



Easy install. Contemporary look. Surface-mounted KALI™ installs on standard junction boxes.

Color: White

Weight: 0.4 lbs

Project:

Type:

Prepared By:

Date:

Driver Info

Type	Constant Current
120V	0.11A
208V	N/A
240V	N/A
277V	N/A
Input Watts	12.10W
Efficiency	99%

LED Info

Watts	12.00W
	2700K (Residential Warm)
Color Temp	
Color Accuracy	91 CRI
L70 Lifespan	50,000
Lumens	943
Efficacy	77.9 LPW

Technical Specifications

Listings

UL Listing:

Suitable for damp locations. For indoor use only.

ENERGY STAR V2.0:

This product is ENERGY STAR® Version 2.0 Certified.

IESNA LM-79 & LM-80 Testing:

RAB LED luminaires and LED components have been tested by an independent laboratory in accordance with IESNA LM-79 and LM-80.

LED Characteristics

Lifespan:

50,000-hour LED lifespan based on IES LM-80 results and TM-21 calculations

LEDs:

Long-life, high-efficiency, surface mount LEDs

Color Stability:

LED color temperature is warranted to shift no more than 200K in CCT over a 5-year period

Color Uniformity:

RAB's range of CCT (Correlated Color Temperature) follows the guidelines of the American National Standard for Specifications for the Chromaticity of Solid State Lighting (SSL) Products, ANSI C78.377-2017.

Electrical

Driver:

Constant Current, Class 2, 50/60 Hz, 120V: 0.11A

Dimming Driver:

Compatible with ELV and TRIAC dimming at 120V. [See dimmer compatibility guide here.](#)

THD:

21.1% at 120V

Power Factor:

97.1% at 120V

Construction

Cold Weather Starting:

The minimum starting temperature is -20°C (-4°F)

Maximum Ambient Temperature:

Suitable for use in 40°C (104°F)

Housing:

Post-painted, die formed aluminum

Lens:

Toolless, twist-and-lock polycarbonate diffusion lens

Mounting:

Mounts to the following junction boxes with mounting screws 3 1/2" on center: 4" octagonal, 2 1/8" deep; 4" round, 2 1/8" deep; 3 1/2" round new construction, 2 3/4" deep; 3 1/2" round remodeler, 2 5/8" deep

Green Technology:

Mercury and UV free. RoHS-compliant components.

Finish:

Chip and fade-resistant polyester powder coat finish

Other

Warranty:

RAB warrants that our LED products will be free from defects in materials and workmanship for a period of five (5) years from the date of delivery to the end user, including coverage of light output, color stability, driver performance and fixture finish. RAB's warranty is subject to all terms and conditions found at rablighting.com/warranty.

Technical Specifications (continued)

Other

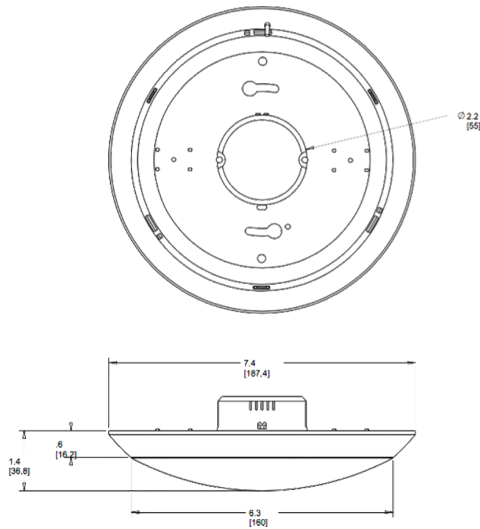
Equivalency :

Equivalent to 60W Incandescent

Buy American Act Compliance:

RAB values USA manufacturing! Upon request, RAB may be able to manufacture this product to be compliant with the Buy American Act (BAA). Please contact customer service to request a quote for the product to be made BAA compliant.

Dimensions



Features

- Quick installation, no housing required
- Reduces energy costs by up to 80%
- TRIAC and ELV dimmable driver
- 5-Year, No-Compromise Warranty

Ordering Matrix

Family	Size	Shape	Wattage	Color Temp	CRI
KLED	6	R	12	YY	HC
	6 = 6" 4 = 4"	R = Round	10 = 10W (4" only) 12 = 12W (6" only)	Y = 3000K (Warm) YY = 2700K (Residential Warm)	HC = High CRI 90