



Color: Bronze

Weight: 32.0 lbs

**Project:**

**Type:**

**Prepared By:**

**Date:**

**Driver Info**

**LED Info**

Type	Constant Current	Watts	105.00W
120V	N/A	Color Temp	4000K (Neutral)
208V	N/A	Color Accuracy	72 CRI
240V	N/A	L70 Lifespan	100,000
277V	N/A	Lumens	12,528
Input Watts	108.00W	Efficacy	116 LPW
Efficiency	97%		

**Technical Specifications**

**Electrical**

**THD:**

15.2% at 480V

**Power Factor:**

90.8% at 480V

**Photocell:**

480V twistlock photocell Included. Photocell is only compatible with 480V.

**Ballast Volts:**

480V

**Surge Protection:**

4kV

**Listings**

**DLC Listed:**

This product is on the Design Lights Consortium (DLC) Qualified Products List and is eligible for rebates from DLC Member Utilities. DLC Product Code: PSS1HEJB

**UL Listing:**

Suitable for wet locations

**IESNA LM-79 & LM-80 Testing:**

RAB LED luminaires and LED components have been tested by an independent laboratory in accordance with IESNA LM-79 and LM-80.

**Dark Sky Conformance:**

Conforms to (allows for conformance to) the IDA's fully shielding requirement, emitting no light above 90 degrees (with the exclusion of incidental light reflecting from fixture housing, mounts, and pole).

**LED Characteristics**

**Lifespan:**

100,000-hour LED lifespan based on IES LM-80 results and TM-21 calculations

**LEDs:**

Multi-chip, high-output, long-life LEDs

**Color Stability:**

LED color temperature is warranted to shift no more than 200K in CCT over a 5-year period

**Color Uniformity:**

RAB's range of CCT (Correlated Color Temperature) follows the guidelines of the American National Standard for Specifications for the Chromaticity of Solid State Lighting (SSL) Products, ANSI C78.377-2017.

**Construction**

**IES Classification:**

The Type II distribution is ideal for wide walkways, on ramps and entrance roadways, bike paths and other long and narrow lighting applications. This type is meant for lighting larger areas and usually is located near the roadside. This type of lighting is commonly found on smaller side streets or jogging paths.

**Effective Projected Area:**

EPA = 0.75

**Maximum Ambient Temperature:**

Suitable for use in 40°C (104°F)

**Cold Weather Starting:**

Minimum starting temperature is -40°C (-40°F)

**Thermal Management:**

Superior thermal management with external "Air-Flow" fins

**Lens:**

Tempered glass lens

## Technical Specifications (continued)

### Construction

#### Housing:

Die-cast aluminum housing, lens frame and mounting arm

#### Mounting:

Universal mounting arm compatible for hole spacing patterns from 1" to 5 1/2" center to center. Round Pole Adaptor plate included as a standard. Easy slide and lock to mount fixture with ease. Round pole diameter must be >4" to mount fixtures at 90° orientation.

#### Reflector:

Specular vacuum-metallized polycarbonate

#### Gaskets:

High-temperature silicone gaskets

#### IP Rating:

Ingress Protection rating of IP66 for dust and water

#### Finish:

Formulated for high durability and long-lasting color

#### Green Technology:

Mercury and UV free. RoHS-compliant components.

#### Other

#### Compatibility:

Compatible with Round Poles with a diameter of 2.5" to 6"

#### Warranty:

RAB warrants that our LED products will be free from defects in materials and workmanship for a period of five (5) years from the date of delivery to the end user, including coverage of light output, color stability, driver performance and fixture finish. RAB's warranty is subject to all terms and conditions found at [rablighting.com/warranty](http://rablighting.com/warranty).

#### Equivalency:

Replaces 320W Metal Halide

#### Buy American Act Compliance:

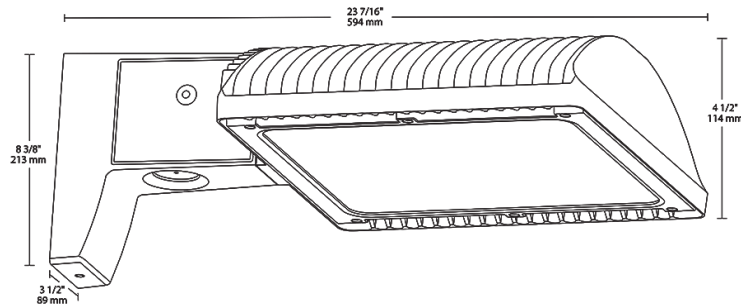
RAB values USA manufacturing! Upon request, RAB may be able to manufacture this product to be compliant with the Buy American Act (BAA). Please contact customer service to request a quote for the product to be made BAA compliant.

#### Optical

#### BUG Rating:

B1 U0 G2

## Dimensions



## Features

- 66% energy cost savings vs. HID
- 100,000-hour LED lifespan
- 5-Year, No-Compromise Warranty

## Ordering Matrix

Family	Optics	Wattage	Mounting	Color Temp	Finish	Driver Options	Options	Other Options
ALED	2T	105		N		/480	/PCT4	
	4T = Type IV 3T = Type III 2T = Type II	50 = 50W 78 = 78W 105 = 105W 125 = 125W 150 = 150W	Blank = Pole mount SF = Slipfitter	Blank = 5000K (Cool) N = 4000K (Neutral) Y = 3000K (Warm)	Blank = Bronze RG = Roadway Gray W = White K = Black	Blank = 120-277V /480 = 480V /BL = Bi-Level Dimming /D10 = 0-10V Dimming	Blank = No Option /LC = Lightcloud® Controller /PCS = 120V Swivel Photocell /PCS2 = 277V Swivel Photocell /PCT = 120-277V Twistlock Photocell /PCS4 = 480V Swivel Photocell /PCT4 = 480V Twistlock Photocell /WS = Multi-Level Motion Sensor /WS2 = Multi-Level Motion Sensor 20 ft. /WS4 = Multi-Level Motion Sensor 40 ft.	Blank = Standard USA = BAA Compliant