



Available in 55W, 65W, 82W, and 110W models with up to 15,531 lumens and 144 LPW. Covered by RAB's 5-year, no-compromise warranty.

Color: Bronze

Weight: 23.4 lbs

**Project:**

**Type:**

**Prepared By:**

**Date:**

### Driver Info

Type	Constant Current
120V	0.7A
208V	0.34A
240V	0.32A
277V	0.3A
Input Watts	81.10W
Efficiency	N/A

### LED Info

Watts	82.00W
Color Temp	5000K (Cool)
Color Accuracy	82 CRI
L70 Lifespan	100,000
Lumens	9,280
Efficacy	114.4 LPW

## Technical Specifications

### Listings

#### UL Listing:

Suitable for wet locations. Wall mount only.

#### IESNA LM-79 & LM-80 Testing:

RAB LED luminaires and LED components have been tested by an independent laboratory in accordance with IESNA LM-79 and LM-80.

#### DLC Listed:

This product is on the Design Lights Consortium (DLC) Qualified Products List and is eligible for rebates from DLC Member Utilities. DLC Product Code: PHEX2A8F

### Optical

#### BUG Rating:

B2 U5 G5

### Construction

#### Thermal Management:

Superior thermal management with die-cast aluminum heatsink

#### Maximum Ambient Temperature:

Suitable for use in 40°C (104°F)

#### Cold Weather Starting:

Minimum starting temperature is -40°C (-40°F)

### Housing:

Precision die-cast aluminum housing

### Mounting:

Die-cast backbox with four (4) conduit entry points and knockout pattern for junction box or direct wall mounting. Hinged door for easy re-assembly.

### Lens:

Prismatic, heat-resistant borosilicate glass

### Reflector:

High-gloss white aluminum

### Gaskets:

High-temperature silicone gaskets

### Finish:

Formulated for high durability and long-lasting color

### Green Technology:

Mercury and UV free. RoHS-compliant components.

### LED Characteristics

#### Lifespan:

60,000-hour LED lifespan based on IES LM-80 results and TM-21 calculations

#### Color Stability:

LED color temperature is warranted to shift no more than 200K in CCT over a 5-year period

#### Color Uniformity:

RAB's range of CCT (Correlated Color Temperature) follows the guidelines of the American National Standard for Specifications for the Chromaticity of Solid State Lighting (SSL) Products, ANSI C78.377-2017.

### Other

#### Warranty:

RAB warrants that our LED products will be free from defects in materials and workmanship for a period of five (5) years from the date of delivery to the end user, including coverage of light output, color stability, driver performance and fixture finish. RAB's warranty is subject to all terms and conditions found at [rablighting.com/warranty](http://rablighting.com/warranty).

#### Buy American Act Compliance:

RAB values USA manufacturing! Upon request, RAB may be able to manufacture this product to be compliant with the Buy American Act (BAA). Please contact customer service to request a quote for the product to be made BAA compliant.

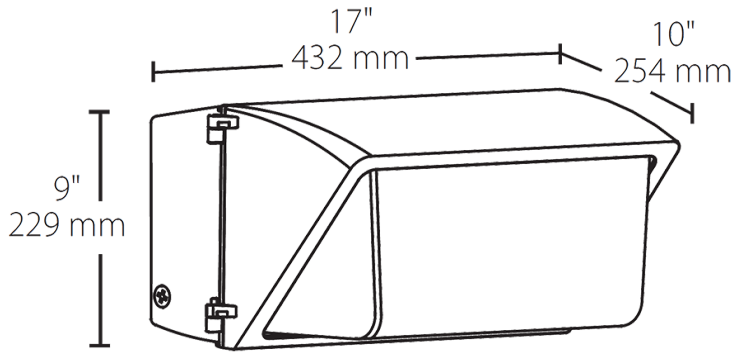
## Technical Specifications (continued)

### Electrical

#### Driver:

Constant Current, Class 2, 1400mA, 50/60 Hz, 100  
- 277V, 4kV surge protection

### Dimensions



### Features

- Affordable wall pack with traditional look
- Covers footprint of traditional HID wall packs
- Optional photocell (button or swivel) available
- 480V models available

## Ordering Matrix

Family	Wattage	Color Temp	Finish	Driver Options	Options
WP3LED	82			/D10	
	55 = 55W 65 = 65W 82 = 82W 110 = 110W	Blank = 5000K (Cool) Y = 3000K (Warm) N = 4000K (Neutral)	Blank = Bronze W = White	Blank = 120-277V /480 = 480V /D10 = 0-10V Dimming /480/D10 = 480V, 0-10V Dimming	Blank = No Option /PC = 120V Button /PCS = 120V Swivel /PC2 = 277V Button /PCS2 = 277V Swivel /PCS4 = 480V Swivel /LC = Lightcloud Control Installed