



Color: Gray

Weight: 32.0 lbs

**Project:**

**Type:**

**Prepared By:**

**Date:**

**Driver Info**

**LED Info**

|             |                  |                |                 |
|-------------|------------------|----------------|-----------------|
| Type        | Constant Current | Watts          | 125.00W         |
| 120V        | 1.12A            | Color Temp     | 4000K (Neutral) |
| 208V        | 0.70A            | Color Accuracy | 71 CRI          |
| 240V        | 0.61A            | L70 Lifespan   | 100,000         |
| 277V        | 0.52A            | Lumens         | 14,373          |
| Input Watts | 132.70W          | Efficacy       | 108.3 LPW       |
| Efficiency  | 94%              |                |                 |

## Technical Specifications

### Electrical

**Driver:**

One Driver, Constant Current, Class 2, 1800mA 100-277V, 50-60Hz, Power Factor 99%

**Dimming Driver:**

Driver includes dimming control wiring for 0-10V dimming systems. Requires separate 0-10V DC dimming circuit. Dims as low as 10%.

**THD:**

5.6% at 120V, 16.1% at 277V

**Power Factor:**

99.4% at 120V, 92.1% at 277V

**Surge Protection:**

4kV

### Listings

**DLC Listed:**

This product is on the Design Lights Consortium (DLC) Qualified Products List and is eligible for rebates from DLC Member Utilities. DLC Product Code: PAMNTSK6

**UL Listing:**

Suitable for wet locations

**IESNA LM-79 & LM-80 Testing:**

RAB LED luminaires and LED components have been tested by an independent laboratory in accordance with IESNA LM-79 and LM-80.

**Dark Sky Conformance:**

Conforms to (allows for conformance to) the IDA's fully shielding requirement, emitting no light above 90 degrees (with the exclusion of incidental light reflecting from fixture housing, mounts, and pole).

### LED Characteristics

**Lifespan:**

100,000-hour LED lifespan based on IES LM-80 results and TM-21 calculations

**LEDs:**

Multi-chip, high-output, long-life LEDs

**Color Stability:**

LED color temperature is warranted to shift no more than 200K in CCT over a 5-year period

**Color Uniformity:**

RAB's range of CCT (Correlated Color Temperature) follows the guidelines of the American National Standard for Specifications for the Chromaticity of Solid State Lighting (SSL) Products, ANSI C78.377-2017.

### Construction

**IES Classification:**

The Type III distribution is ideal for roadway, general parking and other area lighting applications where a larger pool of lighting is required. It is intended to be located near the side of the area, allowing the light to project outward and fill the area.

**Effective Projected Area:**

EPA = 0.75

**Maximum Ambient Temperature:**

Suitable for use in 40°C (104°F)

**Cold Weather Starting:**

Minimum starting temperature is -40°C (-40°F)

**Thermal Management:**

Superior thermal management with external "Air-Flow" fins

**Lens:**

Tempered glass lens

## Technical Specifications (continued)

### Construction

#### Housing:

Die-cast aluminum housing, lens frame and mounting arm

#### Mounting:

Universal mounting arm compatible for hole spacing patterns from 1" to 5 1/2" center to center. Round Pole Adaptor plate included as a standard. Easy slide and lock to mount fixture with ease. Round pole diameter must be >4" to mount fixtures at 90° orientation.

#### Reflector:

Specular vacuum-metallized polycarbonate

#### Gaskets:

High-temperature silicone gaskets

### IP Rating:

Ingress Protection rating of IP66 for dust and water

### Finish:

Formulated for high durability and long-lasting color

### Green Technology:

Mercury and UV free. RoHS-compliant components.

### Optical

#### BUG Rating:

B1 U0 G2

### Other

#### Warranty:

RAB warrants that our LED products will be free from defects in materials and workmanship for a period of five (5) years from the date of delivery to the end user, including coverage of light output, color stability, driver performance and fixture finish. RAB's warranty is subject to all terms and conditions found at [rablighting.com/warranty](http://rablighting.com/warranty).

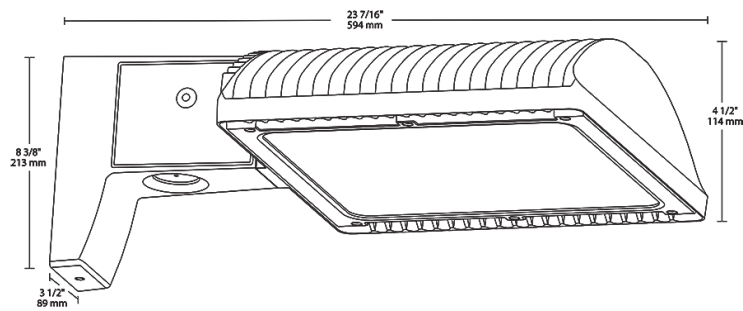
#### Equivalency:

Replaces 350W Metal Halide

#### Buy American Act Compliance:

RAB values USA manufacturing! Upon request, RAB may be able to manufacture this product to be compliant with the Buy American Act (BAA). Please contact customer service to request a quote for the product to be made BAA compliant.

## Dimensions



## Features

- 66% energy cost savings vs. HID
- 100,000-hour LED lifespan
- 5-Year, No-Compromise Warranty

## Ordering Matrix

| Family      | Optics   | Wattage   | Mounting  | Color Temp   | Finish  | Driver Options  | Options   | Other Options   |
|-------------|--|---|---|--|---|---|---|---|
| <b>ALED</b> | <b>3T</b>  | <b>125</b>  |   | <b>N</b>   | <b>RG</b>   | <b>/D10</b>   |   |   |
|             | <b>4T</b> = Type IV<br><b>3T</b> = Type III<br><b>2T</b> = Type II | <b>50</b> = 50W<br><b>78</b> = 78W<br><b>105</b> = 105W<br><b>125</b> = 125W<br><b>150</b> = 150W | <b>Blank</b> = Pole mount<br><b>SF</b> = Slipfitter | <b>Blank</b> = 5000K (Cool)<br><b>N</b> = 4000K (Neutral)<br><b>Y</b> = 3000K (Warm) | <b>Blank</b> = Bronze<br><b>RG</b> = Roadway Gray<br><b>W</b> = White<br><b>K</b> = Black | <b>Blank</b> = 120-277V<br><b>/480</b> = 480V<br><b>/BL</b> = Bi-Level Dimming<br><b>/D10</b> = 0-10V Dimming | <b>Blank</b> = No Option<br><b>/LC</b> = Lightcloud® Controller<br><b>/PCS</b> = 120V Swivel Photocell<br><b>/PCS2</b> = 277V Swivel Photocell<br><b>/PCT</b> = 120-277V Twistlock Photocell<br><b>/PCS4</b> = 480V Swivel Photocell<br><b>/PCT4</b> = 480V Twistlock Photocell<br><b>/WS</b> = Multi-Level Motion Sensor<br><b>/WS2</b> = Multi-Level Motion Sensor 20 ft.<br><b>/WS4</b> = Multi-Level Motion Sensor 40 ft. | <b>Blank</b> = Standard<br><b>USA</b> = BAA Compliant |