



Precision 6H x 4V optics make this 78 Watt slipfitter floodlight a great choice for illuminating large signs and building façades.

Color: Bronze

Weight: 26.6 lbs

**Project:**

**Type:**

**Prepared By:**

**Date:**

**Driver Info**

Type	Constant Current
120V	0.82A
208V	0.53A
240V	0.46A
277V	0.40A
Input Watts	89.30W
Efficiency	87%

**LED Info**

Watts	78.00W
Color Temp	5000K (Cool)
Color Accuracy	70 CRI
L70 Lifespan	100,000
Lumens	9,784
Efficacy	109.6 LPW

## Technical Specifications

**Other**

**CANVAS78SF with Bi-Level Operation:**

Allows 33%-66%-100% output modes

**Patents:**

The design of CANVAS is protected by pending patents in U.S., Canada, China, Taiwan and Mexico.

**Equivalency:**

Replaces 400W Metal Halide

**Warranty:**

RAB warrants that our LED products will be free from defects in materials and workmanship for a period of five (5) years from the date of delivery to the end user, including coverage of light output, color stability, driver performance and fixture finish. RAB's warranty is subject to all terms and conditions found at [rablighting.com/warranty](http://rablighting.com/warranty).

**Buy American Act Compliance:**

RAB values USA manufacturing! Upon request, RAB may be able to manufacture this product to be compliant with the Buy American Act (BAA). Please contact customer service to request a quote for the product to be made BAA compliant.

**Listings**

**UL Listing:**

Suitable for wet locations. Suitable for ground mounting.

**IESNA LM-79 & LM-80 Testing:**

RAB LED luminaires and LED components have been tested by an independent laboratory in accordance with IESNA LM-79 and LM-80.

**DLC Listed:**

This product is on the Design Lights Consortium (DLC) Qualified Products List and is eligible for rebates from DLC Member Utilities. DLC Product Code: P3EFS9QN

**Construction**

**IP Rating:**

Ingress Protection rating of IP66 for dust and water

**Effective Projected Area:**

EPA = 1.2

**Cold Weather Starting:**

Minimum starting temperature is -40°C (-40°F)

**Ambient Temperature:**

Suitable For use in 40°C (104°F)

**Thermal Management:**

Superior thermal management with external Air-Flow fins

**Housing:**

Precision die-cast aluminum housing and door frame

**Mounting:**

2 3/8" slipfitter mount with stainless steel hardware

**Lens:**

Microprismatic diffusion lens for smooth and even light distribution

**Reflector:**

Vacuum-metalized, specular polycarbonate

**Gaskets:**

High-temperature silicone

**Finish:**

Formulated for high durability and long-lasting color

## Technical Specifications (continued)

### Construction

#### Green Technology:

Mercury and UV free. RoHS-compliant components.

### Electrical

#### Drivers:

Constant current, Class 2, 100-277V, 50/60 Hz, 6kV Surge Protection, 720mA, 100-277V: 0.4A, THD <20%, Power Factor 99.2%

#### Note:

All values are typical (tolerance +/- 10%)

### LED Characteristics

#### LEDs:

Multi-chip, high-output, long-life LEDs

#### Lifespan:

100,000-hour LED lifespan based on IES LM-80 results and TM-21 calculations

#### Color Consistency:

7-step MacAdam Ellipse binning to achieve consistent fixture-to-fixture color

### Color Stability:

LED color temperature is warranted to shift no more than 200K in CCT over a 5-year period

### Color Uniformity:

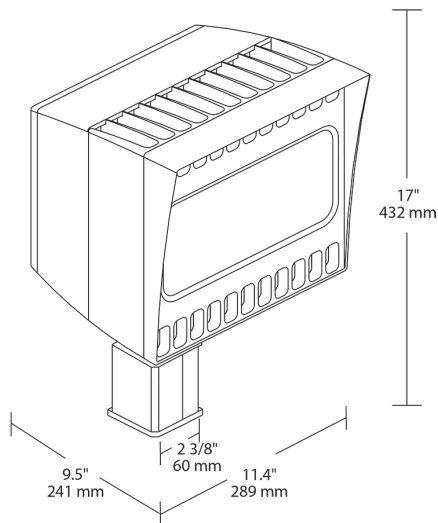
RAB's range of CCT (Correlated Color Temperature) follows the guidelines of the American National Standard for Specifications for the Chromaticity of Solid State Lighting (SSL) Products, ANSI C78.377-2017.

### Optical

#### NEMA Type:

NEMA Beam Spread of 6H x 4V

## Dimensions



## Features

Replaces 250W MH Floodlights

NEMA Type 6H x 4V ideal for signage & facades

Ultra-low field-to-beam ratio concentrates light where it's required

Microprismatic diffusion lens optimizes light output without glare

Superior thermal management with patent-pending "Airflow" technology

100,000-Hour LED lifespan

## Ordering Matrix

Family	Wattage	Mount	Color Temp	Finish	Options
CANVAS	78	SF			/BL
	78 = 78W	SF = Slipfitter T = Trunnion	Blank = 5000K (Cool) Y = 3000K (Warm) N = 4000K (Neutral)	Blank = Bronze W = White	Blank = No Option /BL = Bi-Level <sup>1</sup> /D10 = 0-10V Dimming /PC = 120V Photocell /PC2 = 277V Photocell /PCS = 120V Swivel Photocell /PCS2 = 277V Swivel Photocell

<sup>1</sup> Slipfitter models only