



Replace 200-400W metal halide lamps for high bays. 50,000-hour lifespan. Uses 76% less energy than MH.

Color: White

Weight: 3.4 lbs

Project:

Type:

Prepared By:

Date:

Driver Info

LED Info

Watts	115.00W	Input Voltage	100-277V
Color Temp	5000K (Daylight)	Power Factor	0.9
Lumens	15,800	Flicker	<30%
Efficacy	137.4 LPW	THDi	N/A
Color Accuracy	80 CRI	R9	
L70 Accuracy	50,000		

Technical Specifications

Technical Specifications

Product Type:

HID

Bulb Shape:

High Bay

Wattage:

115W

Wattage Equivalency:

400W HID

Typical Lumen Output:

15800

Efficacy:

137 lm/W

Color Temperature:

5000K Daylight

CRI:

80

Base Type:

EX39

L70 Lifespan:

50,000 hours

Operating Temperature:

-30°C - 60°C

Dimmable:

No

Beam Angle:

120°

Warranty:

5-Year, No-Compromise Warranty

Installation Type:

Type B, Ballast Bypass

Installation Orientation:

Vertical

For Use in Emergency Fixtures:

No

Electrical Characteristics

Input Voltage:

100-277V

Power Factor:

>0.9

Technical Specifications (continued)

Electrical Characteristics

Operating Frequency:

50 / 60 Hz

Input Current @ 120V:

1.27mA

Flicker:

<30%

THDi:

<20%

Listings

UL Listed:

Yes

UL Classified:

Yes

DLC Product Code:

PWMUSA2N

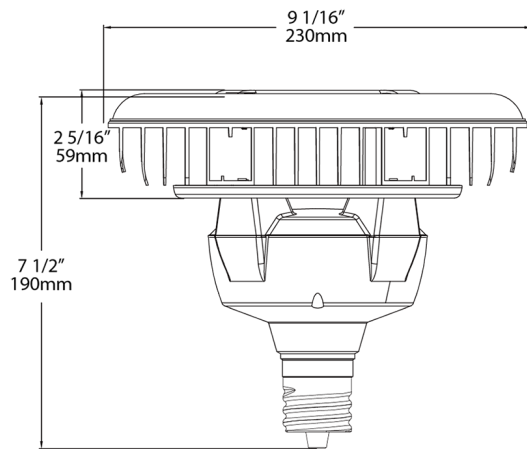
CEC Status:

Lawful for sale in California

DLC Listed:

This product is on the Design Lights Consortium (DLC) Qualified Products List and is eligible for rebates from DLC Member Utilities. DLC Product Code: PWMUSA2N

Dimensions



Features

HID REPLACEMENT - Replace conventional HID lamps

BALLAST BYPASS - Internal driver eliminates the need for external driver or ballast

50,000-HOUR LIFESPAN - Lasts 25x the life of conventional HID lamps

ENERGY SAVINGS - Uses 76% less energy than traditional lamps

HEAT DISSIPATION - Thermal technology extends lifespan

WATER & DUST RESISTANT - Ideal for warehouse applications

ENCLOSED FIXTURE RATED - May be used in enclosed and open fixtures

UPLIGHTING - Ring of LEDs provides 10% uplighting to eliminate "cave effect"

MERCURY FREE - Environmentally friendly

SURGE PROTECTION - Includes 4kV surge protection

Ordering Matrix

Family	Lamp Power	Orientation	Base Type	CRI/Color Temp	Installation Type	Lamp Type
HID	115	V	EX39	850	BYP	HB
	60 = 200W 80 = 320W 115 = 400W	V = Vertical	EX39 = EX39	830 = 3000K 840 = 4000K 850 = 5000K	BYP = Bypass	HB = High Bay