



Rectangular shaped LED floodlight designed to replace 150W Metal Halide. patent-pending "Air-Flow" technology ensures long LED and driver lifespan. Use for building facades lighting, sign lighting, LED landscape lighting and instant-on security lighting.

Color: White

Weight: 14.2 lbs

| | |
|---------------------|--------------|
| Project: | Type: |
| Prepared By: | Date: |

| Driver Info | | LED Info | |
|-------------|------------------|----------------|-----------------|
| Type | Constant Current | Watts | 39W |
| 120V | 0.35A | Color Temp | 4000K (Neutral) |
| 208V | N/A | Color Accuracy | 71 CRI |
| 240V | N/A | L70 Lifespan | 100,000 |
| 277V | N/A | Lumens | 5,651 |
| Input Watts | 42.2W | Efficacy | 133.9 LPW |

Technical Specifications

Electrical

Photocell:

120V Button Photocell Included. Photocell is only compatible with 120V.

Surge Protection:

4kV

Driver:

Constant Current, Class 2, 1050mA, 100-277V, 50/60Hz, 0.6A, Power Factor 99%

Listings

DLC Listed:

This product is on the Design Lights Consortium (DLC) Qualified Products List and is eligible for rebates from DLC Member Utilities.
DLC Product Code: P0000173J

UL Listing:

Suitable For Wet Locations. Suitable for ground mounting.

IESNA LM-79 & LM-80 Testing:

RAB LED luminaires and LED components have been tested by an independent laboratory in accordance with IESNA LM-79 and LM-80.

LED Characteristics

Lifespan:

100,000-hour LED lifespan based on IES LM-80 results and TM-21 calculations

Note:

All values are typical (tolerance +/- 10%)

LEDs:

Two multi-chip, 26Watt high performance LEDs

Color Consistency:

3-step MacAdam Ellipse binning to achieve consistent fixture-to-fixture color

Color Stability:

LED color temperature is warranted to shift no more than 200K in CCT over a 5-year period

Color Uniformity:

RAB's range of CCT (Correlated Color Temperature) follows the guidelines of the American National Standard for (SSL) Products, ANSI C78.377-2017.

Construction

IP Rating:

Ingress Protection rating of IP66 for dust and water

Ambient Temperature:

Suitable For use in 40°C (104°F)

Cold Weather Starting:

Minimum starting temperature is -40°C (-40°F)

Thermal Management Housing:

Superior heat sinking with external Air-Flow fins

Mounting:

Heavy-duty slipfitter for 2 3/8" OD pipe

Effective Projected Area:

EPA = 0.75

Reflector:

Specular vacuum-metallized polycarbonate

Technical Specifications (continued)

Construction

Gaskets:

High-temperature silicone gaskets

Finish:

Formulated for high durability and long-lasting color

Green Technology:

Mercury and UV free. RoHS-compliant components.

Threaded Size:

1/2" threaded arm

Optical

NEMA Type:

NEMA Beam Spread of 7H x 6V

Other

Warranty:

RAB warrants that our LED products will be free from defects in materials and workmanship for a period of five (5) years from the date of delivery to the end user, including coverage of light output, color stability, driver performance and fixture finish. RAB's warranty is subject to all terms and conditions found at www.rablighting.com/legal#warranty

Patents:

The FFLED design is protected by U.S. Pat. D643,147, Canada Pat. 140798, China Pat. ZL201130171304.1, Mexico Pat. 36757 and pending patent in Taiwan.

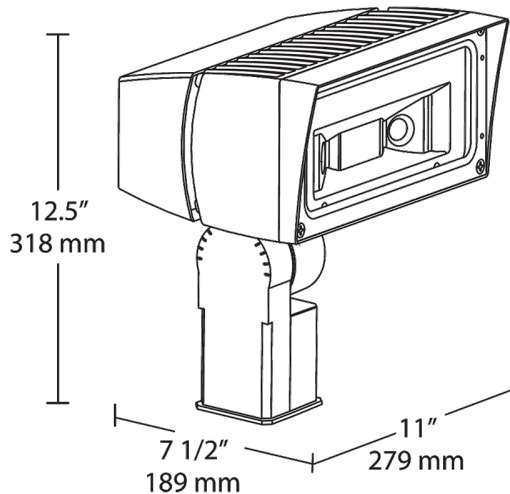
Equivalency:

Equivalent to 150W Metal Halide

Buy American Act Compliance:

RAB values USA manufacturing! Upon request, RAB may be able to manufacture this product to be compliant with the Buy American Act (BAA). Please contact customer service to request a quote for the product to be made BAA compliant.

Dimensions



Features

Ultra-efficient LED and optical design

Replaces 150W MH floodlights

100,000-hour life based on LM-80 results and TM-21 calculations

"Air-Flow" technology heatsink

5-Year, No-Compromise Warranty

Ordering Matrix

| Family | Wattage | Mounting | Color Temp | NEMA Type | Finish | Driver | Photocell Options | Other Options |
|--------|----------|---------------------------------|----------------------|-----------------|----------------|---|--|---------------------|
| FFLED | 39 | SF | N | | W | | /PC | |
| | 18 = 18W | Blank = Swivel Arm | Blank = 5000K (Cool) | Blank = 7H x 6V | Blank = Bronze | Blank = On/Off /D10 = 0-10V Dimming | Blank = No Option /PC = 120V Photocell | USA = BAA Compliant |
| | 26 = 26W | SF = Slipfitter T = Trunnion | N = 4000K (Neutral) | B55 = 5H x 5V | W = White | /480 = 480V On/Off (not available for 80W models) | /PC2 = 277V Photocell /PCS = 120V Swivel Photocell | Blank = Standard |
| | 39 = 39W | | Y = 3000K (Warm) | B44 = 4H x 4V | | | /PCS2 = 277V Swivel Photocell /PCS4 = 480V Swivel Photocell | |
| | 52 = 52W | | | | | | | |
| | 80 = 80W | | | | | | | |