



Meets California Title 24 standards. Must be turned on manually, but shuts off automatically. Full 180° view covers 1000 sq. ft. Works with electronic ballasts. Can be wired in parallel. LED indicator, wallplate supplied. Can also be used as a ceiling sensor. Must have hot, common & ground wires in box.

Color: White

Weight: 0.3 lbs

Project:	Type:
Prepared By:	Date:

Technical Specifications

Listings

UL Listing:

Indoor applications Smart Box & Tuff Dome Wet locations.

Construction

Compatibility:

Compatible with most electronic ballasts. Not compatible with instant start ballasts. Can be wired in parallel.

Electrical

Maximum Energy Savings:

Must be turned on manually, but shuts off automatically.

Incandescent & Fluorescent Watts Switched:

800 watts @ 120 volts, 1200 watts @ 277 volts.

Ratings:

6.7 amps at 120 volts, 4.3amps @ 277 volts.

Power Consumption:

Negligible

Manual Switch:

On - Manual on - Auto off.

Wiring:

Hot & common, no ground required.

Optical

Coverage Area:

1000sf

Sensor Characteristics

Time Delay:

8 seconds to 15 minutes.

Ambient Light Sensing:

n/a

Detection:

180° view covers 1000 sq. feet.

Other

Adjustments:

Time

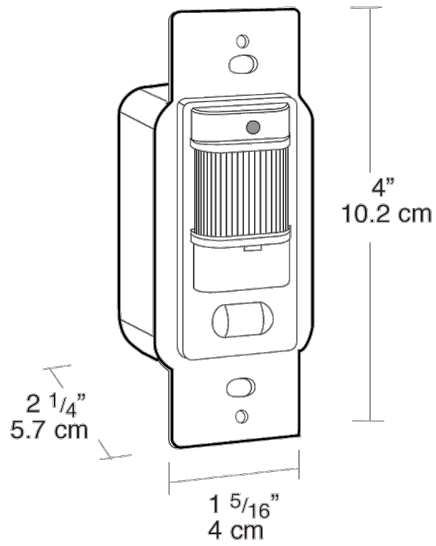
California Title 24:

LVS800 complies with California Title 24 building and electrical codes.

Buy American Act Compliance:

RAB values USA manufacturing! Upon request, RAB may be able to manufacture this product to be compliant with the Buy American Act (BAA). Please contact customer service to request a quote for the product to be made BAA compliant.

Dimensions



Features

- Full 180° view
- LED detection indicator
- Tough, vandal resistant lens
- Fits decorator wall plates
- Control panel cover only removable with wall plate to prevent tampering
- Manual off/auto switch
- Vandal proof sensor for schools, gyms and high abuse areas