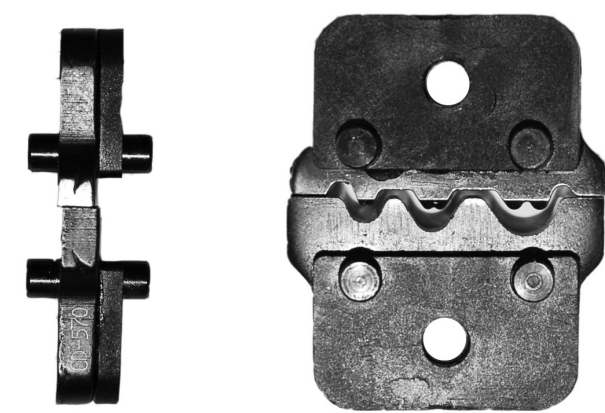
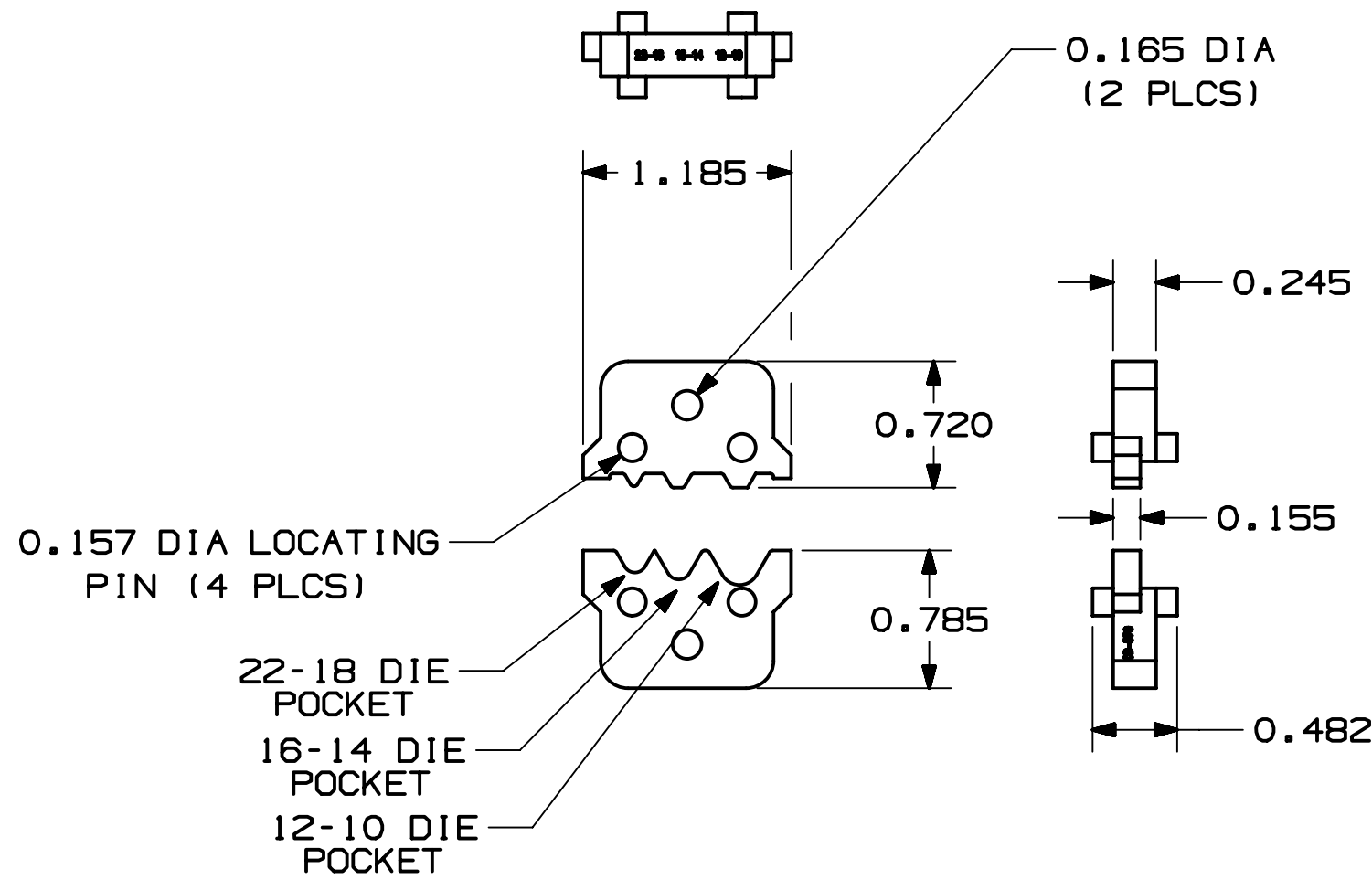


NOTES, UNLESS OTHERWISE SPECIFIED:

1. PART MUST BE RoHS COMPLIANT.
2. PANDUIT PART #: CD-570
3. DIE SET TO BE LUBRICATED TO PREVENT CORROSION IN TRANSIT.
4. DIE INSERT SET WEIGHT: 1.99 OZ. (55.33 GRAMS)
5. CT-2570CH or CD-570

DIE INSERT OR CRIMPING HEAD (NOT SHOWN) FOR INSTALLING MOST OF THE FOLLOWING PANDUIT PRODUCTS:
 #22-#10 AWG (0.5-6.0MM²) NON-INSULATED TERMINALS, DISCONNECTS; AND SPECIFIC NON-INSULATED SPLICES.

6. DIE INSERT AND/OR THE CRIMPING HEAD (NOT SHOWN) INSTALLATION INSTRUCTIONS CAN BE FOUND AT www.PANDUIT.COM. SEARCH FOR CT-2525CH, CT-2550CH, CT-2570CH, CT-2500CH, CD-525, CD-550 OR CD-570.
7. USED IN CT-2300 SERIES TOOLS, CT-2500CH AND CT-2570CH CRIMP HEADS.



| POCKET SIZE | SHUT HT. PIN DIA mm [IN] |
|-------------------|----------------------------|
| 0.5-1.5 [22-18] | 1.53-1.33 [.060-.052] |
| 1.5-2.5 [16-14] | 2.09-1.89 [.082-.074] |
| 4.0-6.0 [12-10] | 2.75-2.55 [.108-.100] |

NOTE: PIN DIAMETER BASED UPON DIES BEING FULLY CLOSED

| REV | DATE | BY | CHK | APR | DESCRIPTION | ECN |
|-----|------------|-----|------|------|-------------|--------|
| 00 | 10-28-2019 | JEH | BJPU | JADE | RELEASED | 053328 |

| | |
|---|----------------------|
| TITLE CUST DWG, CD-570 DIE SET | |
| CUSTOMER DRAWING | |
| ITEM REVISION NAME R29573BA/00 | PANDUIT |
| DATASET FILE NAME R29573BA/00_DS_TP29573B01 | |
| UNLESS OTHERWISE SPECIFIED, DIMENSIONAL TOLERANCES ARE: IN [mm] | |
| .x ± .1 [2.54] | .xxx ± .005 [.127] |
| .xx ± .01 [.25] | ANGLES ± 1° |
| THIRD ANGLE PROJECTION | |
| DRAWN BY JEH | DATE 10-28-2019 |
| CHK BJPU | SCALE NONE |
| DRAWING NUMBER: TP29573B01 | |
| SHT 1 OF 1 | |
| SIZE B | |