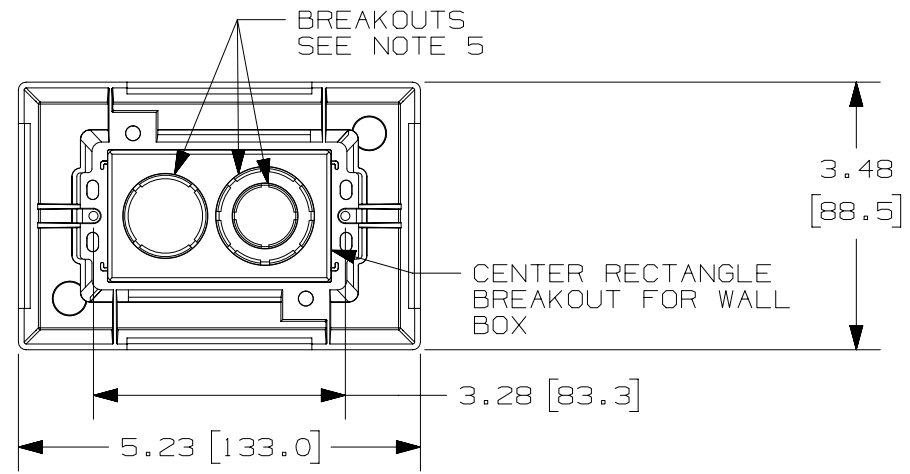
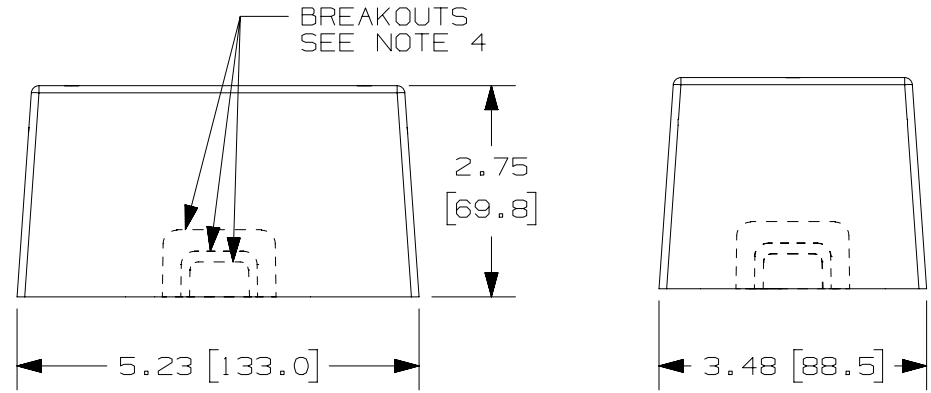


THIS COPY IS PROVIDED ON A RESTRICTED BASIS AND IS NOT TO BE USED IN ANY WAY DETRIMENTAL TO THE INTERESTS OF PANDUIT CORP.

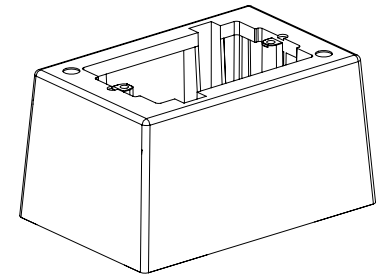
NO WARRANTY, EXPRESSED OR IMPLIED, IS MADE BY PANDUIT WITH RESPECT TO ADHESIVE BOND PERFORMANCE. AMONG OTHER THINGS, THE CONDITIONS UNDER WHICH THESE MOUNTS MAY BE APPLIED AND/OR THE SURFACE TO WHICH THEY MAY BE APPLIED ARE BEYOND PANDUIT CONTROL.

PANDUIT PART NUMBER	WEIGHT/PC	VOLUME cu. in./cc
JB1D-A	0.25 lb [114.2 G]	39.3 [644]



NOTES:

1. SEE WWW.PANDUIT.COM FOR ADDITIONAL PART SUFFIXES TO INDICATE COLOR AND OR PACKAGE QUANTITY.
2. ADHESIVE PRESSURE SENSITIVE FOAM .040 (1.0) THICK WITH PROTECTIVE LINER IS PROVIDED FOR EASE OF MOUNTING.
3. DIMENSIONS IN PARENTHESIS ARE IN METRIC.
4. BREAKOUTS ARE PROVIDED FOR LDS, LD AND LDPH RACEWAYS.
5. BREAKOUTS TO ACCOMODATE CONDUIT SIZES OF 1/2", 3/4" & 1" DIAMETERS.



PART NUMBER		SEE TABLE		
TITLE				
ONE PIECE JUNCTION BOX				
CUSTOMER DRAWING				
ITEM REVISION NAME		D35541DP/04		
DATASET FILE NAME		D35541DP_DC_JB1D/04A		
		THIRD ANGLE PROJECTION		
MATERIAL		ABS		
DRAWING NUMBER		35541 - 54		
DRAWN BY	DATE	CHK	SCALE	SIZE
PM	10-15-96	CEF	NONE	A
SHEET 1 OF 1				

A-SIZE CUSTOMER

04A	04-18-23	BJN	BSN	TAM	MADE UNITS LOWER CASE; NOTE 1: MADE WWW.PANDUIT.COM ABS WAS POLYSTYRENE	M09000TA
REV	DATE	BY	CHK	APR	DESCRIPTION	ECN