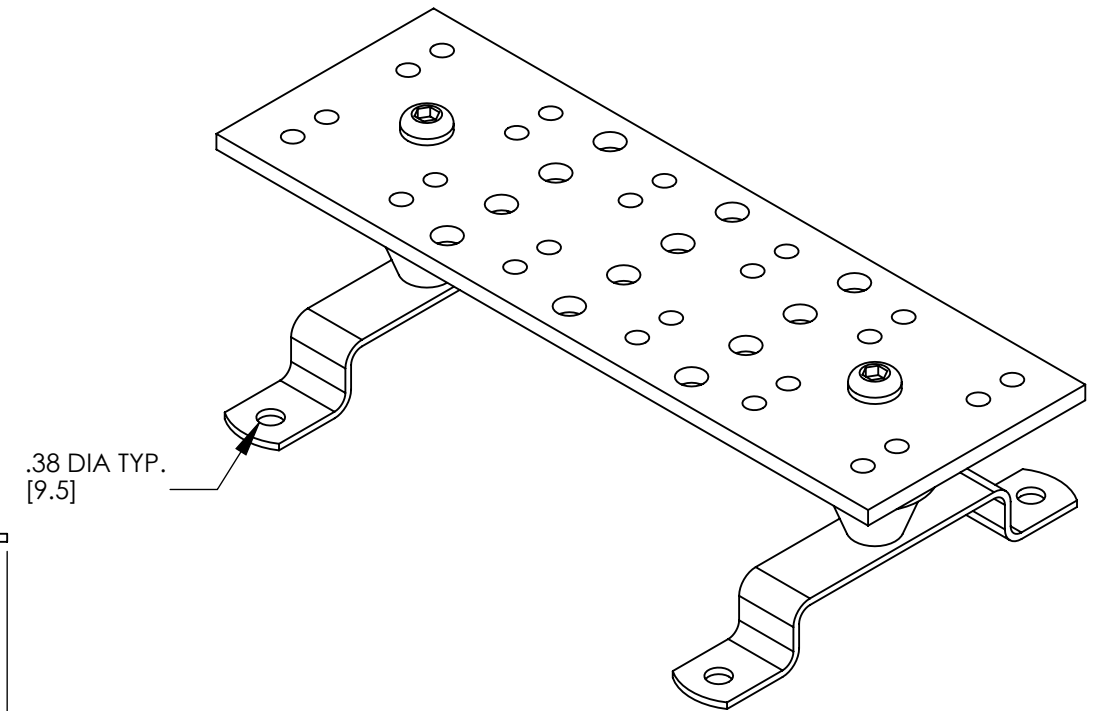
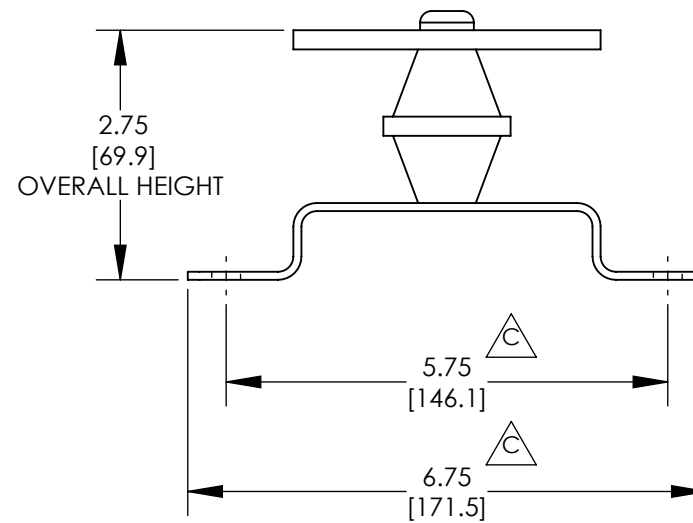
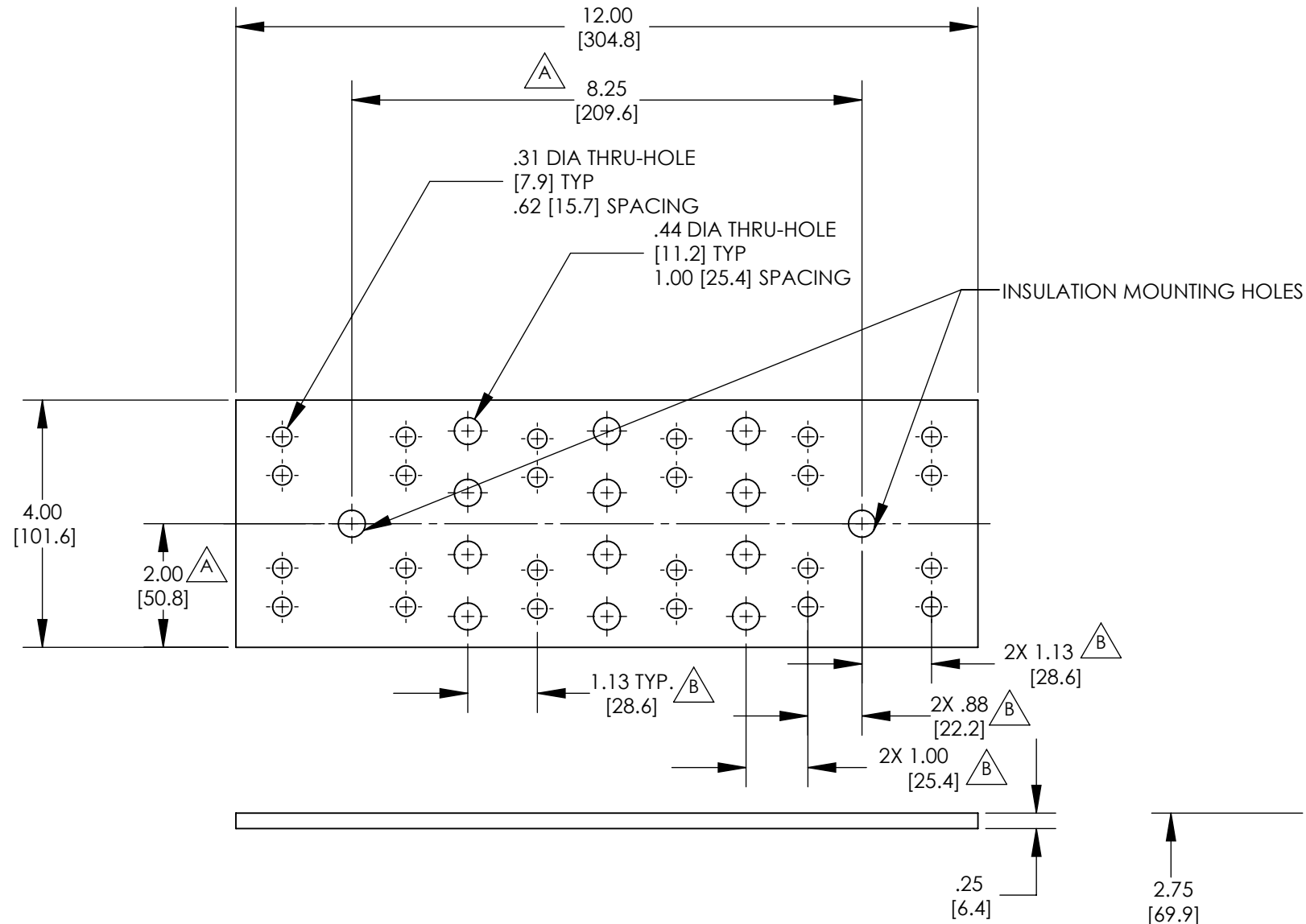


THIS COPY IS PROVIDED ON A RESTRICTED BASIS AND IS NOT TO BE USED IN ANY WAY DETRIMENTAL TO THE INTERESTS OF PANDUIT CORP.

NOTES:

1. KIT COMES FULLY ASSEMBLED
2. KIT INCLUDES BUSBAR, MOUNTING BRACKETS, INSULATORS, AND MOUNTING HARDWARE.
3. MEETS BICSI/ANSI/TIA-607-D
4. DIMENSIONS IN PARENTHESIS ARE MILLIMETERS.



ASSEMBLED AS SHOWN

REV	DATE	BY	CHK	APR	DESCRIPTION	ECN	TITLE	ITEM REVISION NAME	DATASET FILE NAME	MATERIAL	DRAWING NUMBER	SHEET	SIZE
							GROUNDING BUSBAR (GB4B0612TPI) CUSTOMER DRAWING	N41502BA/09	C41502 r09.SLDDRW	SEE NOTES	C41502	1 OF 1	B
09	10/22	JHNU	JHNU	JADE	C. ADDED MOUNTING BRACKET DIMENSIONS B. ADDED HOLE SPACING DIMENSIONS	126787	UNLESS OTHERWISE SPECIFIED, DIMENSIONAL TOLERANCES ARE: IN [mm] .X ± .XXX ± .XX ± ANGLES ±						
08	8/22	JHNU	JHNU	ALP	A. ADDED MOUNTING HOLE DISTANCE DIMENSIONS	125516							
07	3/22	JHNU	JHNU	ALP	REVISED NOTE 3: MEETS BICSI/ANSI/TIA-607-D WAS MEETS BICSI/J-STD-607-A	119913							
06	3/13	JHNU	JHNU	RGB	REVISED TITLE BLOCK	N41502BA-C41502							
							THIRD ANGLE PROJECTION						
							DRAWN BY	DATE	CHK	SCALE			
							JHNU	2/05		NONE			