

PatchRunner™ 2 Vertical Cable Managers

specifications

The vertical cable manager shall consist of a metal backbone with cable management fingers that align with EIA rack spacing. The fingers shall be molded out of plastic and provide integral bend radius control throughout the entire length. The backbone shall have pass through holes for front to back cabling, with the option to blank off with a plug. The manager shall accept a metal, hinged, push-to-close door that can open to the right or left. The door support brackets shall be integrated into the manager with no assembly required. The manager shall accept plastic slack management spools that can be repositioned as required. The vertical panel shall be able to manage all the cable on the rack without the aid of horizontal cable managers.



key features and benefits

NEW Improved door function:	"Push-to-close" door design allows for easy operation
NEW Dual-hinged doors are included:	Doors ship with managers, simplifying ordering process with less packaging waste
NEW Integrated door brackets:	No brackets to install; faster installation while reducing labor costs
NEW Color options:	Managers and doors are available in black and white
NEW High-density with increased cable capacity:	Up to 17% more usable capacity over existing PRV Vertical Managers
Curved fingers:	Support cables as they transition to vertical pathway eliminating need for horizontal managers
Individual fingers:	Aligns with rack spaces to simplify cable routing changes
Integral bend radius control:	Maintains cable bend radius ensuring network performance and system reliability
Optional snap on vertical retainers:	Can be placed on fingers to help retain cables in channel for improved cable management and appearance
Optional slack management spools:	Organize and manage patch cord slack allowing for standardization of patch cord lengths

applications

PatchRunner 2 Vertical Cable Managers are designed to manage high-density networking equipment in up to half the area required by traditional cable management systems. Molded cable management fingers with integral bend radius control combine with angled patch panels to eliminate the need for horizontal cable managers. This frees up rack space for additional patch panels, active equipment, or cable pathways and reduces the number of racks that may be required for the network layout. Less square footage combined with fewer components results in significant cost savings. When used with connectivity solutions, patch cords, and racks the user receives a complete cable management solution, maximizing density while minimizing required network space.

Vertical Cable Managers with Doors

Dual-sided with two doors:	PR2VD**+^
Dual-sided with one door:	PR2VSD**+^
Single-sided with one door:	PR2VFD**+^

Standard EIA Racks

2-post aluminum rack with #12-24 threaded rails:	R2P+^
4-post steel rack with #12-24 threaded rails:	R4P+^
4-post steel rack with cage nut rails:	R4PCN+^

Accessories

7" front slack management spool:	PRSP7
5" rear slack management spool:	PRSP5
End panel:	PR2VEP+^
Single-sided End Panel:	PR2VFEP
Cable Retainer:	WR5E-X
Waterfall for use with 2-post, 4-post rack, and PR2V managers:	PR2VWF^
Pass-through hole blanking plugs (kit of five plugs):	PR2VBPK
Pass-through bend radius grommets (kit of five grommets):	PR2VGK
15 RU finger section replacement kit:	PR2VRFK15^
6 RU finger section replacement kit:	PR2VRFK6^
Rear gate system kits (for use with single-sided managers):	PR2VRGSK**
PDU Brackets:	PR2VPDUB

+For parts 6.5' tall, add "79" to the end of the part number. For part numbers 8' tall, add "96" to the end of the part number. Ex: R2P96

^For part numbers in white, add "WH" to end of part number. Ex: R2P96WH

**For part widths, add 06 (6"), 08 (8"), 10 (10") or 12 (12"). Ex: PR2VD0679WH

6.5' tall parts are only available in 06 and 12 widths.

PatchRunner™ 2 Vertical Cable Managers

technical information

6.5' managers and doors

Part Number	RU	Height In. (mm)	Width In. (mm)	Depth In. (mm)
Dual-Sided				
PR2VD0679	42	78.9 (2003)	6.0 (152)	20.7 (526)
PR2VD1279	42	78.9 (2003)	12.0 (305)	20.7 (526)
Single-Sided				
PR2VFD0679	42	78.9 (2003)	6.0 (152)	12.0 (305)
PR2VFD1279	42	78.9 (2003)	12.0 (305)	12.0 (305)

7' managers and doors

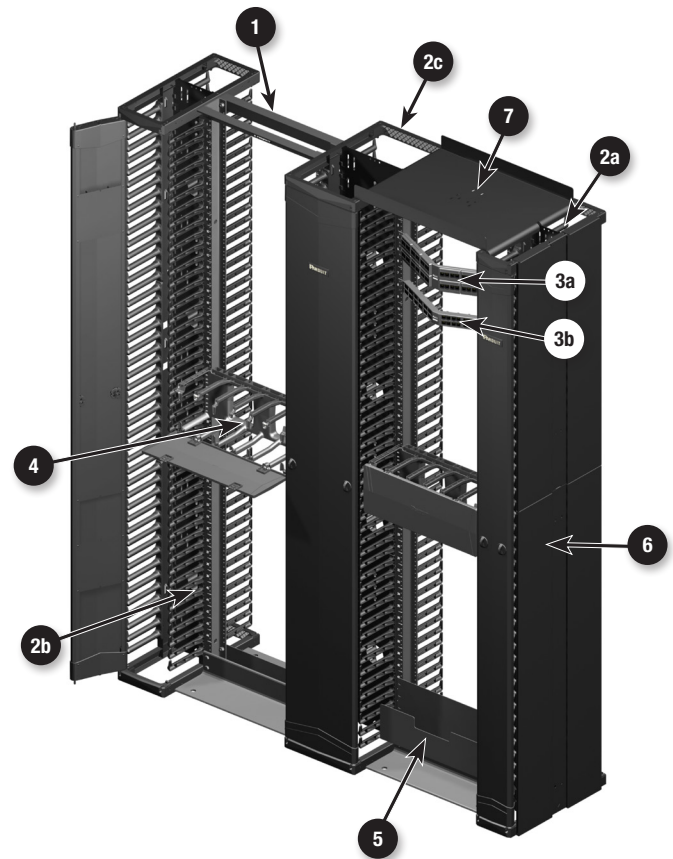
Part Number	RU	Height In. (mm)	Width In. (mm)	Depth In. (mm)
Dual-Sided				
PR2VD06^	45	83.9 (2130)	6.0 (152)	20.7 (526)
PR2VD08^	45	83.9 (2130)	8.0 (203)	20.7 (526)
PR2VD10^	45	83.9 (2130)	10.0 (254)	20.7 (526)
PR2VD12^	45	83.9 (2130)	12.0 (305)	20.7 (526)
Single-Sided				
PR2VFD06^	45	83.9 (2130)	6.0 (152)	12.0 (305)
PR2VFD08^	45	83.9 (2130)	8.0 (203)	12.0 (305)
PR2VFD10^	45	83.9 (2130)	10.0 (254)	12.0 (305)
PR2VFD12^	45	83.9 (2130)	12.0 (305)	12.0 (305)

^For part numbers in white, add "WH" to end of part number. Ex: R2P96WH

8' managers and doors

Part Number	RU	Height In. (mm)	Width In. (mm)	Depth In. (mm)
Dual-Sided				
PR2VD0696^	52	95.9 (2435)	6.0 (152)	20.7 (526)
PR2VD0896^	52	95.9 (2435)	8.0 (203)	20.7 (526)
PR2VD1096^	52	95.9 (2435)	10.0 (254)	20.7 (526)
PR2VD1296^	52	95.9 (2435)	12.0 (305)	20.7 (526)
Single -Sided				
PR2VFD0696^	52	95.9 (2435)	6.0 (152)	12.0 (305)
PR2VFD0896^	52	95.9 (2435)	8.0 (203)	12.0 (305)
PR2VFD1096^	52	95.9 (2435)	10.0 (254)	12.0 (305)
PR2VFD1296^	52	95.9 (2435)	12.0 (305)	12.0 (305)

^For part numbers in white, add "WH" to end of part number. Ex: R2P96WH



1. R2P – 19" Standard EIA Rack 19" x 7", 45 R

PatchRunner 2 Vertical Cable Managers and Doors

- 2a. PR2VD06 – 6" wide
- 2b. PR2VD08 – 8" wide
- 2c. PR2VD12 – 12" wide U

Angled Modular Patch Panels

- 3a. CPPLA48WBLY – 2 RU, 48-port
- 3b. CPPA48HDWBLY – 1 RU, High-density 48-port

Cable Management Accessories

- 4. PR2HF4 – Cable Manager, 4 RU
- 5. CMT4 – Trough, 4 RU
- 6. PR2VEP – End Panel
- 7. PR2VWF – Waterfall

WORLDWIDE SUBSIDIARIES AND SALES OFFICES

PANDUIT US/CANADA
Phone: 800.777.3300

PANDUIT EUROPE LTD.
London, UK
Phone: 44.20.8601.7200

PANDUIT SINGAPORE PTE. LTD.
Republic of Singapore
Phone: 65.6305.7575

PANDUIT JAPAN
Tokyo, Japan
Phone: 81.3.6863.6000

PANDUIT LATIN AMERICA
Guadalajara, Mexico
Phone: 52.33.3777.6000

PANDUIT AUSTRALIA PTY. LTD.
Victoria, Australia
Phone: 61.3.9794.9020

For a copy of Panduit product warranties, log on to www.panduit.com/warranty

For more information

Visit us at www.panduit.com
Contact Customer Service by email: cs@panduit.com
or by phone: 800.777.3300

PANDUIT®

© 2023 Panduit Corp.
ALL RIGHTS RESERVED.
RKSP172-WW-ENG
3/2023