

#### Compatible With:

P24B29M	P24B32M
P24D30M	P24D33M
P48B31M	P48B33M
P48B45M	P48D32M
P48D35M	P48D44M
P48E10M	P48E13M
P48F09M	P48F19M
P48G09M	P48G21M

#### Required Tool:

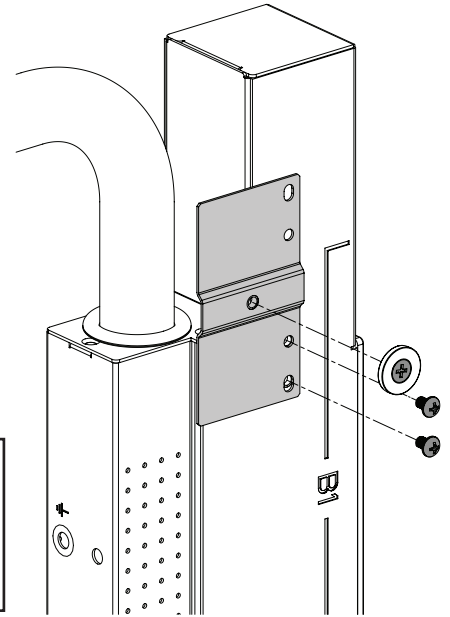
 Phillips PH2

**Step 1:** Remove mounting buttons from PDU, and install on PDU Mounting Brackets using (1) M4 flat head screw each (supplied). Torque to 19 ±3.0 in·lb [2.2 ±0.3 N·m].

**Step 2:** Install each PDU Mounting Bracket with (2) M4 button head screws (supplied), with button oriented towards top of cabinet when PDU will be installed. Torque to 19 ±3.0in·lb [2.2 ±0.3 N·m].

#### Contents:

(2) Dual-sided PDU Mounting Bracket Adapters  
(4) M4 x 0.5 Button Head screws  
(2) M4 x 0.7 Flat Head screws



For Instructions in Local Languages and Technical Support:

[www.panduit.com/resources/install\\_maintain.asp](http://www.panduit.com/resources/install_maintain.asp)

# PANDUIT

[www.panduit.com](http://www.panduit.com)

E-mail: [techsupport@panduit.com](mailto:techsupport@panduit.com)

Phone: 866-405-6654



#### Compatible With:

P24B29M	P24B32M
P24D30M	P24D33M
P48B31M	P48B33M
P48B45M	P48D32M
P48D35M	P48D44M
P48E10M	P48E13M
P48F09M	P48F19M
P48G09M	P48G21M

#### Required Tool:

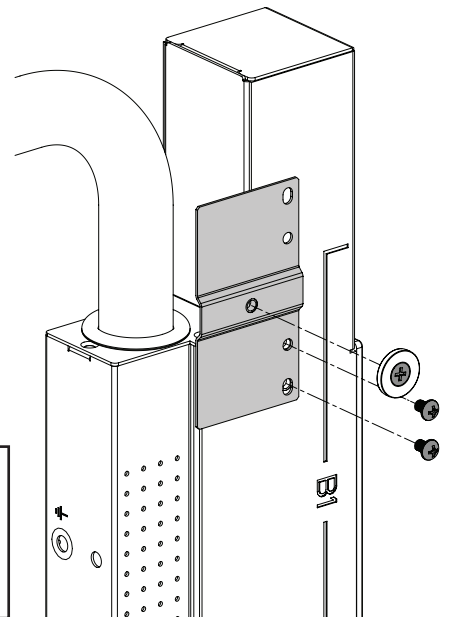
 Phillips PH2

**Step 1:** Remove mounting buttons from PDU, and install on PDU Mounting Brackets using (1) M4 flat head screw each (supplied). Torque to 19 ±3.0 in·lb [2.2 ±0.3 N·m].

**Step 2:** Install each PDU Mounting Bracket with (2) M4 button head screws (supplied), with button oriented towards top of cabinet when PDU will be installed. Torque to 19 ±3.0in·lb [2.2 ±0.3 N·m].

#### Contents:

(2) Dual-sided PDU Mounting Bracket Adapters  
(4) M4 x 0.5 Button Head screws  
(2) M4 x 0.7 Flat Head screws



For Instructions in Local Languages and Technical Support:

[www.panduit.com/resources/install\\_maintain.asp](http://www.panduit.com/resources/install_maintain.asp)

# PANDUIT

[www.panduit.com](http://www.panduit.com)

E-mail: [techsupport@panduit.com](mailto:techsupport@panduit.com)

Phone: 866-405-6654