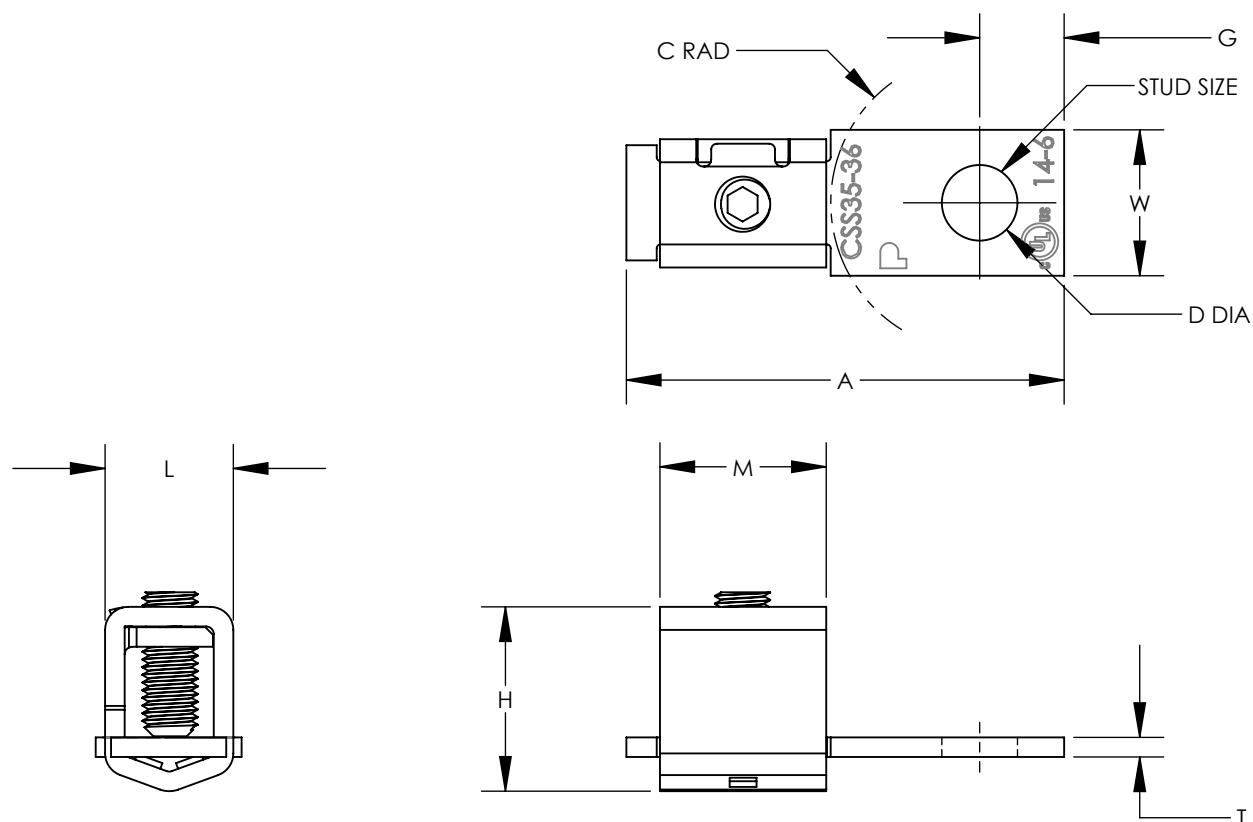
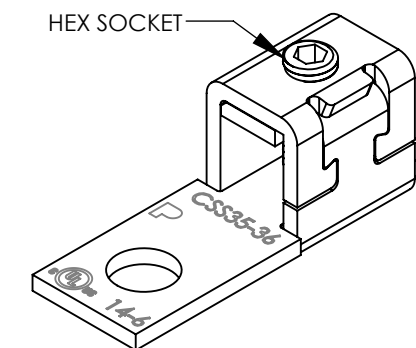


NOTES:

1. MATERIAL:  
BODY - COPPER  
SCREW - STEEL, ZINC PLATED
2. TWO PIECE FLOATING TONGUE ASSEMBLY.
3. cULus LISTED FOR USE UP TO 600V AND TEMPERATURE RATED 90 °C
4. RATED FOR USE WITH COPPER STRANDED CODE CONDUCTOR ONLY
5. THESE PARTS ARE RoHS COMPLIANT
6. PKG. QTY.: L = 50  
C = 100



PANDUIT PART NUMBER	STRANDED COPPER WIRE RANGE	SCREW TORQUE IN-LB [N.m]	STUD SIZE (IN)	DIMENSIONS - IN [mm] ± .03 [0.8]									SCREW STYLE
				D DIA	G	W	A	M	T	H	L	C (REF.)	
CSS35-36-C	14 AWG - 6 AWG	13 IN-LB [1.5 N.m]	3/16"	0.20 [5.0]	0.22 [5.6]	0.39 [9.9]	1.18 [30.0]	0.47 [11.9]	0.06 [1.5]	0.55 [14.0]	0.36 [9.1]	0.39 [9.9]	5/64" HEX SOCKET
CSS35-14-C	14 AWG - 6 AWG	13 IN-LB [1.5 N.m]	1/4"	0.26 [6.6]	0.26 [6.6]	0.50 [12.7]	1.24 [31.5]	0.47 [11.9]	0.06 [1.5]	0.55 [14.0]	0.36 [9.1]	0.41 [10.4]	5/64" HEX SOCKET
CSS70-14-L	8 AWG - 2 AWG	8 AWG = 20 IN-LB [2.3 N.m] 6 AWG = 23 IN-LB [2.6 N.m] 4-2 AWG = 35 IN-LB [4.0 N.m]	1/4"	0.26 [6.6]	0.25 [6.4]	0.50 [12.7]	1.53 [38.8]	0.53 [13.5]	0.08 [2.1]	0.65 [16.6]	0.46 [11.6]	0.58 [14.7]	1/8" HEX SOCKET



REV	DATE	BY	CHK	APR	DESCRIPTION	ECN
02	3/21	JHNU	TMR	JADE	REVISED PACKAGING CODE: CSS70-14-L WAS CSS70-14-C	098745
01	3/21	JHNU	TMR	JADE	CSS70-14-C RELEASED, CSS125-14-Q REMOVED	098721
00	10/20	JHNU	TMR	RGB	DRAWING RELEASED	089914

TITLE <b>CSS SERIES COPPER MECHANICAL LUGS</b>	
CUSTOMER DRAWING	
ITEM REVISION NAME	14J226CQ/02
DATASET FILE NAME	14J226CQ-DC/02.SLDDRW
UNLESS OTHERWISE SPECIFIED, DIMENSIONAL TOLERANCES ARE: IN [mm]	
.X ±	.XXX ±
.XX ±	ANGLES ±
THIRD ANGLE PROJECTION	
DRAWN BY	JHNU
DATE	10/20
CHK	RGB
SCALE	N/A
DRAWING NUMBER 14J226CQ-DC	
SHEET 1 OF 1	
SIZE	B



SEE NOTES