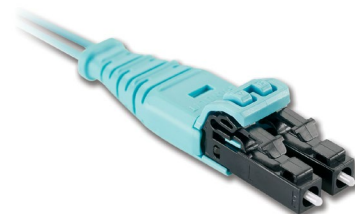


Opti-Core® Push-Pull LC Duplex Fiber Optic Patch Cords

technical information

The Opti-Core® Push-Pull LC Duplex Fiber Optic Patch Cords contain a custom push-pull strain relief boot and duplex clip, which allows users easy accessibility when deploying very high density LC patch fields in data center applications.

These patch cords are available in both riser (OFNR) and low smoke zero halogen (LSZH) rated jacket materials along with OM1, OM3, OM4, OM4+ Signature Core™, OM5, and OS2 fiber types to meet the demands of today's high speed applications.



application

Provide interconnect and cross-connect of applications in entrance facilities, telecommunication rooms, data centers, at the desk and network applications to interconnect pre-terminated cassettes in main distribution, horizontal distribution, and equipment distribution areas.

construction

Fiber count:	Duplex (2-fiber) jacketed zipcord
Cable jacket ratings:	Riser (OFNR) Low Smoke Zero Halogen (LSZH)
Fiber types:	Singlemode: OS2 Multimode: OM3 OM4 OM4+ Signature Core™ OM5
Connector types, End 'A':	Duplex LC
Connector types, End 'B':	Duplex LC
Jacket color:	OS2: Yellow OM3: Aqua OM4: Aqua OM4+ Signature Core™: Aqua OM5: Lime Green

optical properties

Connector insertion loss (IL):	Standard: 0.15 dB max (OM3, OM4, OM5) 0.25dB (OS2) Ultra: 0.10 dB max (OM4, OM4+, OM5)
Connector return loss (RL):	26dB min (Multimode fiber) 55dB min (Singlemode fiber)

Note: OM4+ Signature Core™ and OM5 fibers are 100% standards compliant meeting all OM3 and OM4 specifications. The actual supported reach also depends on the electrical and optical characteristics of the VCSEL transceiver.

OM4+ Signature Core™ provides on average 20% longer reach than OM4 defined standard for all applications using Ethernet, Fibre Channel and Cisco BiDi technologies.

OM5 includes additional bandwidth characterization at 953nm to support extended distances when using SWDM.

For more information, visit www.panduit.com/signature-core

physical properties

Cable outside diameter (OD):	1.6mm duplex
Bend Radius (min):	16mm
Connector cable retention:	50 N @ 0°C 19.4 N @ 90°C
Connector durability:	500 cycles

environmental properties

Storage and shipping temperature:	-40°C to 70°C
Operating and installation temperature:	-10°C to 60°C

standards

Meets or exceeds	LSZH IEC 60332-1-2 IEC 60332-3-24 IEC 60754-1 IEC 60754-2 IEC 61034-2 TIA-604-3 (FOCIS-3) TIA-604-5 (FOCIS-10) TIA 568.3-D IEC 60793-2-10 Ed 6 IEC11801-1 Ed 3 OM5 ANSI/TIA-492AAAE
-------------------------	---

Restriction of Hazardous Substances (RoHS) Compliance:

All patch cord components meet the requirement of Directive 2002/95/EC

Opti-Core® Push-Pull LC Duplex Fiber Optic Patch Cords

part number configurator

Example: FX2ERQ1Q1SNM005 = Fiber, OM3, 2-fiber, 1.6mm cable, riser rated, LC push-pull connector to LC push-pull connector, Standard IL, 5 meters

Character	1	2	3	4	5	6	7	8	9	10	11	12	13	14	15
Example	F	X	2	E	R	Q	1	Q	1	S	N	M	0	0	5

1 – Fiber Product

F = Fiber

2 – Fiber Type

X = OM3

Z = OM4

S = OM4+ Signature Core™

W = OM5

9 = OS2

3 – Fiber Count

2 = 2-fiber

4 – Cable Type

E = 1.6mm

5 – Jacket Type

L = LSZH (Low Smoke Zero Halogen)

R = OFNR (Riser)

6 – Connector Type - End A

Q = LC Push-Pull connector

7 – Connector Variant

1 = Push-Pull Patch Cord

8 – Connector Type - End B

Q = LC Push-Pull connector

9 – Connector Variant

1 = Push-Pull Patch Cord

10 – Performance/Construction

S = Standard IL (A-B)

N = Ultra IL (A-B)

11 – Connector Variant

N = No variant

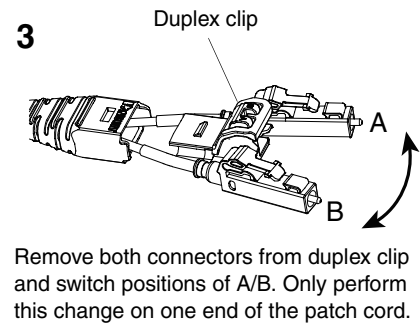
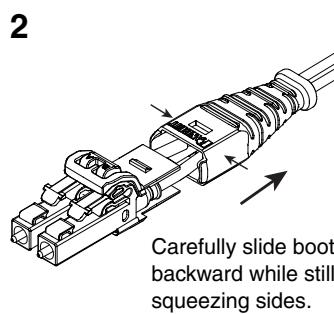
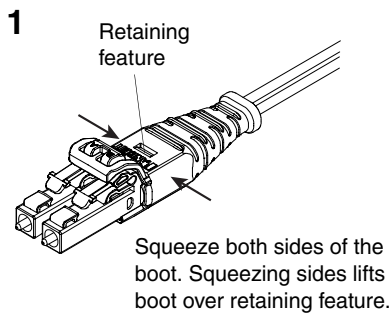
12 – Unit of Length

M = Meters

13, 14, 15 – Length

0.5 – 050 in 1 meter increments

polarity changeover



WORLDWIDE SUBSIDIARIES AND SALES OFFICES

PANDUIT US/CANADA
Phone: 800.777.3300

PANDUIT EUROPE LTD.
London, UK
Phone: 44.20.8601.7200

PANDUIT SINGAPORE PTE. LTD.
Republic of Singapore
Phone: 65.6305.7575

PANDUIT JAPAN
Tokyo, Japan
Phone: 81.3.6863.6000

PANDUIT LATIN AMERICA
Guadalajara, Mexico
Phone: 52.33.3777.6000

PANDUIT AUSTRALIA PTY. LTD.
Victoria, Australia
Phone: 61.3.9794.9020

For a copy of Panduit product warranties, log on to www.panduit.com/warranty

PANDUIT®

For more information
Visit us at www.panduit.com
Contact Customer Service by email: cs@panduit.com
or by phone: 800.777.3300

© 2021 Panduit Corp.
ALL RIGHTS RESERVED.
FBSP90--WW-ENG
8/2021