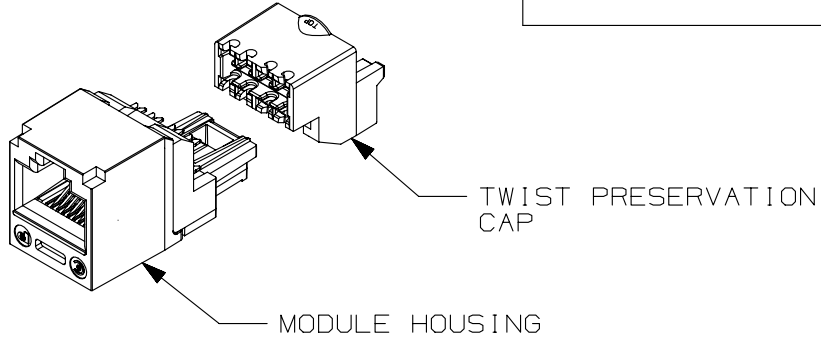


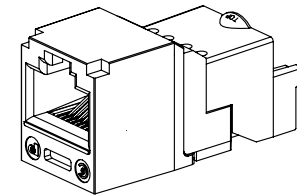
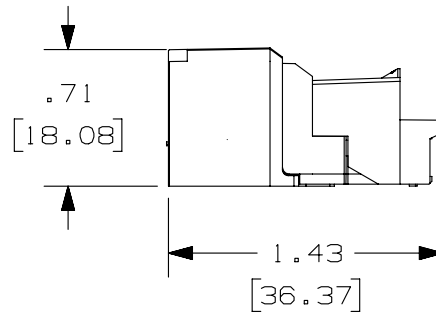
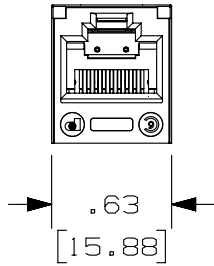
THIS COPY IS PROVIDED ON A RESTRICTED BASIS AND IS NOT TO BE USED IN ANY WAY DETRIMENTAL TO THE INTERESTS OF PANDUIT CORP.

PANDUIT PART#	DESCRIPTION	WEIGHT
CJ688TP**	8 POSITION, 8 WIRE UNIVERSAL MODULE. TERMINATION CAP IS COLOR CODED FOR T568A AND T568B WIRING SCHEMES.	1.46 LB/100 PCS (663g/100 PCS)



NOTES:

- SEE CURRENT CATALOG FOR ADDITIONAL PART NUMBER SUFFIXES TO INDICATE COLOR AND OR PACKAGE QUANTITY.
- MATERIAL:
MODULE HOUSING- ABS
NOMINAL WALL THICKNESS .078(2.0).
PRESERVATION CAP-PC
- ALL TX6 PLUS, 8 POSITION, 8 WIRE CONNECTOR MODULES ARE UNIVERSAL IN DESIGN. THEY ACCEPT SIX AND EIGHT POSITION MODULAR PLUGS WITHOUT DAMAGE.
- DIMENSIONS IN PARENTHESES ARE IN METRIC.



ACTUAL SIZE

PART NUMBER		CJ688TP**	
TITLE			
MINI-JACK CATEGORY 6 TX6 PLUS JACK MODULE			
CUSTOMER DRAWING			
ITEM REVISION NAME		M01336EB/08	
DATASET FILE NAME		M01336EB_DC24/08C	
UNLESS OTHERWISE SPECIFIED, DIMENSIONAL TOLERANCES ARE: IN (mm)		MATERIAL:	
.x ± .xxx ± .010 (.3)		SEE NOTES	
.xx ± .03 (.8) ANGLES ±		DRAWING NUMBER:	
		01336-24	
DRAWN BY	DATE	CHK	SCALE
MDJR	1-03-03	DADY	NONE
REV	DATE	BY	CHK
2	4/29/14	JSP	REFR
APR	DESCRIPTION	ECN	SIZE
APR	REVISED AND REDRAWN, PREVIOUS REVISIONS HAVE BEEN OMITTED.	01336-24	A

D10100DA/14

2

1

2

1