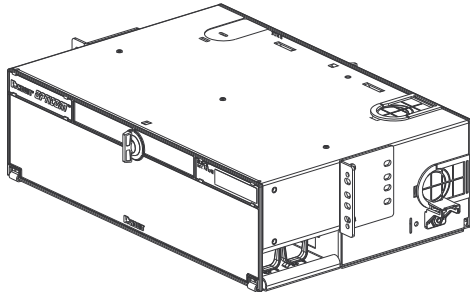


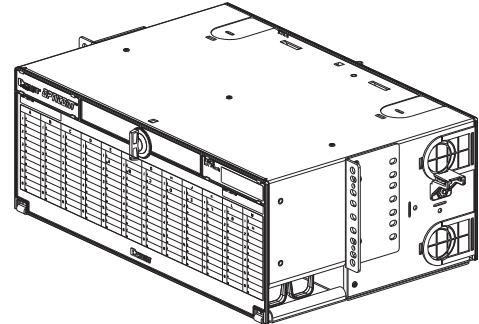
FRME3

- 1 FRME Enclosure
- 1 FRME Kit
- 1 Port I.D. Label
- 2 Enclosure Brackets



FRME4

- 1 FRME Enclosure
- 1 FRME Kit
- 1 Port I.D. Label
- 2 Enclosure Brackets



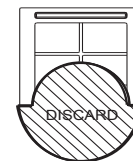
Assembly Instructions:

Determine the cable entry location on the enclosure. Remove the knockout by inserting a screwdriver into the slot located in the center of the knockout and apply a twisting upward motion, then lift out. Insert grommet following proper cutting diagram. Snap in saddle clips. Grounding lug attaches to a stud at the rear, inside the enclosure, on the top or bottom with a #10-32 nut. Apply laser warning label and caution label in a clearly visible location. Apply port I.D. label(s) on the inside of the door.

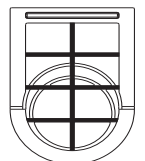
GROMMET CUTTING DIAGRAM



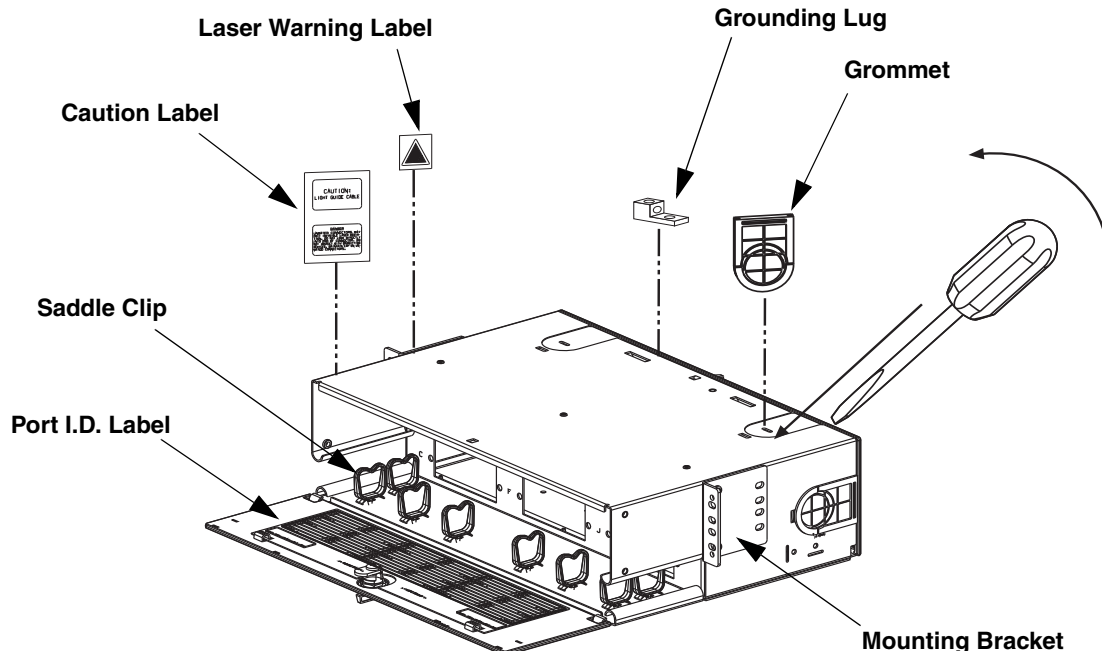
Cut the small circle for 1" diameter innerduct

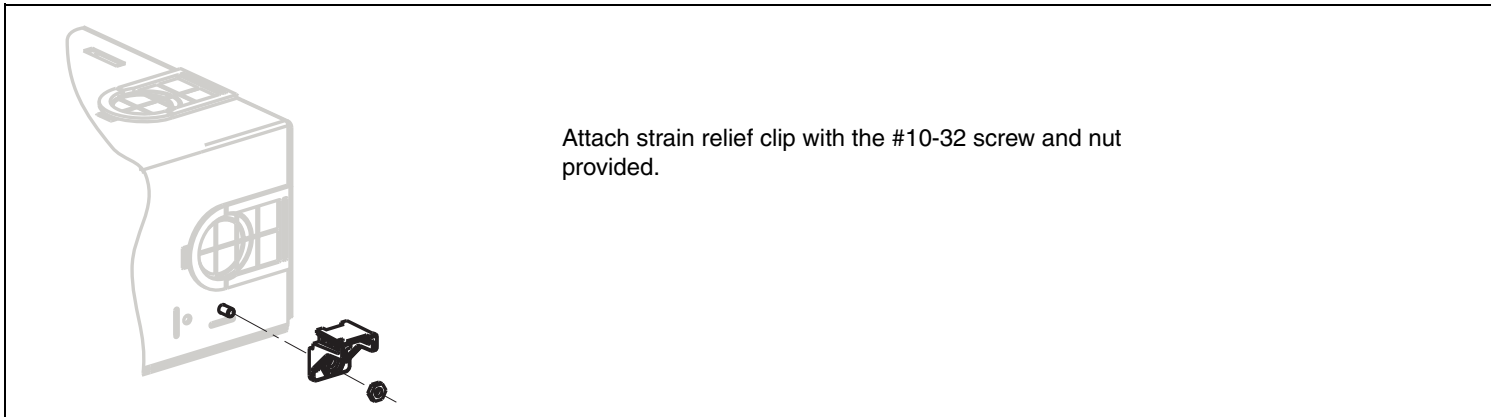


Cut the large circle for 1-1/2" diameter innerduct

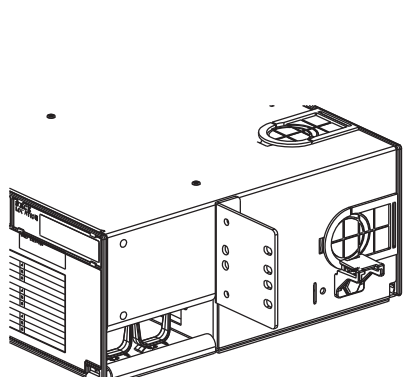


Cut the straight lines when not using any innerduct



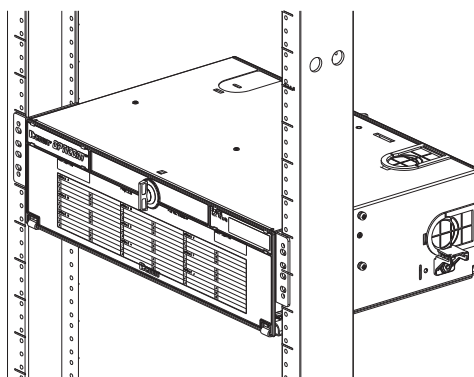


Mounting Instructions



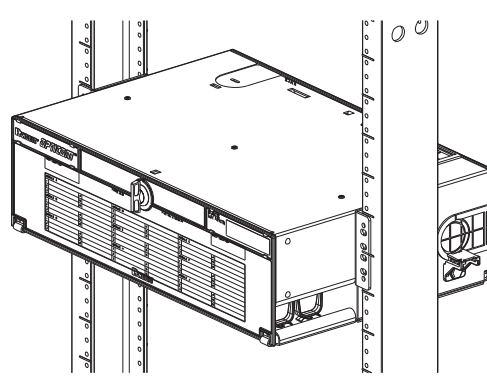
Bracket orientation for 23 inch rack

Attach the short leg of the bracket to the enclosure.



Bracket orientation for flush mount on a 19 inch rack

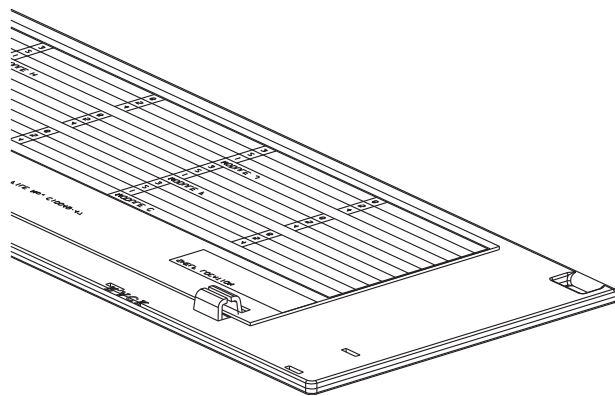
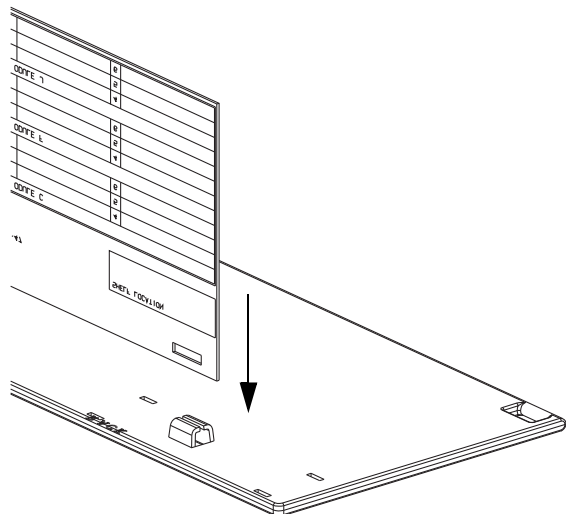
Locate rack bracket on the front mounting holes for flush mounting



Bracket orientation for projection mount on a 19 inch rack

Locate rack bracket on the mid enclosure mounting holes for projection mounting

Label Installation



For Instructions in Local Languages
and Technical Support:
www.panduit.com/resources/install_maintain.asp

PANDUIT
www.panduit.com

E-mail:
techsupport@panduit.com
Phone:
866-405-6654