

Mini-Com® Ultimate ID® Executive Faceplates

specifications

Ultimate ID Executive Series Faceplates shall be available in 2, 4 & 6 port vertical single gang, 2 & 4 horizontal single gang and 8 port double gang. Faceplates shall be available in a sloped design and accept all Mini Com modules for UTP, STP, fiber and AV applications. Ultimate ID Faceplates shall comply with the latest TIA-606-B labeling standard by providing various labeling capabilities. Executive Series faceplates shall have a raised profile for an aesthetic appearance.



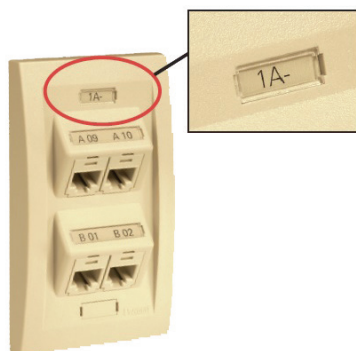
technical information

Mounting options:	Screw holes with retention tabs, spaced for single gang and double gang openings: compatible with Panduit wall board adapters
Packaging:	Supplied with two or four 1" long, #6-32 slotted head screws, one clear and one opaque screw cover and appropriate clear cover for ports. Labels not included.

key features and benefits

Modular	Accepts all Panduit Mini-Com® modules to mix and match media types in same faceplate
Port Identification	Designed to efficiently support TIA-606-B standard labeling requirements by providing a clear way to identify the connections (labels not included)
Port and panel identification	Complies with TIA-606-B labeling standard by providing labeling capabilities to the cable and the ports (labels not included)
Various port densities	Provides design flexibility
Slotted screw hole	Allows faceplate to be adjusted to ensure proper alignment

applications



For example:
1A-B02 = origination point
first floor, TS A, patch panel
B, position 02

Mini-Com® Ultimate ID Executive Faceplates are ideal for multimedia applications; they accept all Mini Com modules. Sloped design will ensure proper bend radius and various port densities are available to fit most needs. Faceplates include dedicated label pockets above the ports; it utilizes one of the screw pockets as an additional label area to identify the origination point.

Faceplates are compatible with standard size single gang and double gang junction boxes. Faceplates can also be mounted to wall board adapters and raceway mounting brackets.

Labeling is easy with Panduit printable labels. If labels are not needed, optional matching screw covers can be used to conceal the screws and will mount flush with the faceplate for a clean look.

Mini-Com® Ultimate ID Executive Faceplates

Vertical	
2-port:	UICFPSE2**
4-port:	UICFPSE4**
6-port:	UICFPSE6**
Horizontal	
2-port:	UICFPHSE2**
4-port:	UICFPHSE4**
Double Gang	
8-port:	UICFPSE8**-2G

Labels White, non-adhesive polyester

Desktop Printer	
1-port:	UILJ1
2-port:	UILJ2
3-port:	UILJ3
4-port:	UILJ4
Combo:	UILJCOMBO
Handheld Printer	
Cassette:	UILS8BW

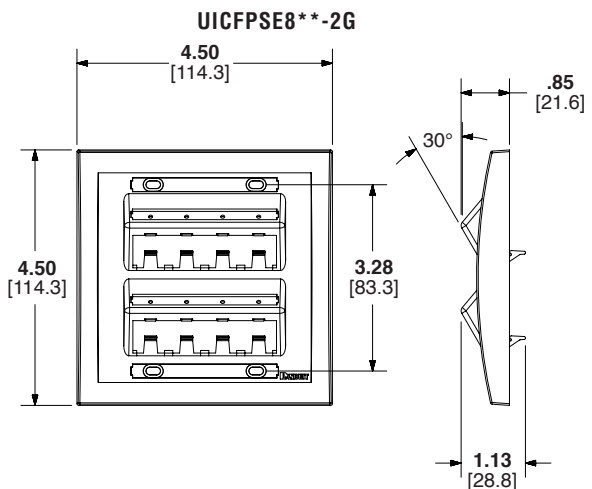
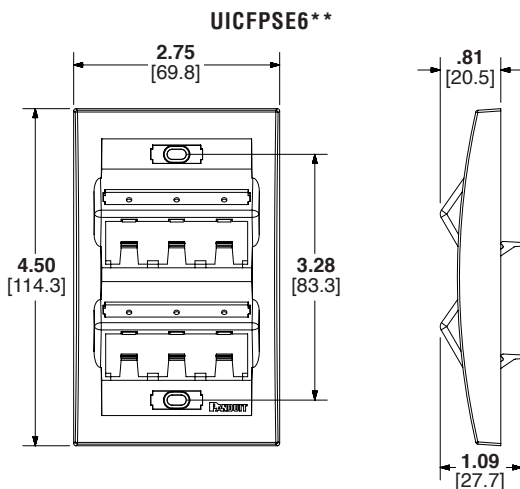
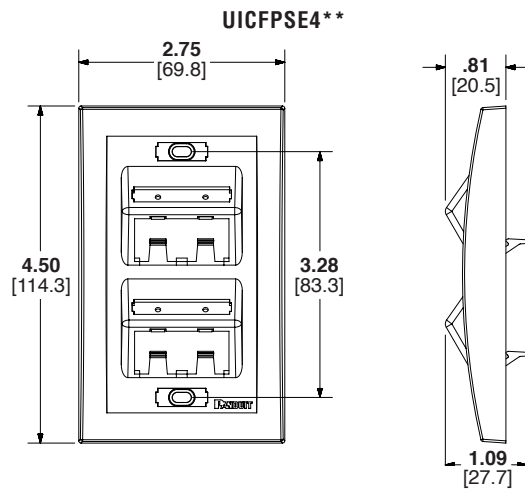
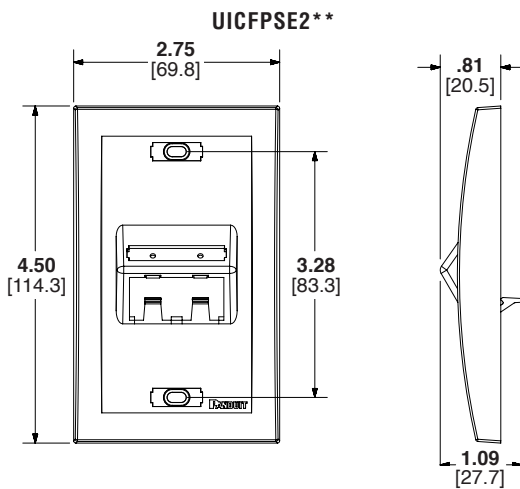
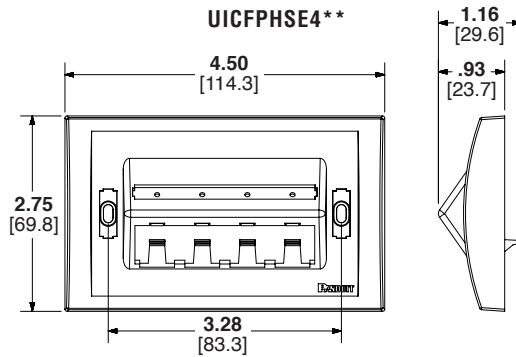
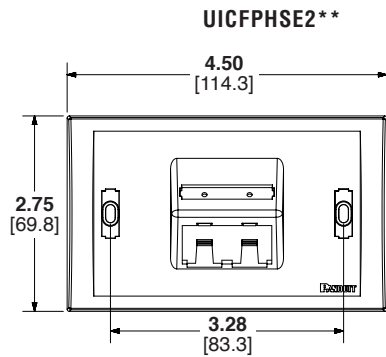
Label Covers

1-port:	UILC1^X
2-port:	UILC2CL-X
3-port:	UILC3CL-X
4-port:	UILC4CL-X
6-port:	UILC6CL-X

Available colors: IG (International Gray), IW (Off White), WH (White), EI (Electric Ivory), or BL (Black). UICFPSE8-2G is NOT available in BL (Black)

^ UILC1^X available colors are: CL (Clear), IG (International Gray), IW (Off White), WH (White), EI (Electric Ivory), or BL (Black)

Mini-Com® Ultimate ID® Executive Faceplates



Dimensions are in inches. [Dimensions in brackets are metric].

WORLDWIDE SUBSIDIARIES AND SALES OFFICES

PANDUIT US/CANADA
Phone: 800.777.3300

PANDUIT EUROPE LTD.
London, UK
cs-emea@panduit.com
Phone: 44.20.8601.7200

PANDUIT SINGAPORE PTE. LTD.
Republic of Singapore
cs-ap@panduit.com
Phone: 65.6305.7575

PANDUIT JAPAN
Tokyo, Japan
cs-japan@panduit.com
Phone: 81.3.6863.6000

PANDUIT LATIN AMERICA
Guadalajara, Mexico
cs-la@panduit.com
Phone: 52.33.3777.6000

PANDUIT AUSTRALIA PTY. LTD.
Victoria, Australia
cs-aus@panduit.com
Phone: 61.3.9794.9020

For a copy of Panduit product warranties, log on to www.panduit.com/warranty

For more information

Visit us at www.panduit.com

Contact Customer Service by email: cs@panduit.com
or by phone: 800.777.3300

©2017 Panduit Corp.
ALL RIGHTS RESERVED.
OTSP53--WW-ENG
12/2017