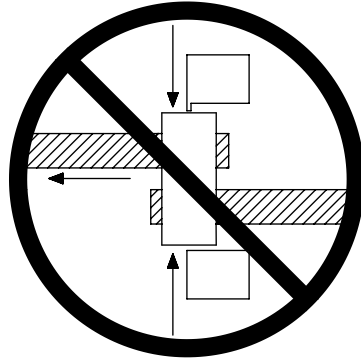
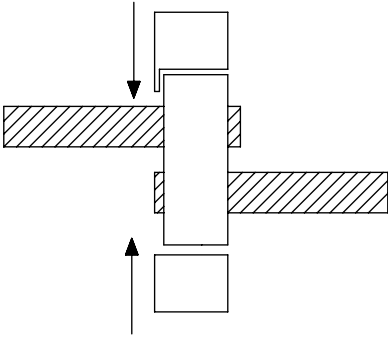
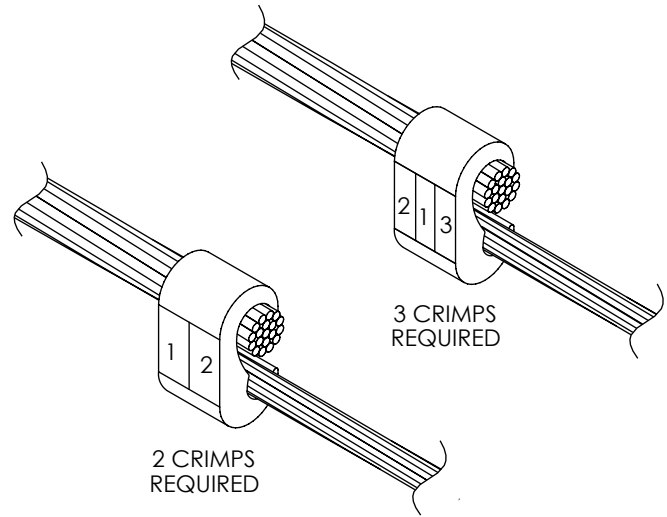


PART NUMBER	MAIN (AWG)		TAP (AWG)	MAIN (METRIC)		TAP (METRIC)
	COPPER CONDUCTOR RANGE	ROD DIAMETER	COPPER CONDUCTOR RANGE	COPPER CONDUCTOR RANGE	ROD DIAMETER	COPPER CONDUCTOR RANGE
CTAPR2-2-X	6 STR - 2 STR 6 SOL - 1 SOL	1/4" COPPER GROUND ROD	6 STR - 2 STR 6 SOL - 1 SOL	16mm <sup>2</sup> - 25mm <sup>2</sup> 16mm <sup>2</sup> SOL - 35mm <sup>2</sup> SOL	6.4 mm COPPER GROUND ROD	16mm <sup>2</sup> - 25mm <sup>2</sup> 16mm <sup>2</sup> SOL - 35mm <sup>2</sup> SOL
CTAPR2/0-2-X	1 STR - 2/0 STR	3/8" COPPER CLAD GROUND ROD	6 STR - 2 STR 6 SOL - 1 SOL	50mm <sup>2</sup>	9.0 mm COPPER CLAD GROUND ROD	16mm <sup>2</sup> - 25mm <sup>2</sup> 16mm <sup>2</sup> SOL - 35mm <sup>2</sup> SOL
CTAPR2/0-2/0-X	1 STR - 2/0 STR	3/8" COPPER CLAD GROUND ROD	1 STR - 2/0 STR	50mm <sup>2</sup>	9.0 mm COPPER CLAD GROUND ROD	50mm <sup>2</sup>
CTAPR250-2/0-6	3/0 STR - 250 kcmil	1/2" - 5/8" COPPER CLAD GROUND ROD	6 STR - 2/0 STR 6 SOL - 3/0 SOL	95mm <sup>2</sup> - 120mm <sup>2</sup>	12.8 mm - 14.2 mm COPPER CLAD GROUND ROD	16mm <sup>2</sup> - 50mm <sup>2</sup> 16mm <sup>2</sup> SOL - 70mm <sup>2</sup> SOL
CTAPR250-250-6	3/0 STR - 250 kcmil	1/2" - 5/8" COPPER CLAD GROUND ROD	3/0 STR - 250 kcmil	95mm <sup>2</sup> - 120mm <sup>2</sup>	12.8 mm - 14.2 mm COPPER CLAD GROUND ROD	95mm <sup>2</sup> - 120mm <sup>2</sup>
CTAPR500-2/0-6	300 kcmil - 500 kcmil	3/4" COPPER CLAD GROUND ROD	6 STR - 2/0 STR 6 SOL - 3/0 SOL	185mm <sup>2</sup> - 240mm <sup>2</sup>	17.2 mm COPPER CLAD GROUND ROD	16mm <sup>2</sup> - 50mm <sup>2</sup> 16mm <sup>2</sup> SOL - 70mm <sup>2</sup> SOL
CTAPR500-250-6	300 kcmil - 500 kcmil	---	3/0 STR - 250 kcmil	185mm <sup>2</sup> - 240mm <sup>2</sup>	---	95mm <sup>2</sup> - 120mm <sup>2</sup>
CTAPR500-500-6	300 kcmil - 500 kcmil	---	300 kcmil - 500 kcmil	185mm <sup>2</sup> - 240mm <sup>2</sup>	---	185mm <sup>2</sup> - 240mm <sup>2</sup>



WHEN CRIMPING WITH CD-930G-250 DIE, ORIENT PART AS SHOWN



ORIENT CRIMPS AS SHOWN WHEN CRIMPING WITH THE CD-920C-500 DIE

PANDUIT PART NUMBER	PANDUIT TOOL		
	12-TON	14-TON	15-TON
	<b>A</b> SEE TOOL LIST BELOW	<b>B</b> SEE TOOL LIST BELOW	<b>C</b> SEE TOOL LIST BELOW
	DIE PART NUMBER DIE INDEX (# OF CRIMPS)		
CTAPR2-2-X	CD-920-C PC (1)		
CTAPR2/0-2-X	CD-920-O PO (1)		
CTAPR2/0-2/0-X	CD-920-O PO (1)		
CTAPR250-2/0-6	CD-930G-250 PG25 (1)		
CTAPR250-250-6	CD-930G-250 PG25 (1)		
CTAPR500-2/0-6	CD-920C-500 P500 (2)		
CTAPR500-250-6	CD-920C-500 P500 (2)		
CTAPR500-500-6	CD-920C-500 P500 (3)		



DB  $\perp$   
RATED

**A** CT-920, CT-920/CV, CT-920CH, CT-920CH/CV, CT-920CH/CCP, CT-2920, CT-2920/CCP, CT-2920/CCPINT, CT-2920/CCPUK, CT-2920/CCPAUS, CT-2920/CCPTO, CT-2931, CT-2931/ST, CT-2931/STINT, CT-2931/STUK, CT-2931/ST AUS, CT-2931/TO, CT-2931/STCV, CT-2931/STCVINT, CT-2931/STCVUK, CT-2931/STCVAUS, CT-2931/CVTO  
**NOTE: CTAPR500-500 AND CTAPR500-250 CAN NOT BE INSTALLED WITH CT-2920, CT-2920/CCP, CT-2920/CCPINT, CT-2920/CCPUK, CT-2920/CCPAUS, CT-2920/CCPTO**  
**WHEN INSTALLING THE CTAPR PARTS WITH THE CT-920CH, USE BLACKFIN TOOL ONLY**

**B** CT-930, CT-930CH, CT-2930, CT-2930/L, CT-2930/LE  
**NOTE: CTAPR500-500 CANNOT BE INSTALLED WITH THE CT-930CH OR THE CT-930**

**C** USE DIE ADAPTOR CD-940-DA: CT-940CH/BJO, CT-2940, CT-2940/L, CT-2940/LE

For Instructions in Local Languages  
and Technical Support:

[www.panduit.com/resources/install\\_maintain.asp](http://www.panduit.com/resources/install_maintain.asp)



[www.panduit.com](http://www.panduit.com)

E-mail:  
[cs@panduit.com](mailto:cs@panduit.com)

Fax:  
708-444-6993