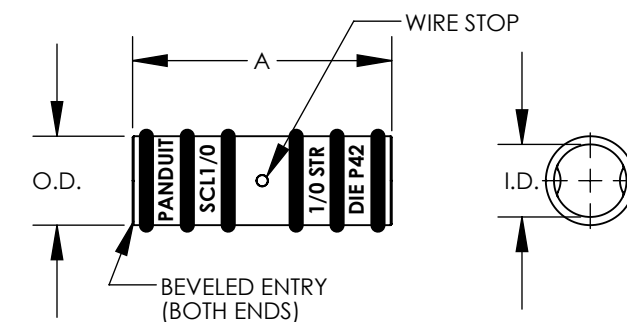


THIS COPY IS PROVIDED ON A RESTRICTED BASIS AND IS NOT TO BE USED IN ANY WAY DETRIMENTAL TO THE INTERESTS OF PANDUIT CORP.

PANDUIT PART NUMBER	COPPER CONDUCTOR SIZE	EXPANDED WIRE RANGE**	BARREL		OVERALL LENGTH "A" ±.06	WIRE STRIP LENGTH	PANDUIT CRIMP TOOL PART NUMBERS									
			I.D. ± .01	O.D. ± .01			CT-600A	CT-700 (OBSOLETE)	CT-1570	CT-1700	CT-1701***	CT-720	CT-2300	CT-920/CT-920CH CT-930/CT-930CH CT-940CH* CT-2920 CT-2940*	CT-980 CT-980CH CT-2950 CT-2980	CT-2001
							DIE PART NO./ DIE SET COLOR & INDEX NO./ (NUMBER OF CRIMPS)									
SCL10-L	#14-10 SOL/STR AWG	---	0.13	0.22	1.25	9/16	CT-570CH 12-10 (2)	---	12-10 (1)	---	P10 (2)	---	CD-570 12-10 (2)	---	---	---
SCL8-L	#8 AWG	---	0.18	0.27	2.25	1-1/16	---	CD-700-8-2 RED P21 (3)	---	RED P21 (3)	---	CD-720-1 RED P21 (2)	---	CD-920-8 RED P21 (1)	---	CD-2001-8 RED P21 (2)
SCL6-L	#6 AWG	---	0.22	0.31	2.38	1-1/8	---	CD-700-8-2 BLUE P24 (3)	---	BLUE P24 (3)	---	CD-720-1 BLUE P24 (2)	---	CD-920-6 BLUE P24 (1)	---	CD-2001-6 BLUE P24 (2)
SCL4-L	#4AWG #3 AWG #2 SOL	---	0.28	0.38	2.38	1-1/8	---	CD-700-8-2 GRAY P29 (3)	---	GRAY P29 (3)	---	CD-720-1 GRAY P29 (2)	---	CD-920-4 GRAY P29 (1)	STD (1)	CD-2001-4 GRAY P29 (2)
SCL2-Q	#2 AWG	#6-#2 AWG	0.31	0.42	2.62	1-1/4	---	CD-700-8-2 BROWN P33 (3)	---	BROWN P33 (3)	---	CD-720-1 BROWN P33 (2)	---	CD-2001-2 BROWN P33 (1)	STD (1)	CD-2001-2 BROWN P33 (2)
SCL1-E	#1 AWG	#6-#1 AWG	0.36	0.47	2.87	1-3/8	---	CD-700-1-1/0 GREEN P37 (3)	---	GREEN P37 (3)	---	CD-720-2 GREEN P37 (2)	---	CD-920-1 GREEN P37 (1)	STD (1)	CD-2001-1 GREEN P37 (2)
SCL1/0-X	1/0 AWG	#6-#1/0 AWG	0.39	0.52	2.87	1-3/8	---	CD-700-1-1/0 PINK P42 (3)	---	---	---	CD-720-2 PINK P42 (2)	---	CD-920-1/0 PINK P42 (2)	STD (2)	CD-2001-1/0 PINK P42 (2)
SCL2/0-X	2/0 AWG	#4-#2/0 AWG	0.45	0.58	3.13	1-1/2	---	---	---	---	---	CD-720-2 BLACK P45 (3)	---	CD-920-2/0 BLACK P45 (3)	STD (2)	CD-2001-2/0 BLACK P45 (3)
SCL3/0-X	3/0 AWG	#2-#3/0 AWG	0.51	0.64	3.12	1-1/2	---	---	---	---	---	CD-720-2 ORANGE P50 (3)	---	CD-920-3/0 ORANGE P50 (3)	STD (2)	CD-2001-3/0 ORANGE P50 (3)
SCL4/0-X	4/0 AWG	#1-#4/0 AWG	0.57	0.71	3.37	1-5/8	---	---	---	---	---	CD-720-3 PURPLE P54 (3)	---	CD-920-4/0 PURPLE P54 (3)	STD (3)	CD-2001-4/0 PURPLE P54 (3)
SCL250-X	250 kcmil	#1/0-250 kcmil	0.63	0.77	3.38	1-5/8	---	---	---	---	---	CD-720-3 YELLOW P62 (4)	---	CD-920-250 YELLOW P62 (3)	STD (3)	CD-2001-250 YELLOW P62 (3)



- NOTES:
1. MATERIAL: HIGH CONDUCTIVITY SEAMLESS COPPER TUBING
 2. ELECTRO-TIN PLATED
 3. BARREL COLOR CODED WITH DIE SET INDEX NUMBER.
 4. UL LISTED WITH CODE COPPER CONDUCTORS FOR APPLICATIONS UP TO 35KV, FILE E52164.
 5. CONSULT CABLE MANUFACTURER FOR VOLTAGE STRESS RELIEF INSTRUCTIONS WITH APPLICATIONS GREATER THAN 2000 VOLTS.
 6. CSA CERTIFIED FOR APPLICATIONS UP TO 35 KV, FILE LR31212.
 7. UL LISTED PER UL467 FOR GROUNDING AND BONDING.
 8. FOR USE WITH COPPER CABLES ONLY.



*CD-920 DIES CAN BE USED WITH CT-940CH AND CT-2940 TOOLS WITH CD-940-DA DIE ADAPTER.
 **WITH CT-980, CT-980CH, CT-2950, & CT-2980
 ***CT-1701 CRIMP DIE POCKETS ARE INTEGRATED INTO THE TOOL FRAME.

REV	DATE	BY	CHK	APR	DESCRIPTION	ECN
06	9/19	JHNU	JHNU	RGB	REVISED EXPANDED WIRE RANGE FOR SCL10-L	N41062BA-DC
05	4/19	JHNU	JHNU	RGB	ADDED SCL10 ADDED CRIMP TOOLS CT-600A, CT-1570, CT-1701, CT-2300 REVISED TITLE BLOCK	N41062BA-DC

TITLE SCL LONG BARREL SPLICES #10 - 250 kcmil CUSTOMER DRAWING						
ITEM REVISION NAME N41062BA/06						
DATASET FILE NAME N41062BA-DC/06.SLDDRW						
UNLESS OTHERWISE SPECIFIED, DIMENSIONAL TOLERANCES ARE: IN [mm]						
.X ± .XXX ± .XX ± ANGLES ±						
DRAWN BY WL						
DATE 5-12-92						
CHK GRM						
SCALE NONE						
THIRD ANGLE PROJECTION						
DRAWING NUMBER C41062						
SHEET 1 OF 1						
SIZE B						