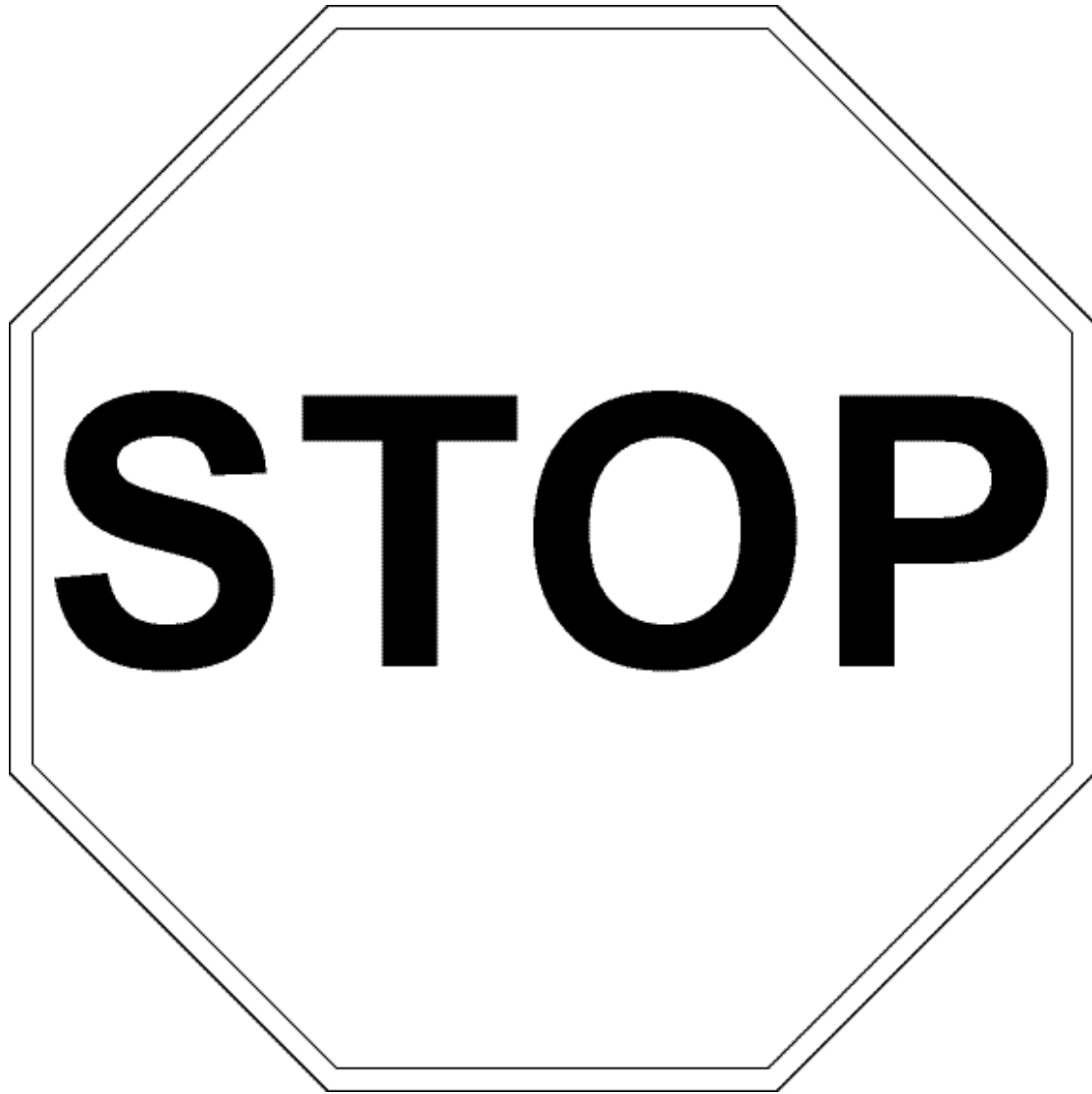


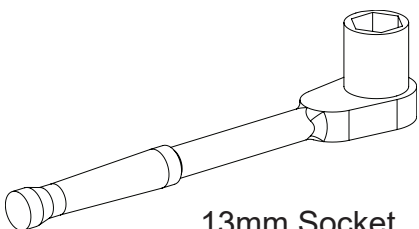
V00029KX



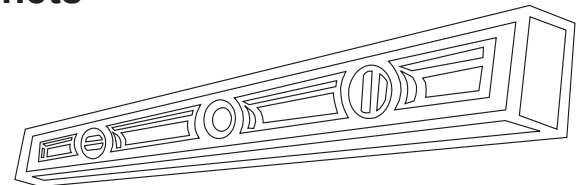
**READ ALL OF THE FOLLOWING INSTRUCTIONS BEFORE  
REMOVING CABINET FROM SKID**

---

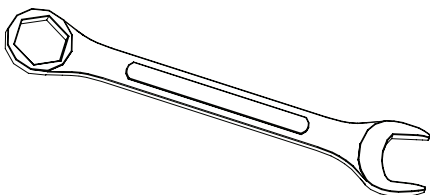
**Net-Verse D-Type Cabinets  
Tool List**



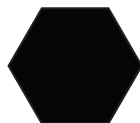
13mm Socket  
Wrench



122mm (48") Level



19mm Wrench

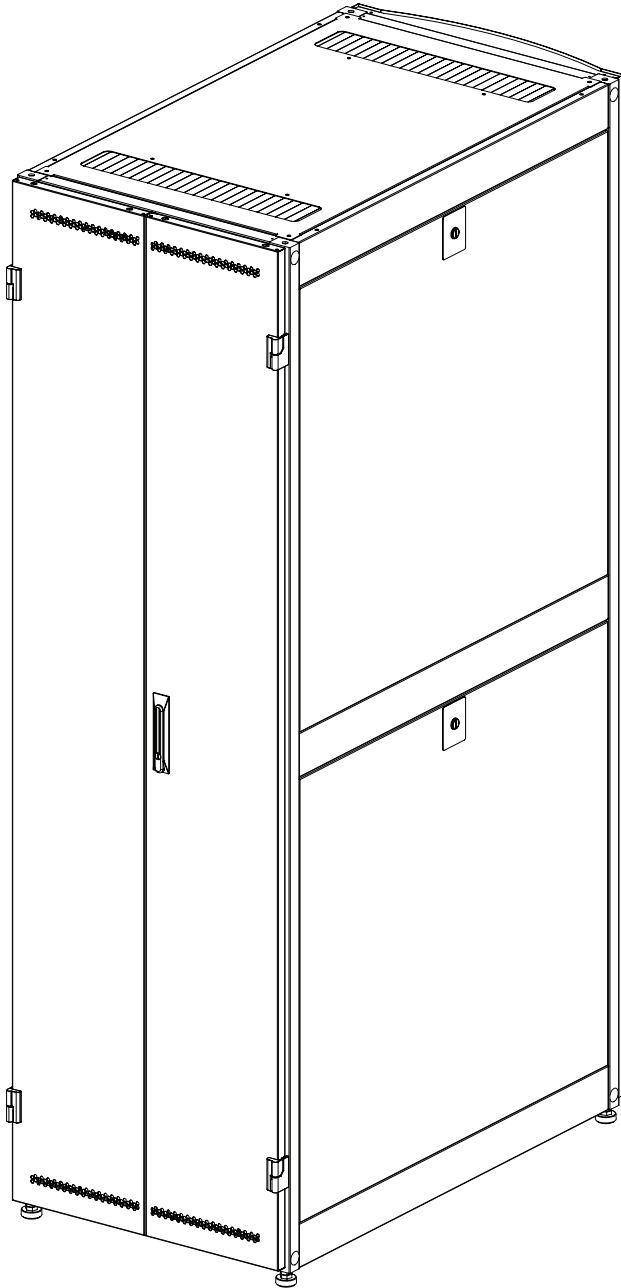


8mm Hex Drive

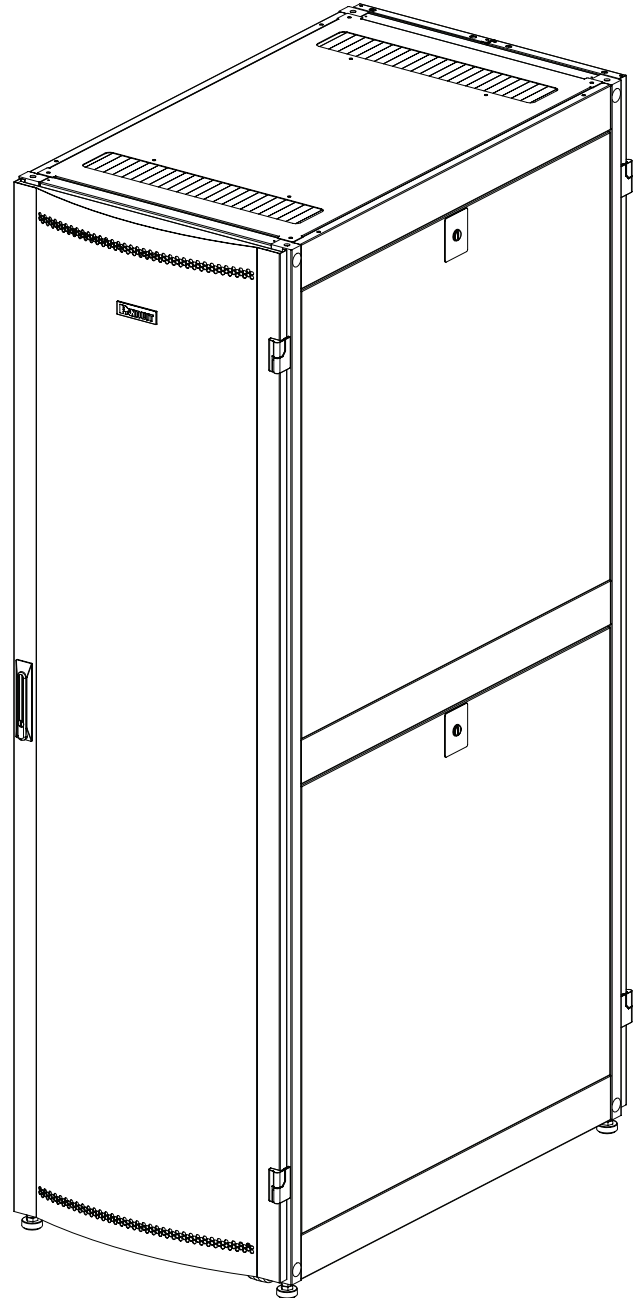


T25 Torx driver

**NOTE:** Some views in this document may vary slightly from your actual cabinet configuration. Components missing from some views for clarity purposes.



**Back of Cabinet**



**Front of Cabinet**

**Disclaimer:**

The information contained in this manual is intended as a guide for use by persons having technical skill at their own discretion and risk. The recommended practices are based on average conditions. Panduit makes no representation or warranty, express or implied, nor assumes any responsibility for the accuracy or completeness of these installation instructions. Panduit does not guarantee any favorable results nor assume any liability for damages, improper installation, system failures, or any other problems that could arise in connection with the use of these installation instructions.

# IMPORTANT SAFETY INFORMATION



## WARNING

### **CABINET TIPPING HAZARD**

This cabinet can easily be tipped. Use extreme caution when unpacking or moving the cabinet.

Use **at least [2] persons** to remove cabinet from pallet and move cabinet into position (refer to page 5).

After the cabinet has been removed from the pallet, ensure that the leveling legs are in the fully-retracted position (refer to pages 5-6) before rolling the cabinet on casters. It is recommended to add at least 136Kg (300 lbs.) of equipment to the bottom 10 RU of the cabinet to provide extra stability before rolling the cabinet.

When rolling the cabinet on casters, push the cabinet from the front or rear only, to prevent the cabinet from tipping on its side.

**FAILURE TO FOLLOW THESE INSTRUCTIONS CAN LEAD TO SERIOUS INJURY, DEATH, OR DAMAGE TO YOUR EQUIPMENT.**

### **Safety Notes:**

The maximum static weight load of the cabinet is 1500 kg (3300lbs.) The maximum weight load when the cabinet is rolling on casters is 500 kg (1102 lbs.) The weight load should be evenly distributed across the height of the cabinet, with the heaviest components mounted at the bottom of the cabinet.

The maximum operating temperature is 50° C; so that the installer is able to determine acceptability of use of accessories and components in the operating state.

The equipment shall be installed or serviced by trained service personnel in accordance with the applicable requirements of the National Electric Code, ANSI/NFPA 70 or Canadian Electrical Code and the applicable sections of ANSI C2, the National Electrical Safety Code. These instructions shall not result in the risk of fire, electric shock, or injury to persons.

### **UL Listing covers enclosure cabinet only**

# Table of Contents

<b>Packaging Material Removal</b> .....	<b>5</b>
<b>Leveling</b> .....	<b>6</b>
<b>Floor Mounting</b> .....	<b>7</b>
<b>Ganging Multiple Cabinets Together</b> .....	<b>8</b>
<b>Grounding</b> .....	<b>9</b>
<b>Equipment Rail Spacing Adjustment</b> .....	<b>10</b>
600mm Wide Cabinet.....	10
800mm Wide Cabinet.....	11
<b>Cable Management Fingers (800mm Cabinets Only)</b> .....	<b>12</b>
<b>Installing PDU's to Cabinet</b> .....	<b>13</b>
<b>Single Hinge Door (Removal and Installation)</b> .....	<b>15</b>
<b>Rear Split Doors (Removal and Installation)</b> .....	<b>16</b>
<b>Side Panels (Removal and Installation)</b> .....	<b>17</b>

## Packaging Material Removal

- Remove all stretch wrap, protective cardboard, and plastic bag from outside of cabinet.
- Follow Side Panel removal instructions (Page 17) to remove protective foam and connect ground whips.
- Remove [2] Hold Down Brackets at front and rear of cabinet. (**See Note below**)
- Use **at least [2] persons** to carefully lift and remove cabinet from pallet.

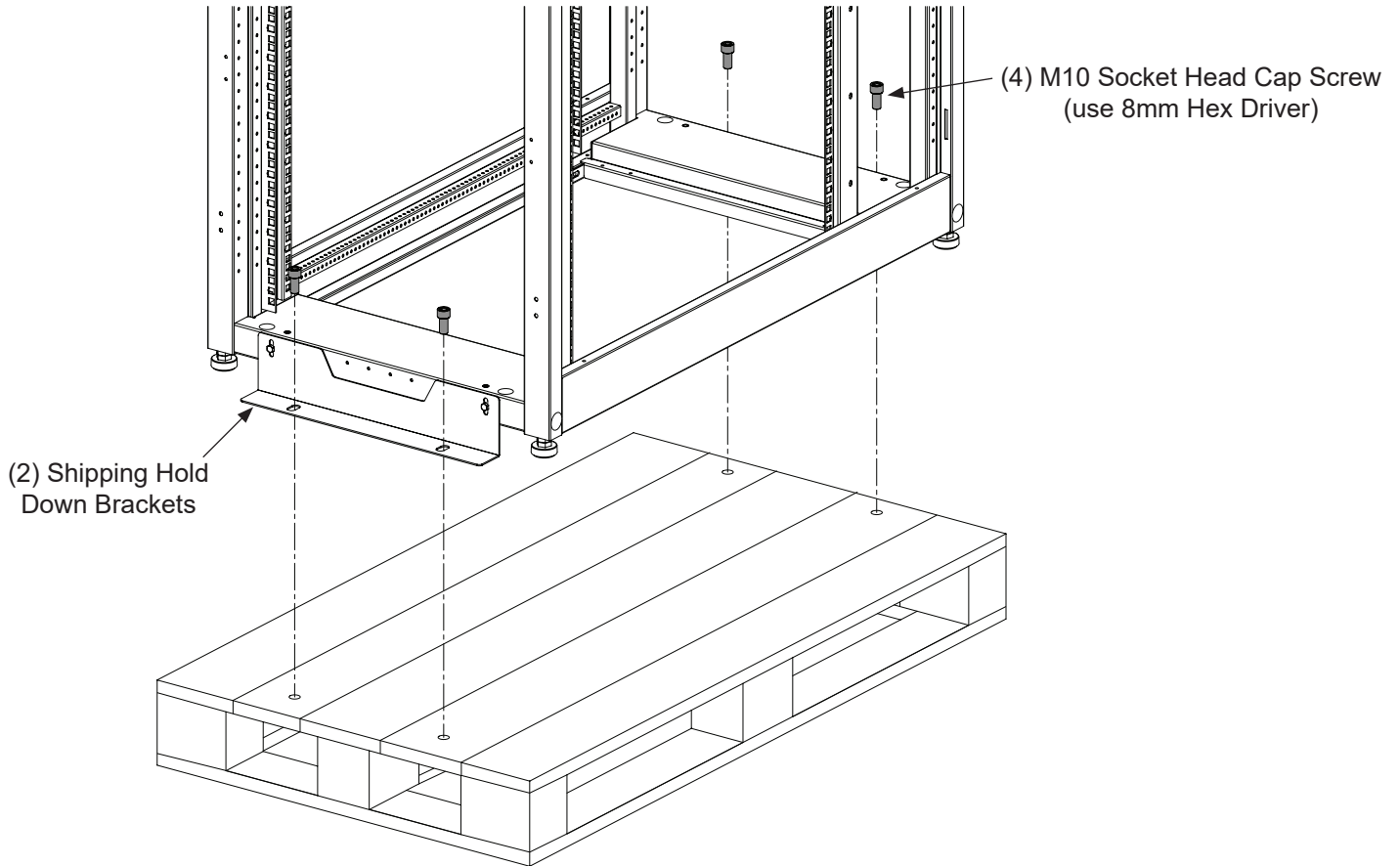
### Note:

**Shipping Hold Down Bracket** doubles as **Floor Mounting Bracket**. Retain bracket if floor mounting is desired. (see Page 7)

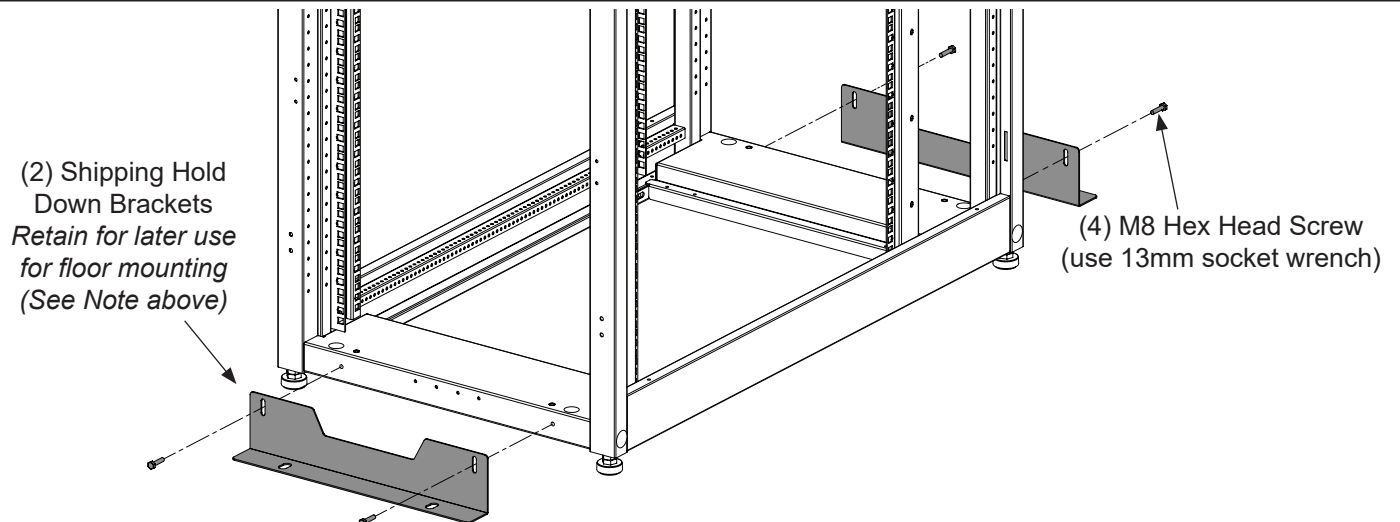
### Important:

Leveling Legs must be fully retracted before the cabinet is moved into place. Sliding cabinet on leveling legs may result in damage to the leveling legs. (Leveling Legs ship in retracted position)

1



2

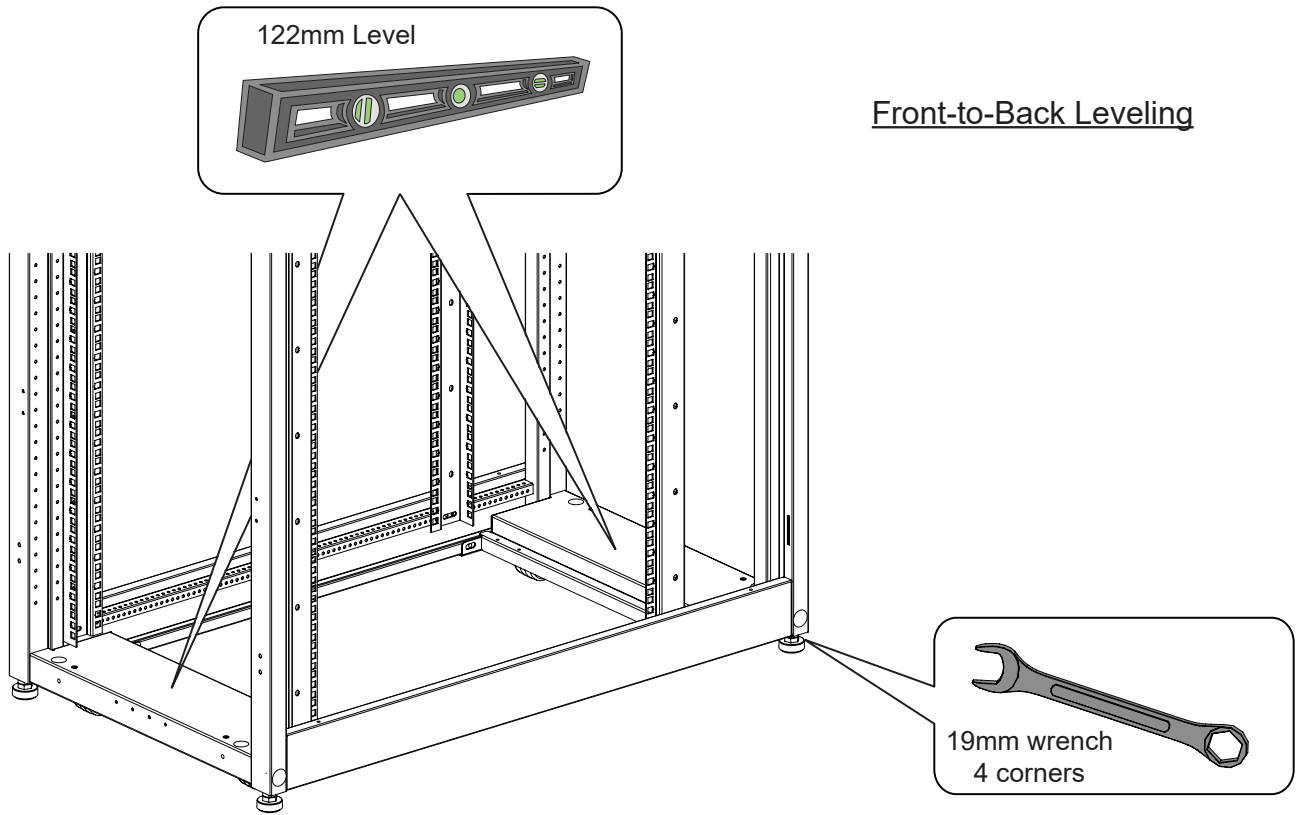


For Technical Support: [www.panduit.com/resources/install\\_maintain.asp](http://www.panduit.com/resources/install_maintain.asp)

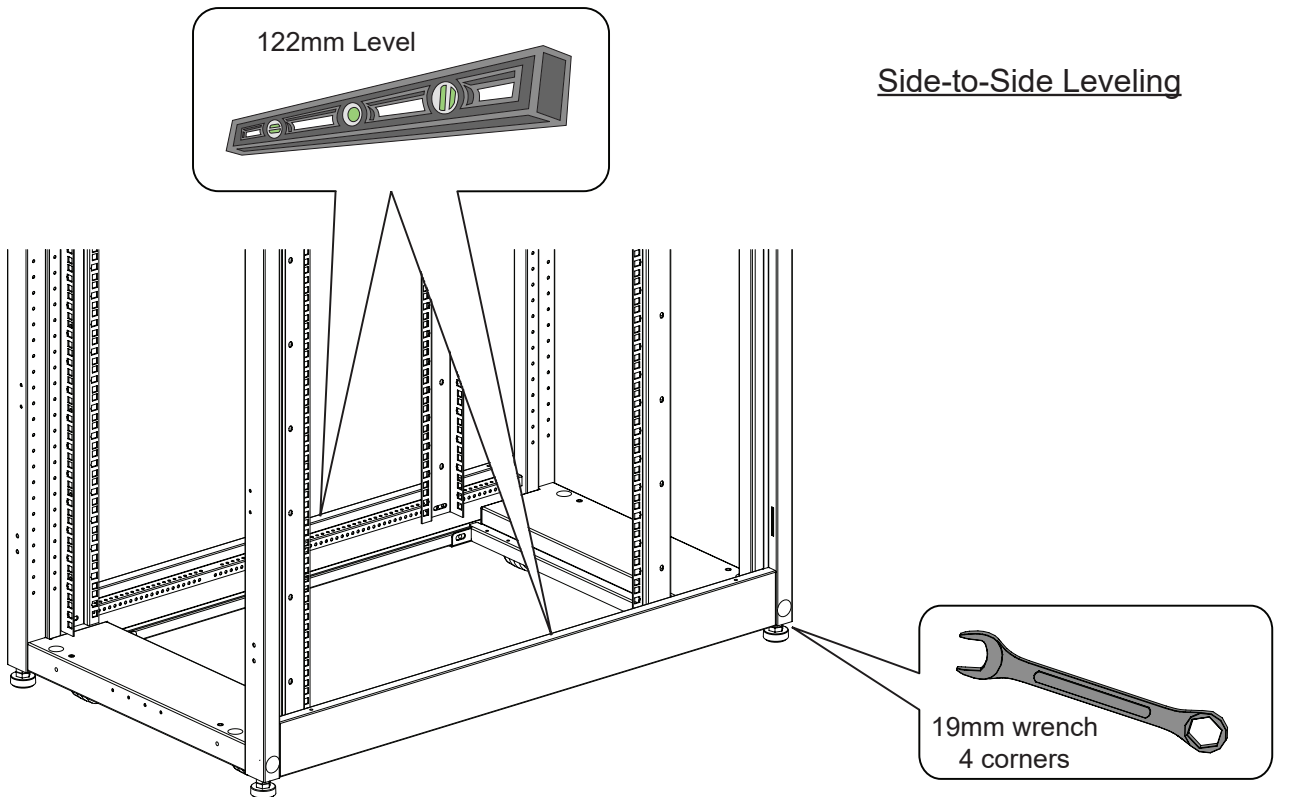
## Leveling

- Ensure that (4) Leveling Legs are fully retracted.
- Slide Cabinet into final position.
- Lower the (4) Leveling Legs until the cabinet weight is fully supported by only the leveling legs.
- Adjust the (4) Leveling Legs so that the cabinet is level front-to-back and side-to-side.

1



2





# WARNING

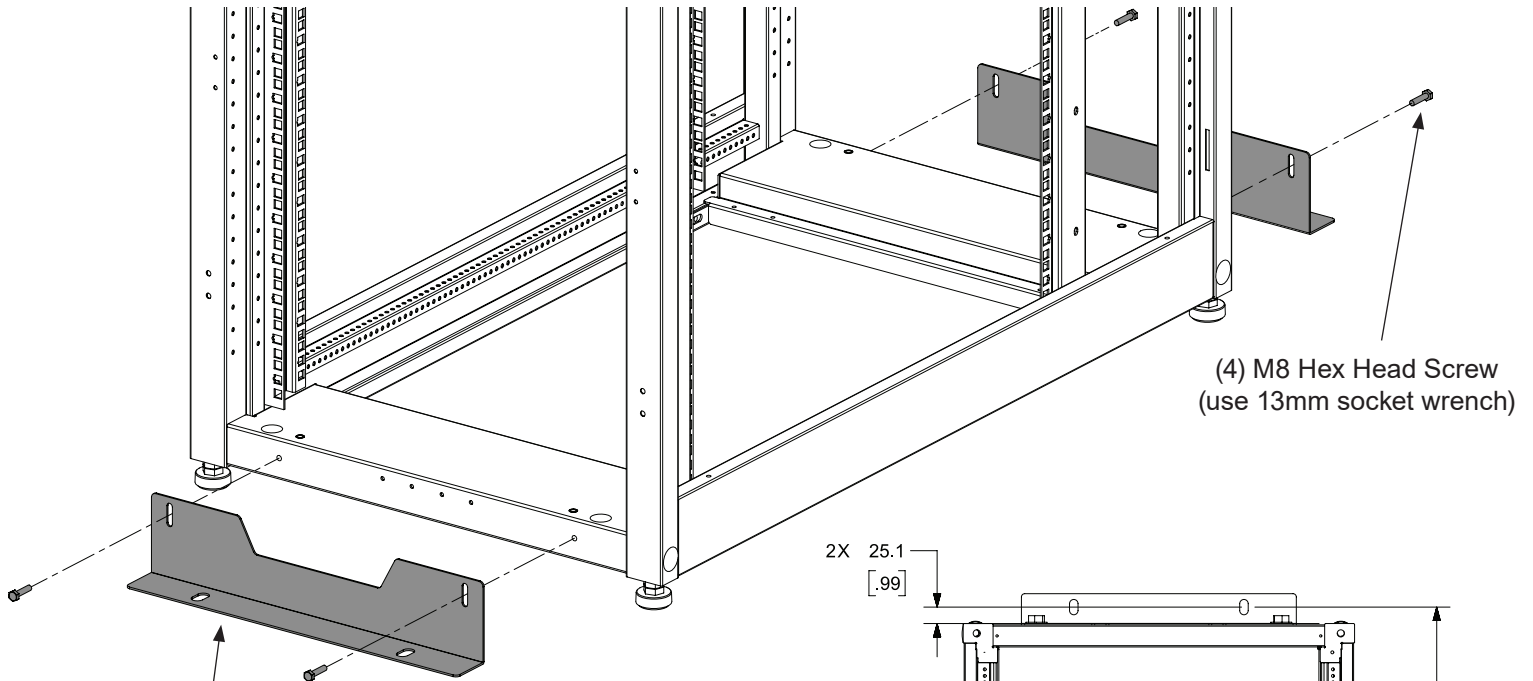
## Cabinet Tipping Hazard

Mount cabinet to floor before installing more than 500Kg (1102lbs.) of equipment.

**FAILURE TO FOLLOW THESE INSTRUCTIONS CAN LEAD TO SERIOUS INJURY, DEATH, OR DAMAGE TO YOUR EQUIPMENT.**

## Floor Mounting

- Ensure that (4) Leveling Legs are fully retracted
- Secure (2) **Shipping Hold Down Brackets** at front and rear of cabinet
- See Floor Mounting View below for floor mounting dimensions
- Attach the anchors to the floor with appropriate hardware for your type of floor



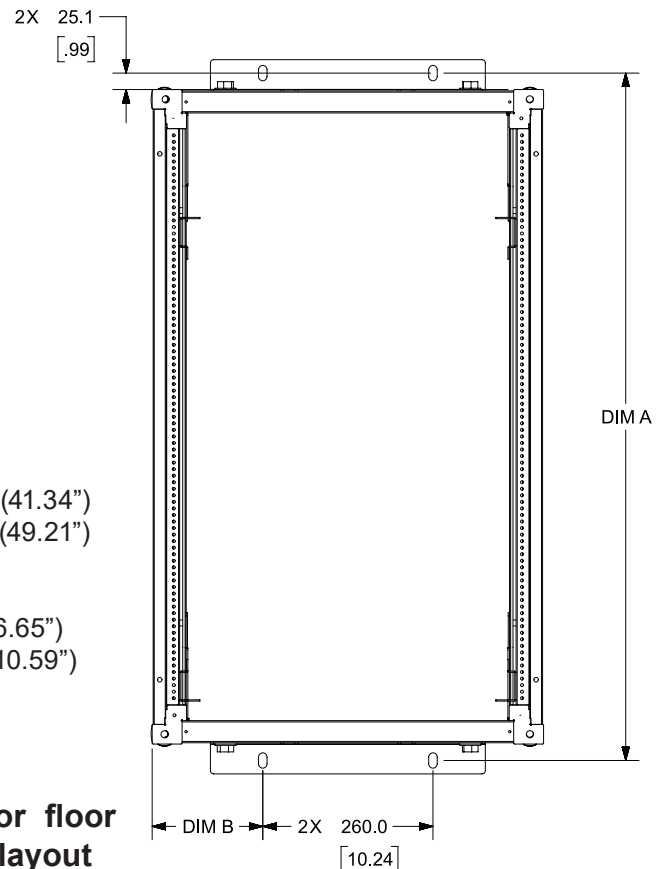
(2) Shipping Hold Down Brackets  
Previously removed during 'Packaging Material Removal' step (Page 5).

### DIM A:

- 1000mm deep cabinets: 1050mm (41.34")
- 1200mm deep cabinets: 1250mm (49.21")

### DIM B:

- 600mm wide cabinets: 169mm (6.65")
- 800mm wide cabinets: 269mm (10.59")



Top view for floor mounting layout



## WARNING

### **Cabinet Tipping Hazard**

Ganging of cabinets only provides limited stability to the cabinets, and is not a substitute for proper leveling or floor mounting of cabinets. Ensure that cabinets are properly mounted to floor before cabinet is fully loaded with equipment. (See page 7)

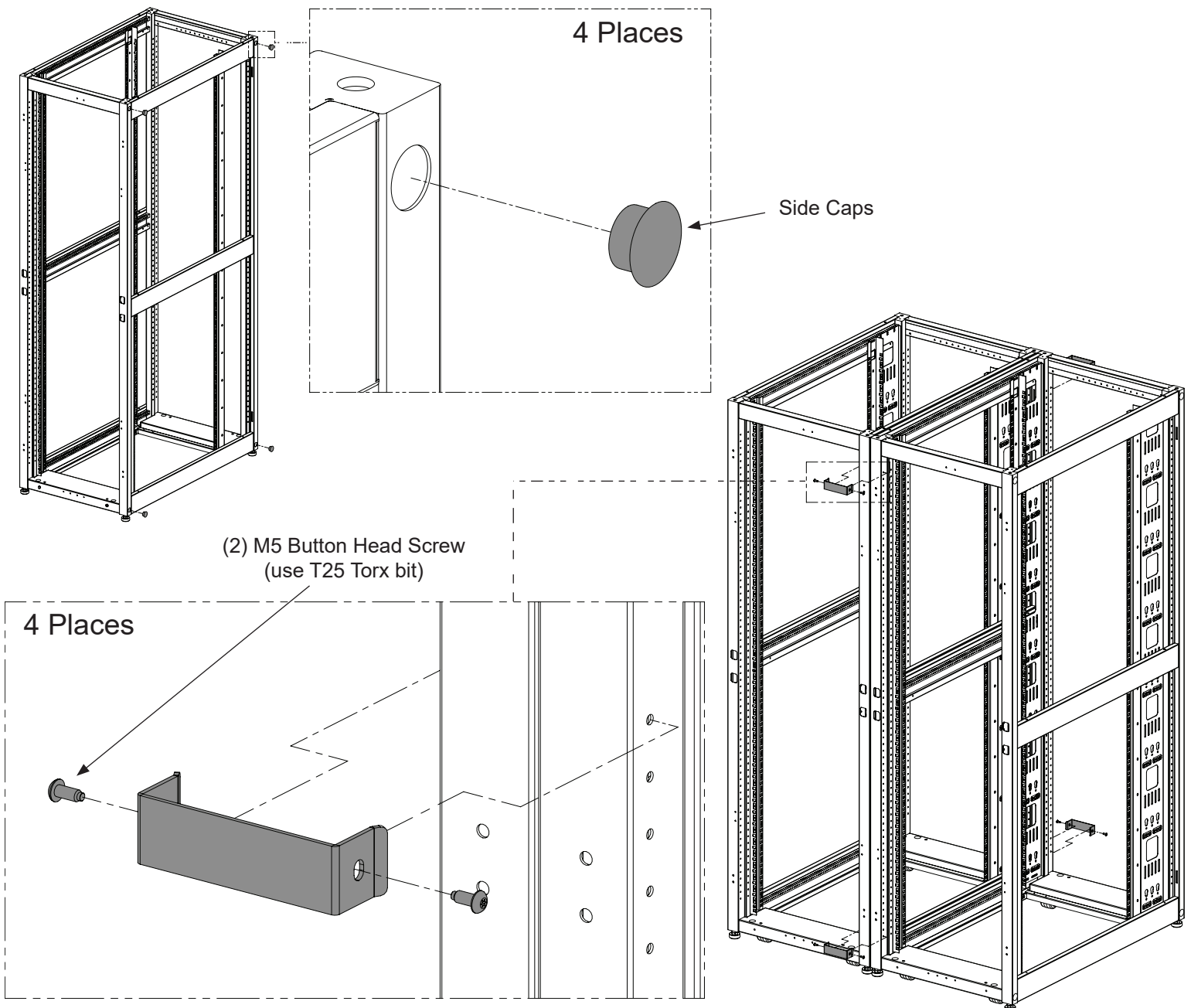
**FAILURE TO FOLLOW THESE INSTRUCTIONS CAN LEAD TO SERIOUS INJURY, DEATH, OR DAMAGE TO YOUR EQUIPMENT.**

### **Ganging Multiple Cabinets Together**

- Ensure cabinets are level
- Remove (4) Side Caps from sides of cabinets that will be ganged together.
- Secure Ganging Brackets to cabinets at (2) front locations and (2) back locations
- Do not use Ganging Brackets to cinch cabinets together

### **IMPORTANT:**

Ensure cabinets are level by following the guidelines on page 6. Leveling the cabinet prior to ganging is important to ensure proper door operation.



**For Technical Support: [www.panduit.com/resources/install\\_maintain.asp](http://www.panduit.com/resources/install_maintain.asp)**





## DANGER

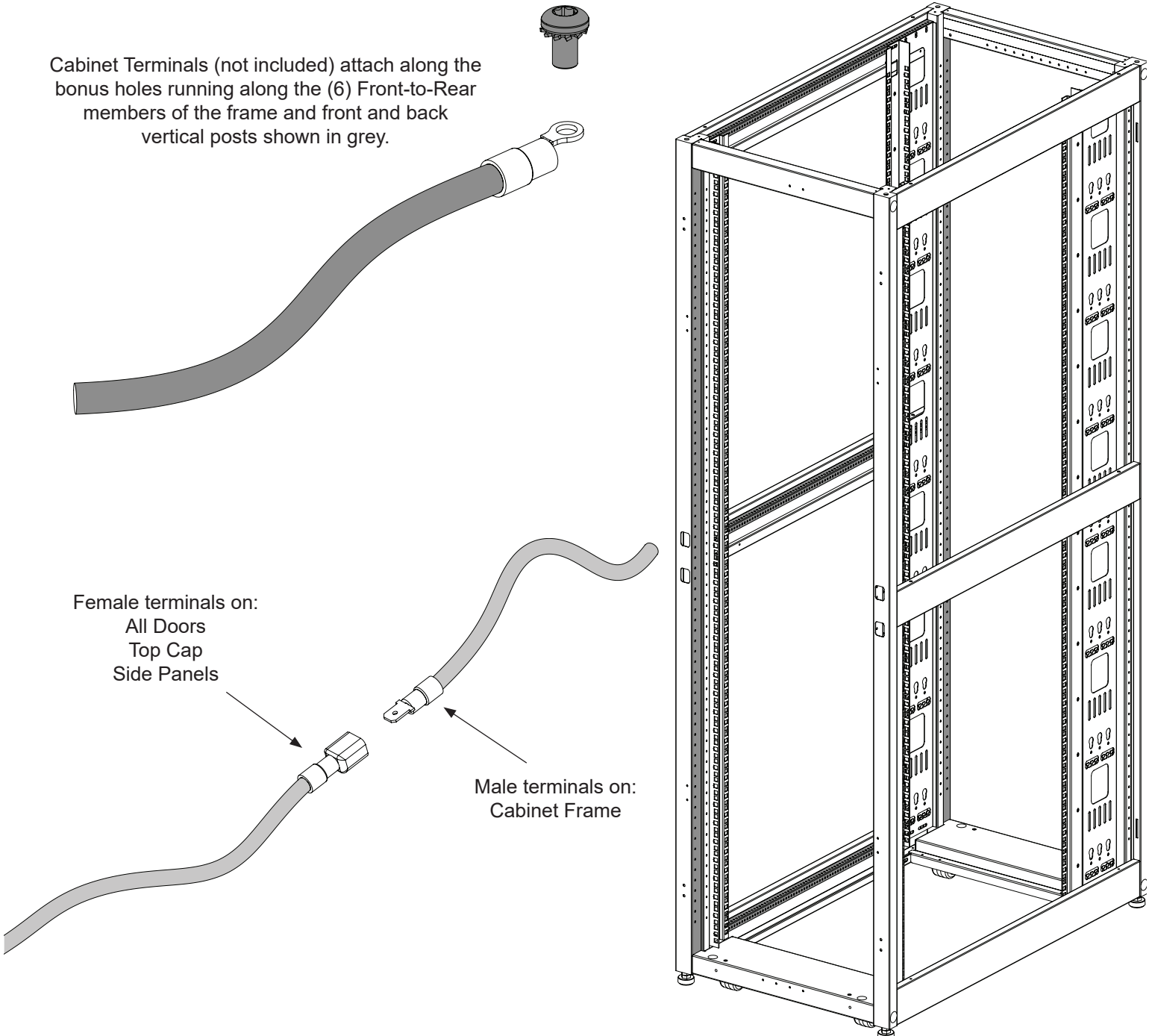
### Electrical Shock Hazard

Each cabinet must be connected to the Common Bonding Network (CBN).

**FAILURE TO FOLLOW THESE INSTRUCTIONS CAN LEAD TO SERIOUS INJURY, DEATH, OR DAMAGE TO YOUR EQUIPMENT.**

### Grounding

- Attach Grounding Lug or Grounding Bar (not included) to Common Bonding Network (CBN), utilizing any bonus hole along the Front-to-Rear members of the frame.
- Attach and Detach Components to Cabinet Frame by disconnecting male female terminals.





## WARNING

### **Falling Equipment Hazard**

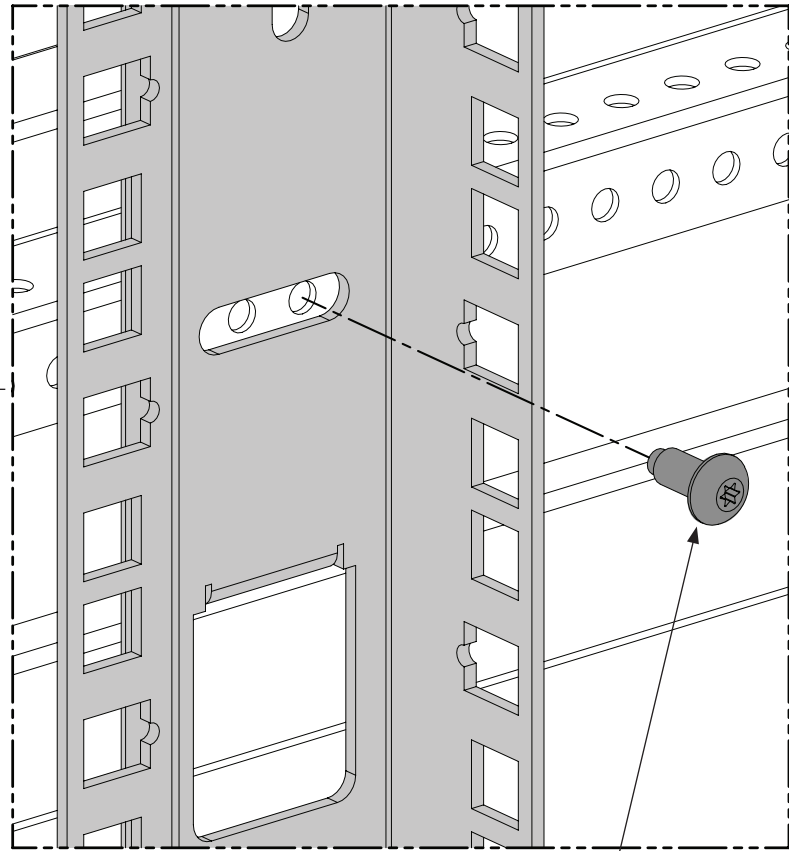
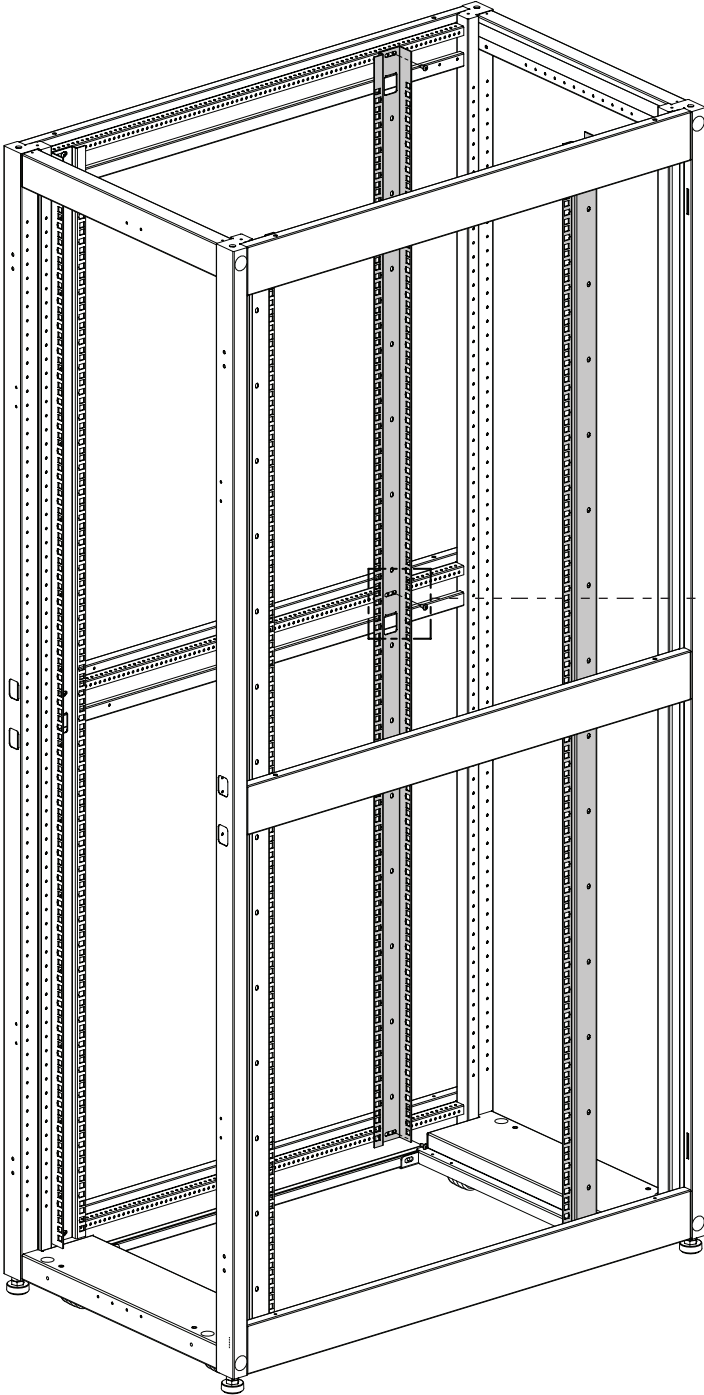
Remove all equipment installed onto equipment rails before performing any adjustments to equipment rail spacing.

**FAILURE TO FOLLOW THESE INSTRUCTIONS CAN LEAD TO SERIOUS INJURY, DEATH, OR DAMAGE TO YOUR EQUIPMENT.**

### **Equipment Rail Spacing Adjustment**

- Remove (3) M5 screws from top, middle, and bottom of equipment rails using T25 Torx bit.
- Adjust equipment rail to desired position and re-install M5 screws to  $2.7 \pm 0.3$  N·m [ $23.9 \pm 2.7$  in-lbs].

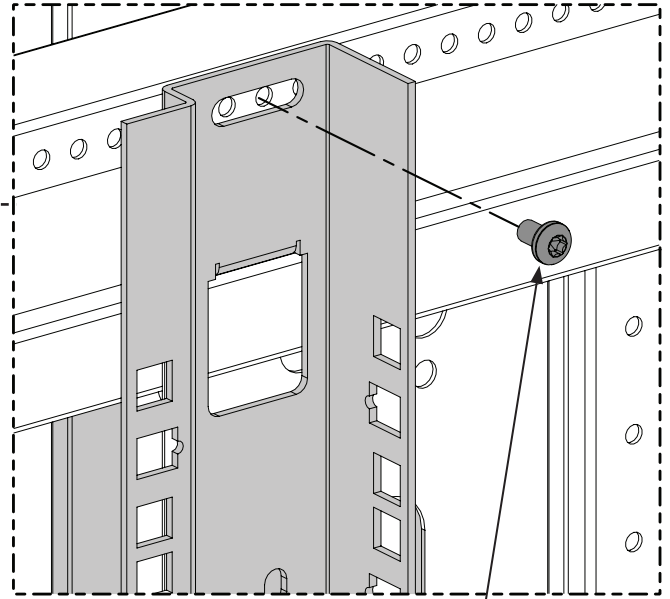
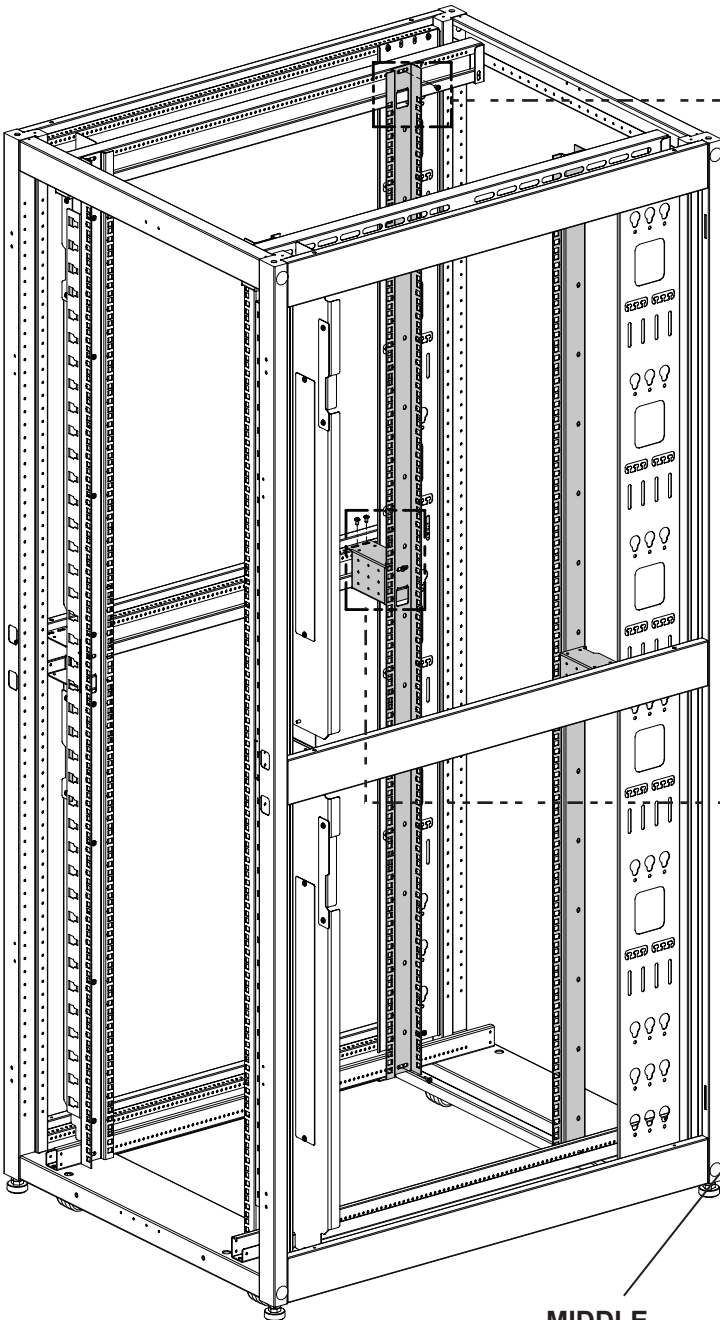
### **600mm Wide Cabinet**



(3) M5 Button Head Screw  
(use T25 Torx bit)  
Re-install M5 Button Head Screws  
to  $2.7 \pm 0.3$  N·m [ $23.9 \pm 2.7$  in-lbs]

- Remove (2) M5 screws from top and bottom of equipment rails using T25 Torx bit.
- Remove (2) M5 screws from middle equipment rail extensions using T25 Torx bit.
- Adjust equipment rail to desired position and re-install M5 screws to  $2.7 \pm 0.3 \text{ N}\cdot\text{m}$  [ $23.9 \pm 2.7 \text{ in}\cdot\text{lbs}$ ].

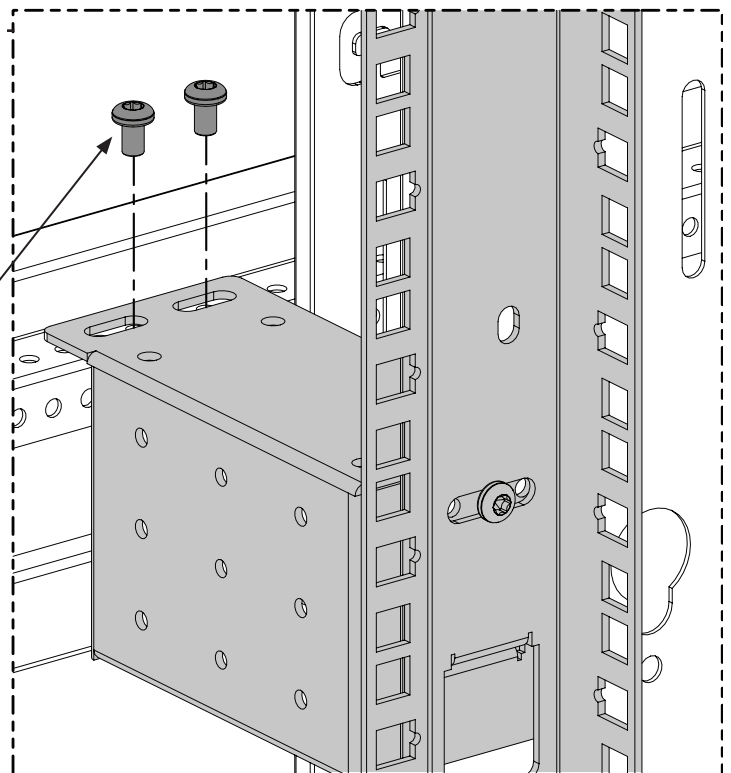
**800mm Wide Cabinet**



**TOP AND BOTTOM**

(2) M5 Button Head Screw  
(use T25 Torx bit)

Re-install M5 Button Head Screws  
to  $2.7 \pm 0.3 \text{ N}\cdot\text{m}$  [ $23.9 \pm 2.7 \text{ in}\cdot\text{lbs}$ ]



**MIDDLE**

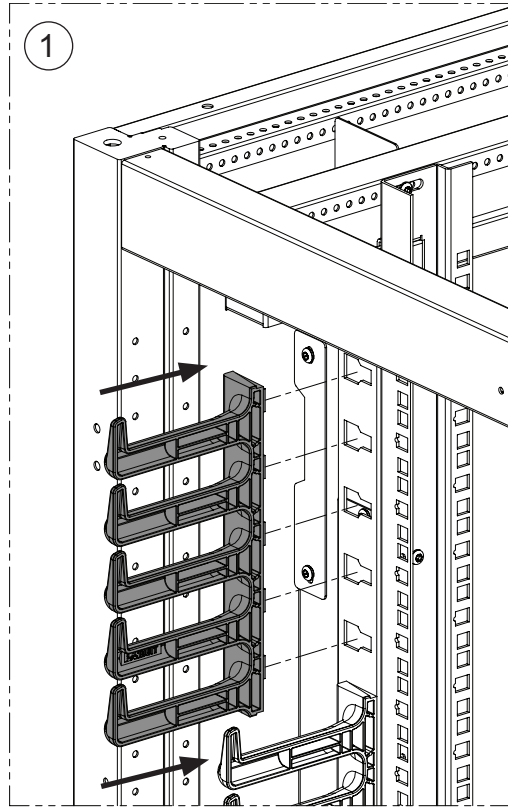
(2) M5 Button Head Screw  
(use T25 Torx bit)

Re-install M5 Button Head Screws  
to  $2.7 \pm 0.3 \text{ N}\cdot\text{m}$  [ $23.9 \pm 2.7 \text{ in}\cdot\text{lbs}$ ]

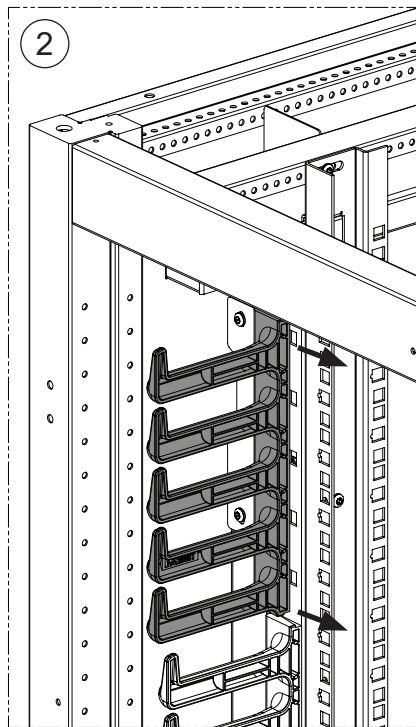
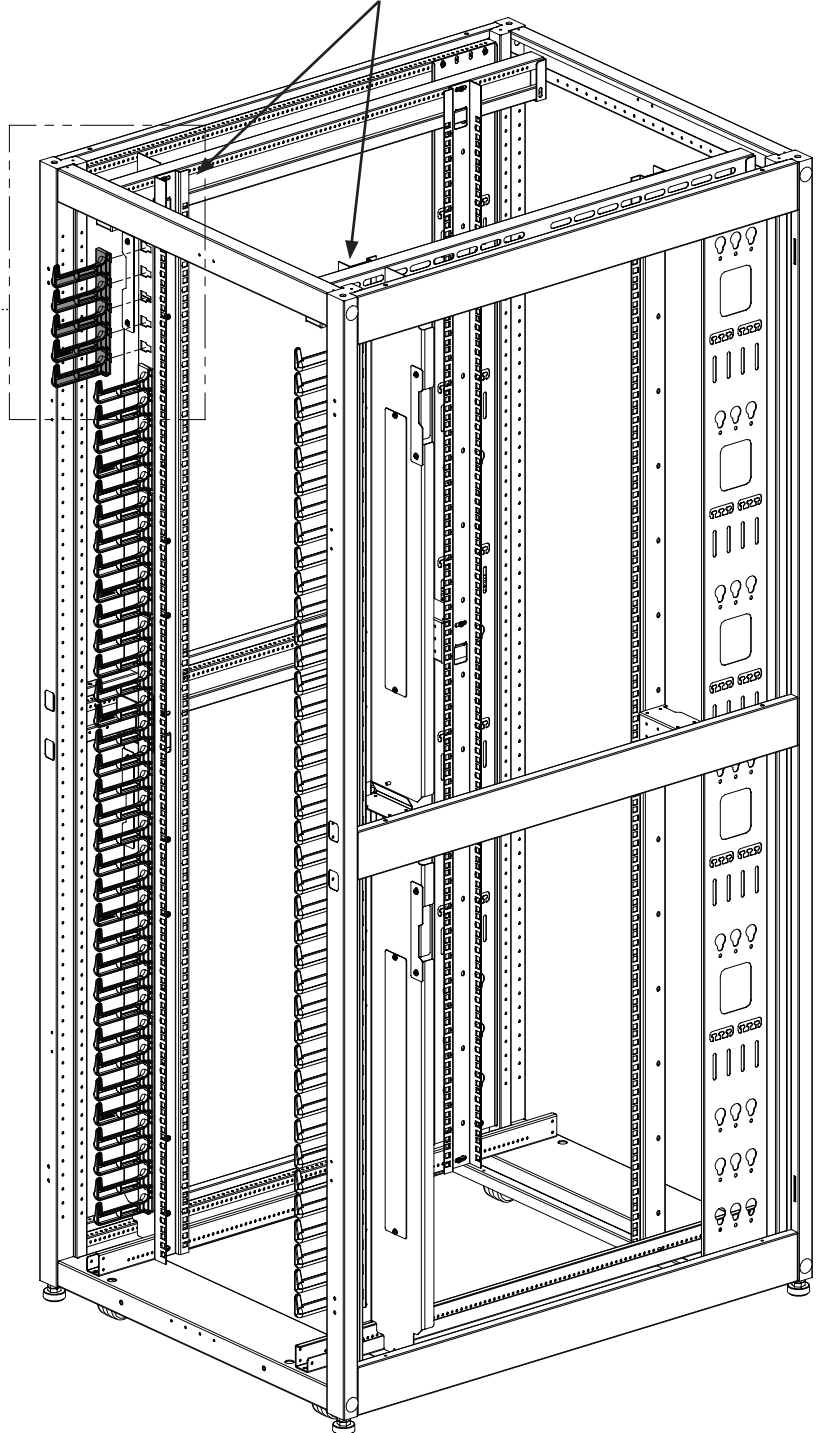
## Cable Management Fingers (800mm Cabinets Only)

Accessory part numbers: D12F for 42RU Cabinet. D15F for 45RU Cabinet. D18F for 48RU Cabinet.

- Adjust Front E-Rails back a minimum of 63.2mm [2.5"] per instructions on page 11.
- Install Cable Management Finger Bracket (**Sold Separately**).
- Insert tabs of Cable Management Finger into mounting slots next to front Equipment Rails.
- Slide Cable Management Finger inward to lock into place.



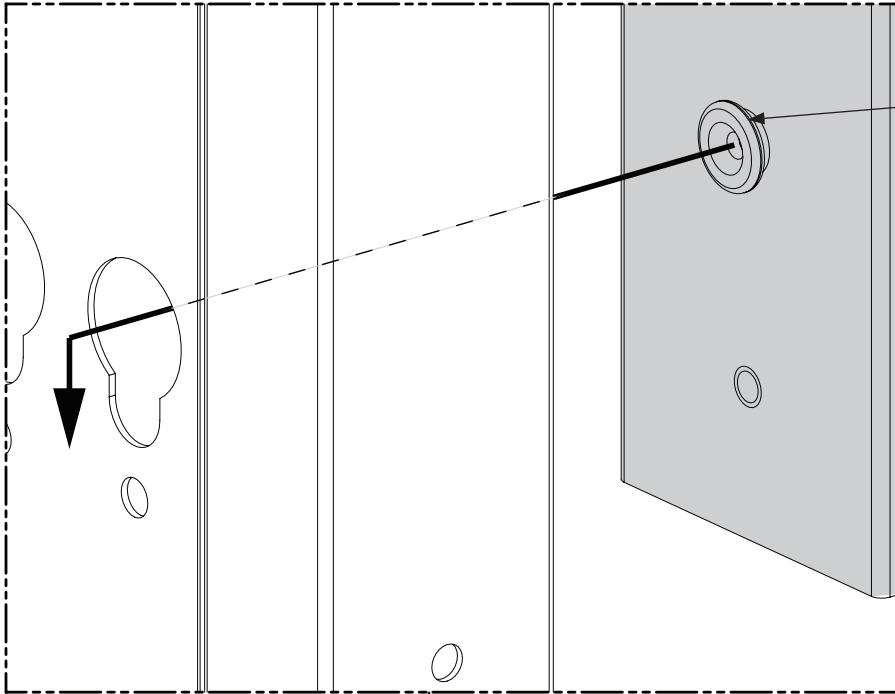
Adjust the 2 Front E-Rails back  
63.2mm [2.5"] prior to installing  
Cable Management Fingers



## Installing PDU's to Cabinet

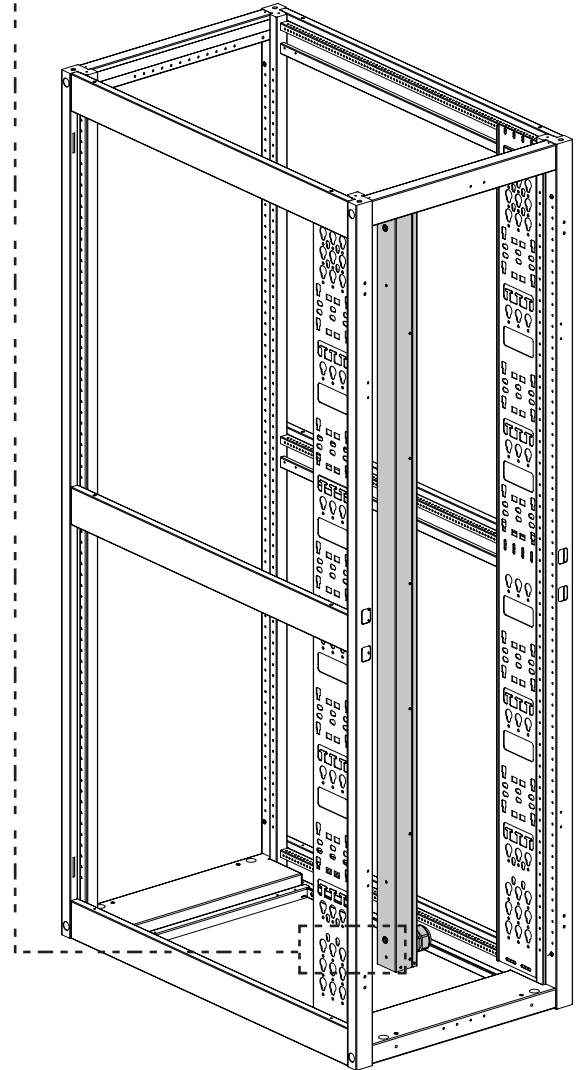
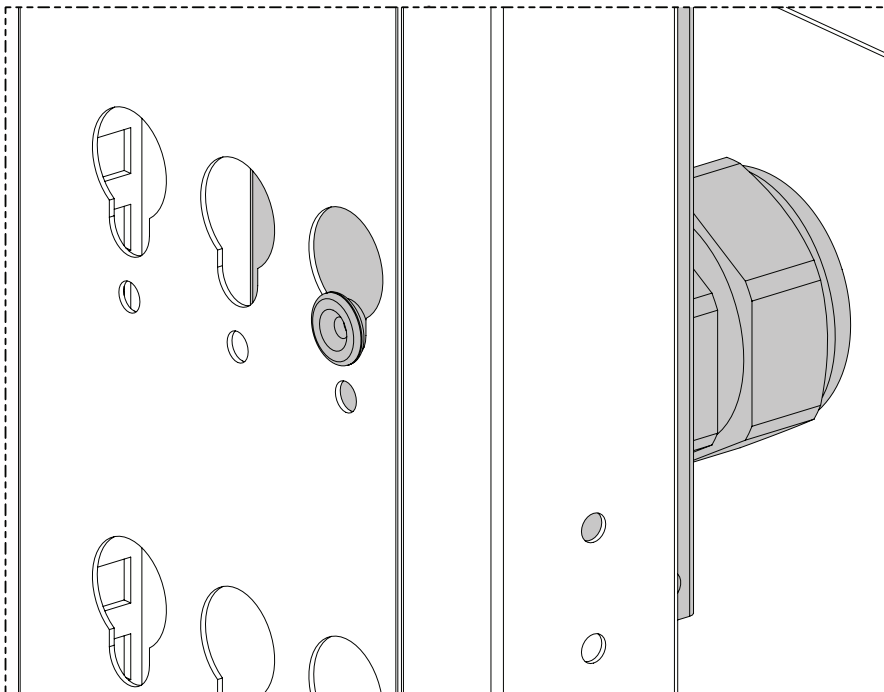
- Install first two PDU's on the two farthest back locations on either side of the cabinet.
- Additional PDU installation requires the removal of screw from middle of bracket.

1

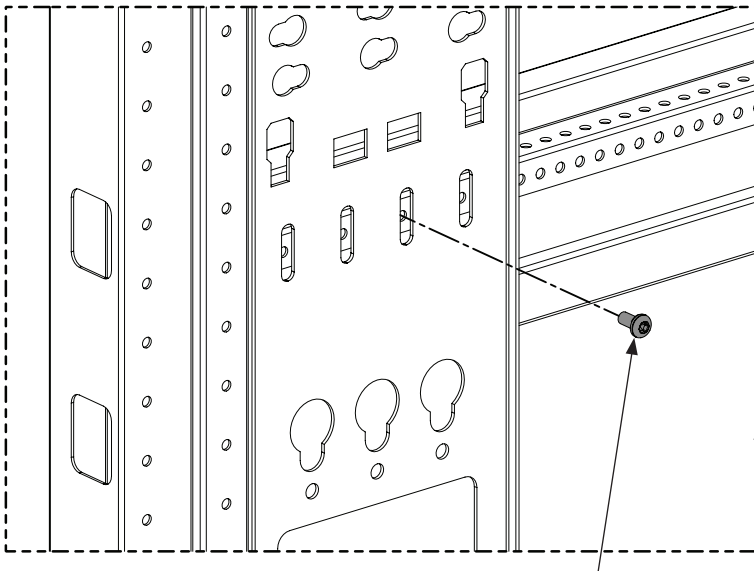


(2) Button on back of PDU

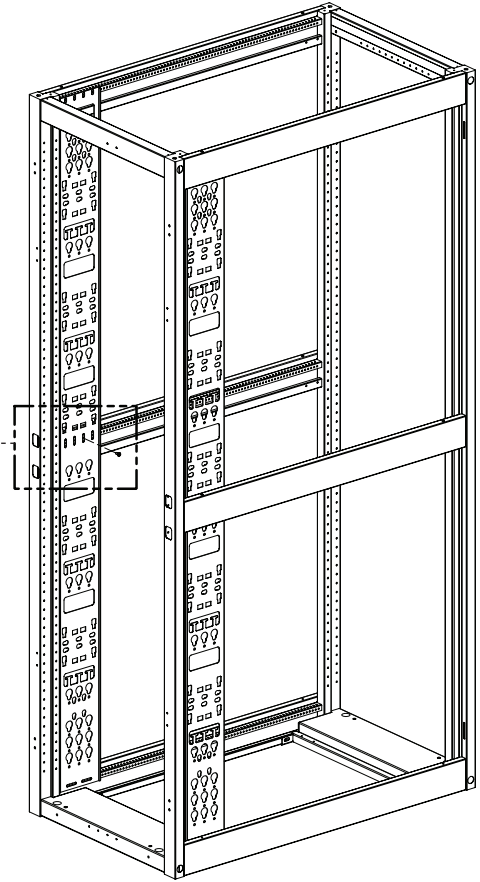
2



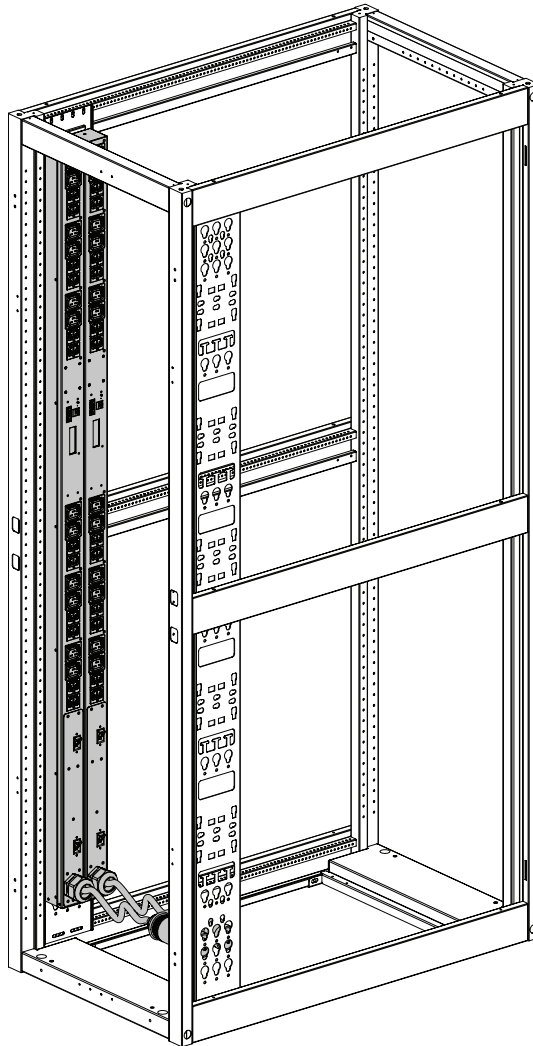
Installing more than one PDU to same side of cabinet requires removing screw from middle of bracket.



(1) M5 Button Head Screw  
(use T25 Torx bit)



Cabinet shown with two PDU's  
installed on same side

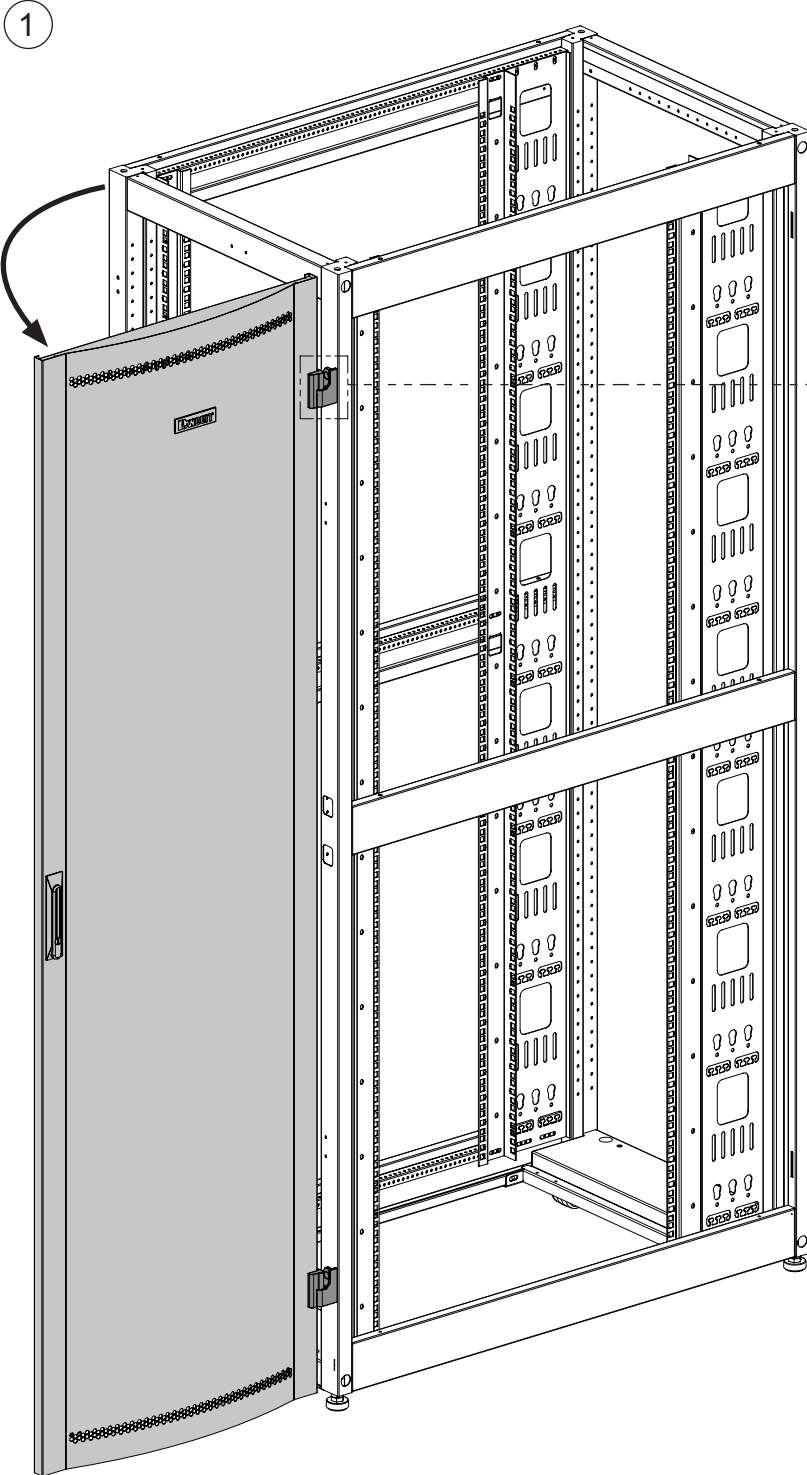




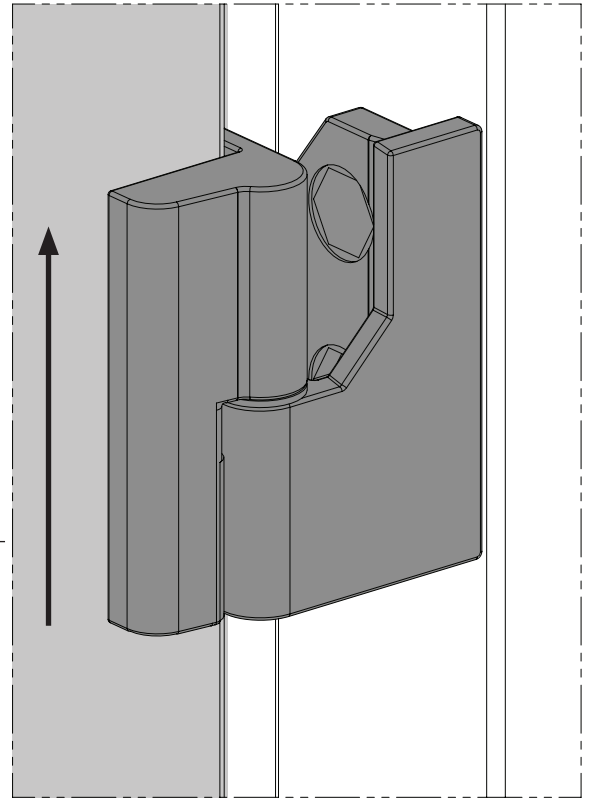
## Single Hinge Door (Removal and Installation)

- Open Door to approximately 90°.
- Detach grounding terminal from frame (see page 9).
- Lift Door off of hinges and pull away from Cabinet frame.
- **Reverse Steps** to install Single Hinge Door.

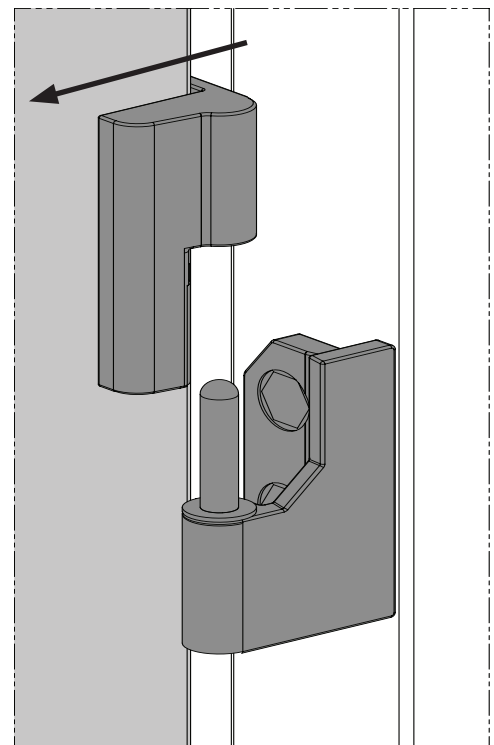
**Note:** Same steps as next page



② 2 Places



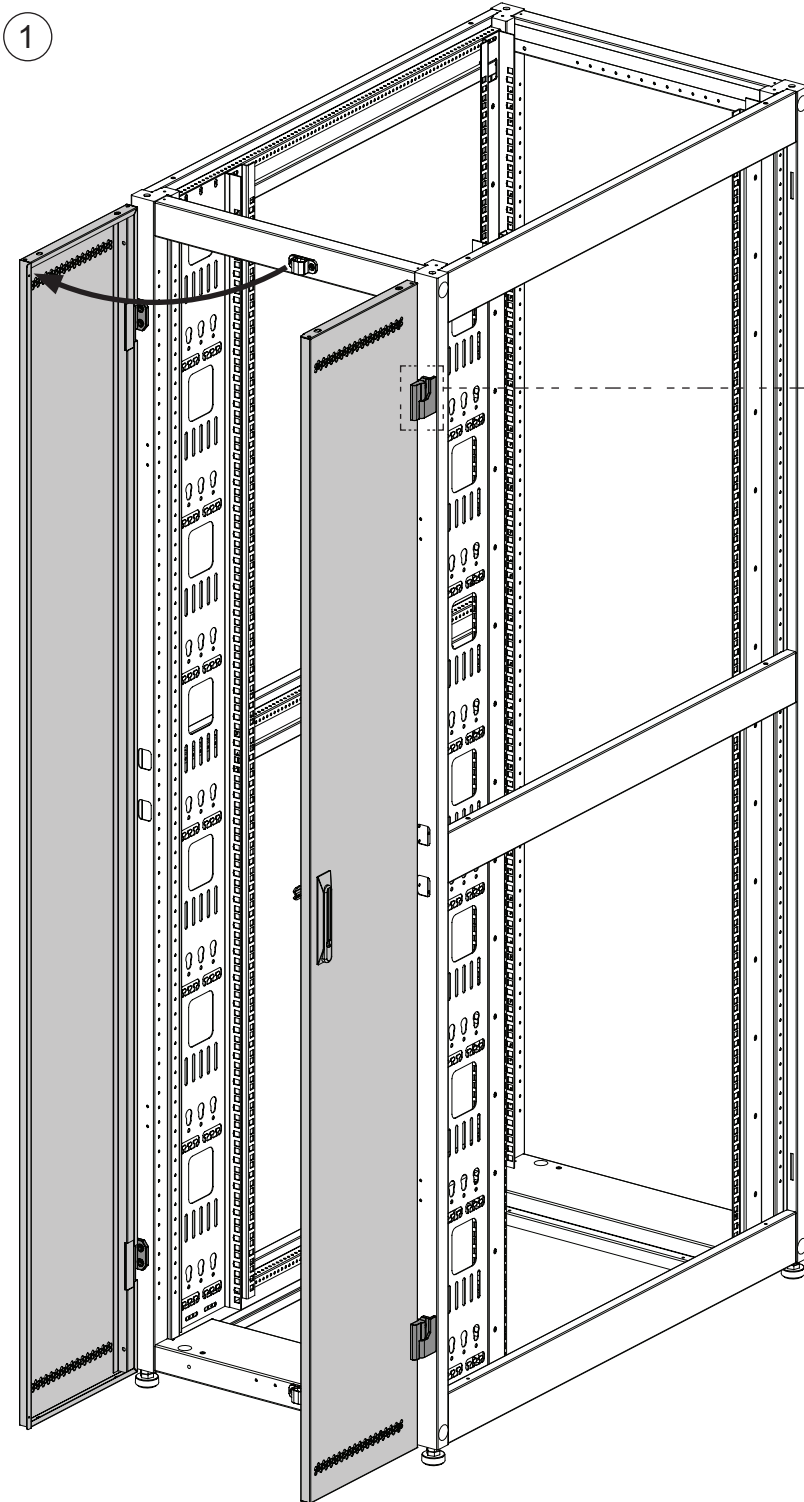
③



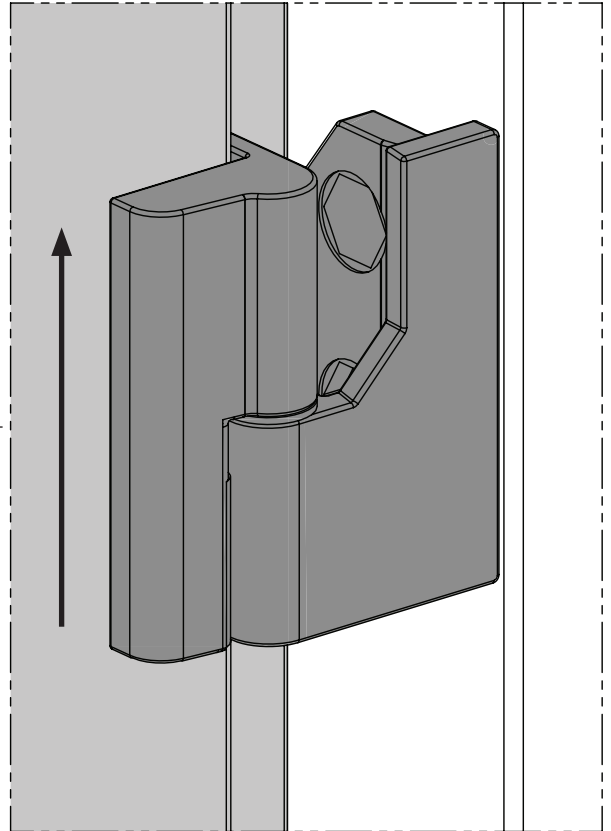
## Rear Split Doors (Removal and Installation)

- Open Rear Split Doors to approximately 90°.
- Detach grounding terminal from frame (see page 9).
- Lift Doors off of hinges and pull away from Cabinet frame.
- **Reverse Steps** to install Rear Split Doors.

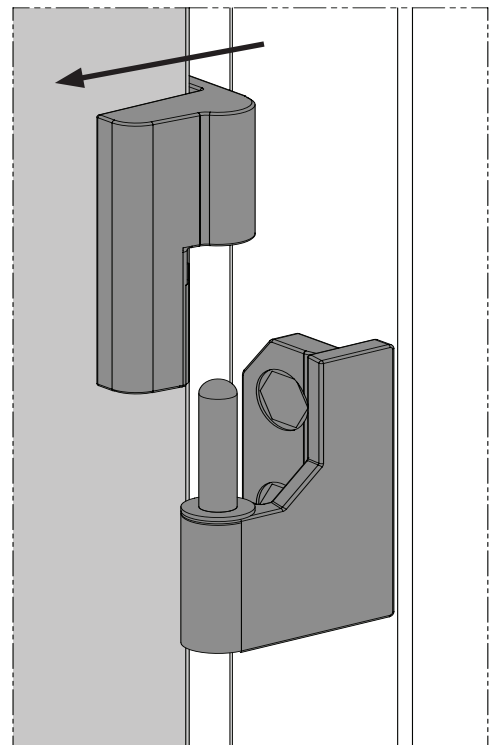
**Note: Top hinge pins are longer than bottom pins. Align Top pins first.**



② 4 Places



③



For Technical Support: [www.panduit.com/resources/install\\_maintain.asp](http://www.panduit.com/resources/install_maintain.asp)

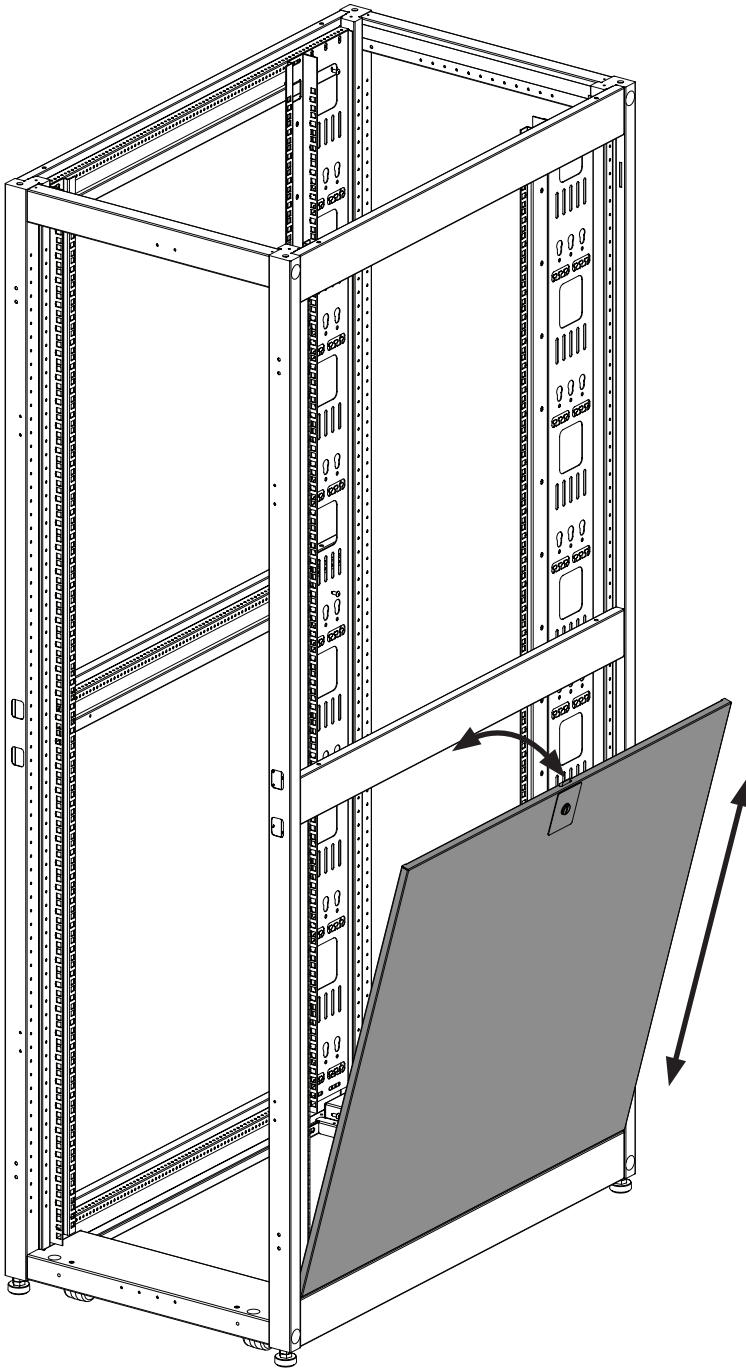


## Side Panels (Removal and Installation)

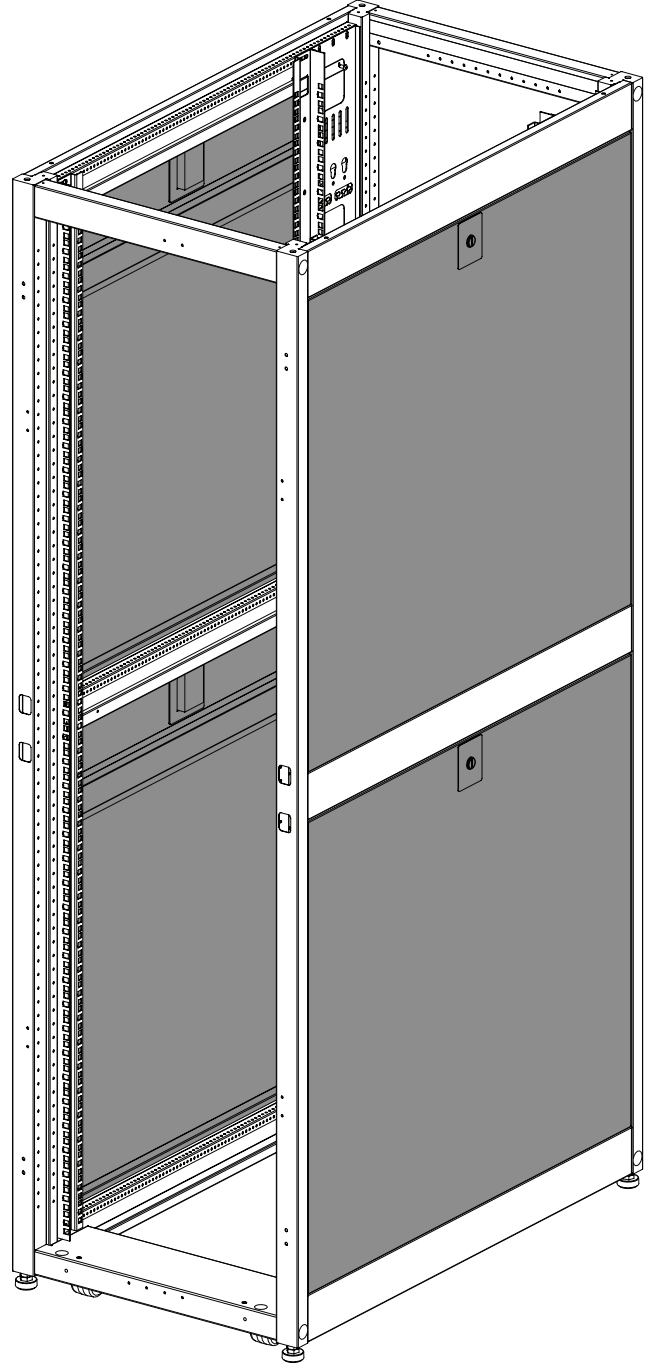
- Unlock Side Panel (if necessary) and pull handle.
- Detach grounding terminal from frame (see page 9).
- Tip Side Panel down, lift, and pull away from Cabinet frame.
- **Reverse Steps** to install Side Panels.

**Note:** The grounding whips are shipped in the detached position. Attach prior to installing any equipment.

① 4 Places



②



For Instructions in Local Languages  
and Technical Support:

[www.panduit.com/resources/install\\_maintain.asp](http://www.panduit.com/resources/install_maintain.asp)

**PANDUIT**

[www.panduit.com](http://www.panduit.com)

E-mail:  
[techsupport@panduit.com](mailto:techsupport@panduit.com)

Phone:  
866-405-6654