

PANDUIT

DFCT

DUCT FINGER CUTTING TOOL OPERATION INSTRUCTIONS

© Panduit Corp. 2018

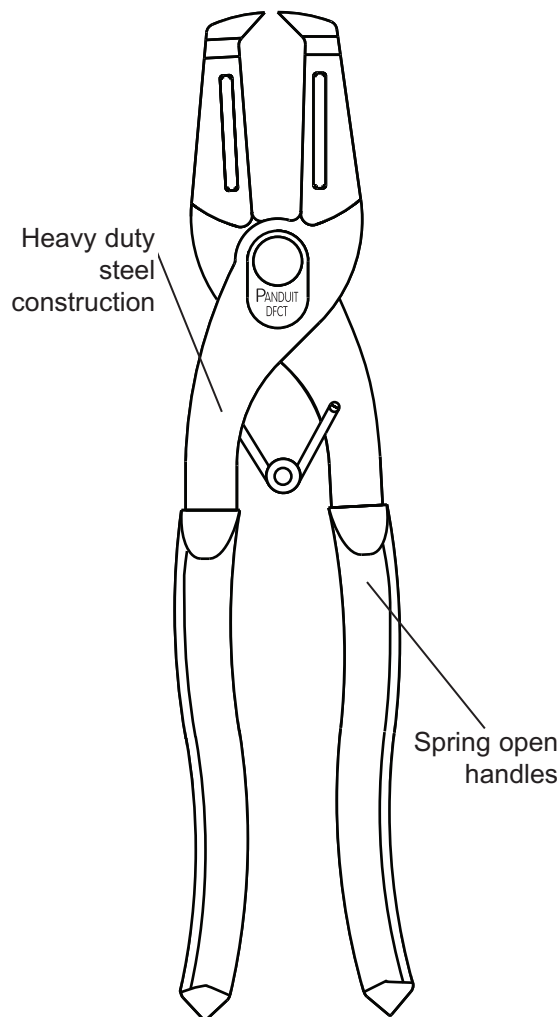
DUCT FINGER CUTTING TOOL

Cuts Panduct Wide Finger Wiring Duct; and removes NR1 Nylon Rivets

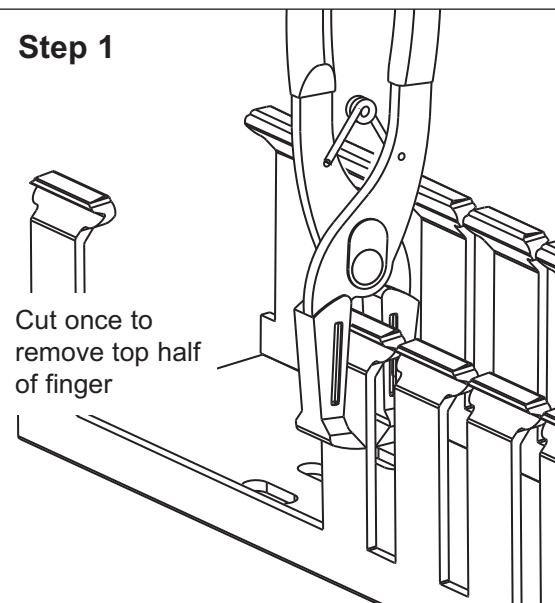
Part No. DFCT
OPERATION INSTRUCTIONS

USING DFCT TO REMOVE DUCT FINGER

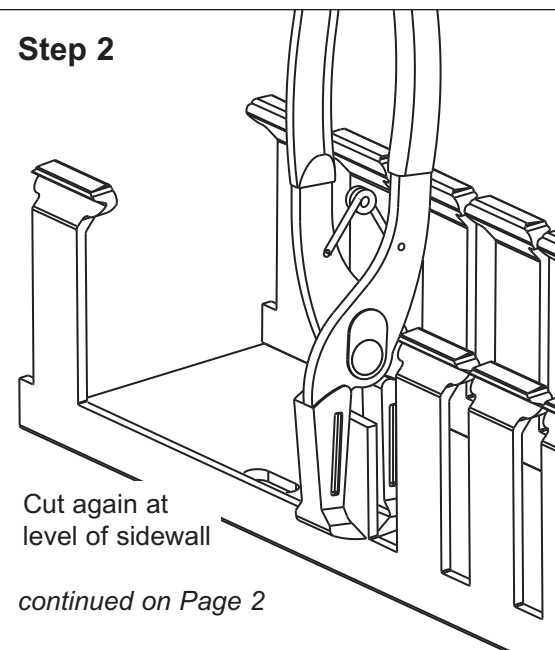
DFCT TOOL



Step 1



Step 2



⚠ WARNING

SAFETY GLASSES MUST BE WORN AT ALL TIMES WHEN USING THE DFCT TOOL.

USE CARE WHEN HANDLING TOOL; BLADE IS SHARP!

⚠ CAUTION

This precision tool has been engineered and designed for use with Panduct Plastic Wiring Duct; and to remove NR1 Nylon Rivets.

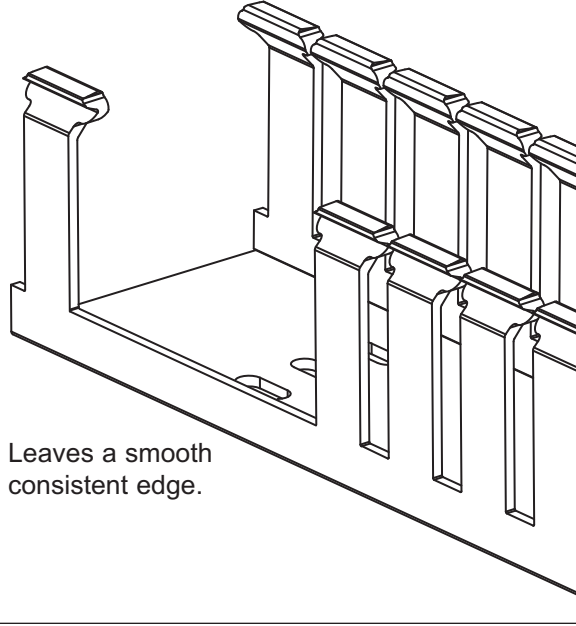
It is not intended for use on any other products or materials.

Email:
techsupport@panduit.com

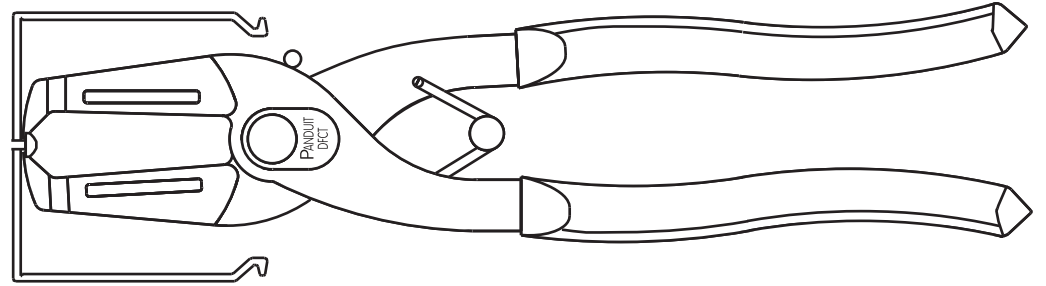
PANDUIT
www.panduit.com

Technical Support:
1-800-777-3300

Step 3

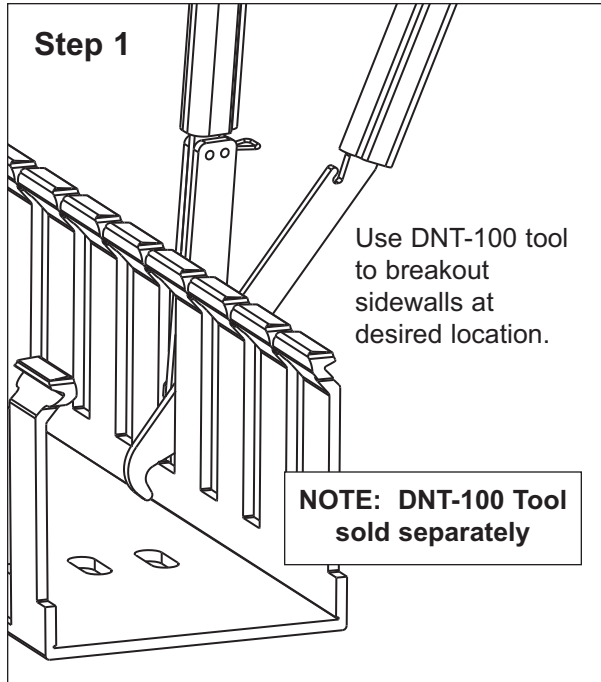


Also Removes NR1 Nylon Rivets

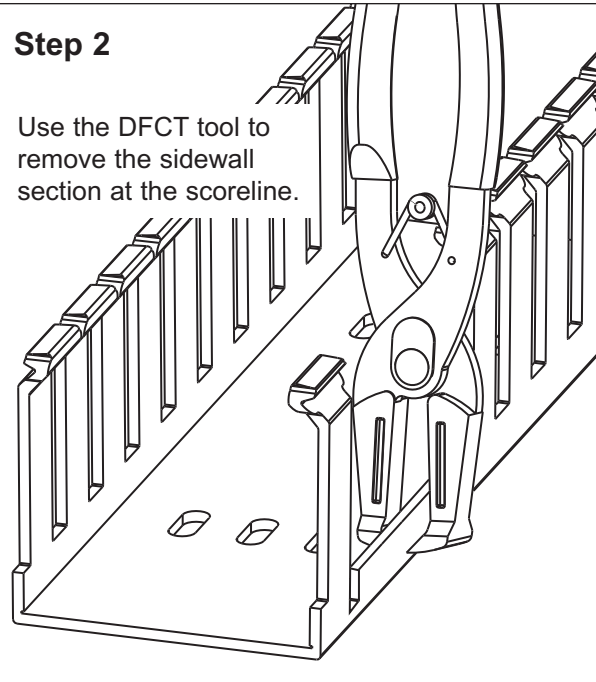


OPTIONAL: USING DFCT & DNT-100 TO REMOVE DUCT SIDEWALL

Step 1



Step 2



Step 3

