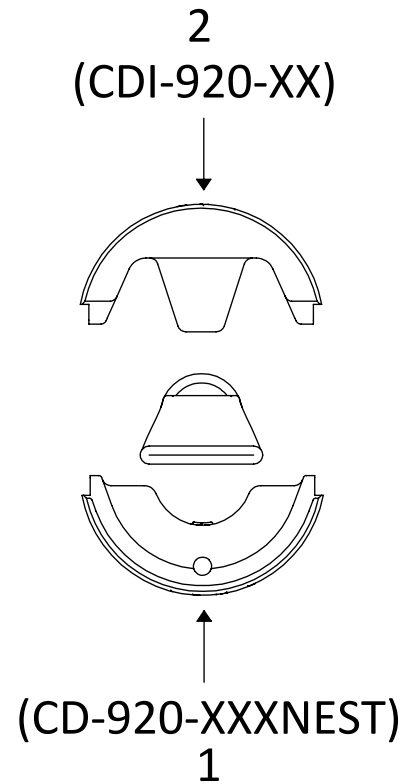
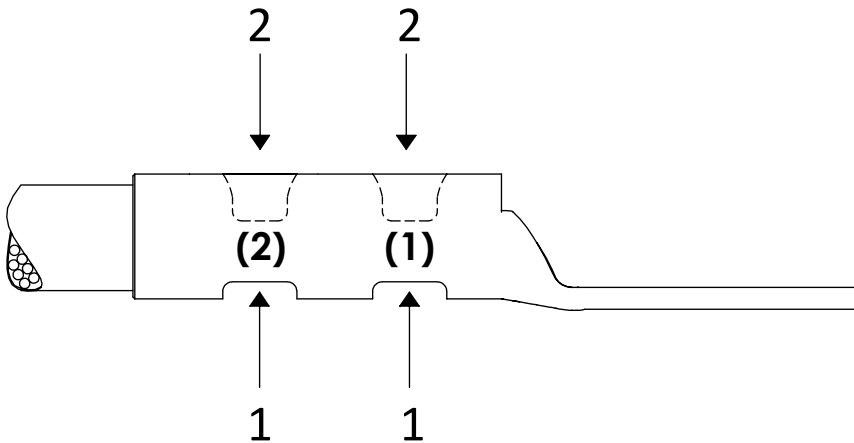
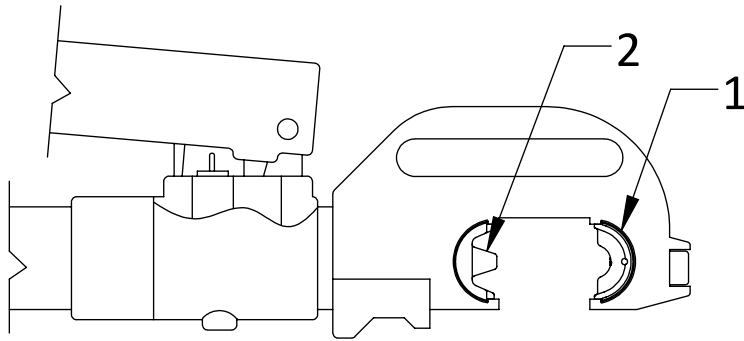
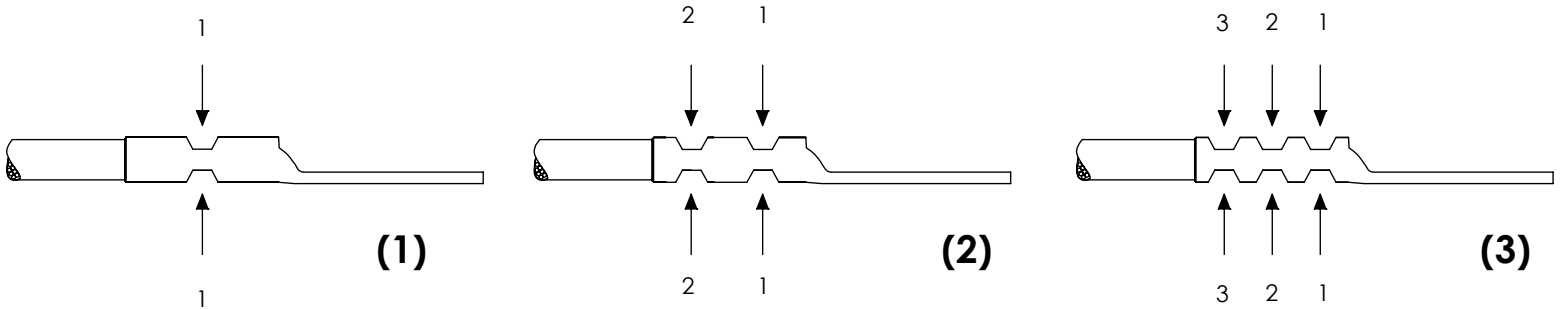


## CD-2001-XXX, CD-920-XXX



**Tool Chart for Compression Connectors Types LCMB and LCMC with Copper Cable**

			Panduit Tool Part Number For Class 2 Wire		Panduit Tool Part Number For Class 5 & 6 Wire					
			CT-2001 CT-2002 CT-3001	CT-2931 CT-930, CT-930CH CT-2930 CT-940CH* CT-2940	CT-2001 CT-2002 CT-3001	CT-2931 CT-930, CT-930CH CT-2930 CT-940CH*, CT-2940*	CT-2931 CT-930, CT-930CH CT-2930 CT-940CH*, CT-2940*			
Panduit Part No.	Wire Size & Class	Wire Strip Length (mm)	Die Part Number Color & Die Index Number (Crimp Qty.)		Wire Size & Class	Die Part Number Color & Die Index Number (Crimp Qty.)		Bottom Nest Die Part Number Die Color, Index Number	Top Indenter Die Part Number Die Index Number	Indenter (Crimps Per Connector)
LCMB10 LCMC10	10mm <sup>2</sup> Class 2r	25.6	CD-2001-8 Red P21 (2)	CD-920-8 Red P21 (2)	----	----	----	----	----	----
LCMB16 LCMC16	16mm <sup>2</sup> Class 2r	28.8	CD-2001-8 Red P21 (2)	CD-920-8 Red P21 (2)	10mm <sup>2</sup> Class 5f Class 6f	CD-2001-8 Red P21 (2)	CD-920-8 Red P21 (2)	----	----	----
LCMB25 LCMC25	25mm <sup>2</sup> Class 2r	28.3	CD-2001-4 Gray P29 (2)	CD-920-4 Gray P29 (2)	16mm <sup>2</sup> Class 5f Class 6f	CD-2001-8 Red P21 (2)	CD-920-8 Red P21 (2)	----	----	----
LCMB35 LCMC35	35mm <sup>2</sup> Class 2r	34.4	CD-2001-4 Gray P29 (2)	CD-920-4 Gray P29 (2)	25mm <sup>2</sup> Class 5f Class 6f	CD-2001-4 Gray P29 (2)	CD-920-4 Gray P29 (2)	----	----	----
LCMB50 LCMC50	50mm <sup>2</sup> Class 2r	38.2	CD-2001-1 Green P37 (2)	CD-920-1 Green P37 (2)	35mm <sup>2</sup> Class 5f Class 6f	CD-2001-2 Brown P33 (3)	CD-920-2 Brown P33 (3)	----	----	----
LCMB70 LCMC70	70mm <sup>2</sup> Class 2r	39.6	CD-2001-2/0 Black P45 (3)	CD-920-2/0 Black P45 (3)	50mm <sup>2</sup> Class 5f Class 6f	CD-2001-1 Green P37 (3)	CD-920-1 Green P37 (3)	----	----	----
LCMB95 LCMC95	95mm <sup>2</sup> Class 2r	44.6	CD-2001-4/0 Purple P54 (3)	CD-920-4/0 Purple P54 (3)	70mm <sup>2</sup> Class 5f Class 6f	CD-2001-2/0 Black P45 (3)	CD-920-2/0 Black P45 (3)	CD-920-250NEST Yellow P62	CDI-920-48 4	(2)
LCMB120 LCMC120	120mm <sup>2</sup> Class 2r	41.3	CD-2001-250 Yellow P62 (3)	CD-920-250 Yellow P62 (3)	95mm <sup>2</sup> Class 5f Class 6f	CD-2001-3/0 Orange P50 (3)	CD-920-3/0 Orange P50 (3)	CD-920-400NEST Blue P76	CDI-920-48 4	(2)
LCMB150 LCMC150	150mm <sup>2</sup> Class 2r	58.6	CD-2001-300 White P66 (3)	CD-920-300 White P66 (3)	120mm <sup>2</sup> Class 5f Class 6f	----	----	CD-920-400NEST Blue P76	CDI-920-48 4	(2)
LCMB185 LCMC185	185mm <sup>2</sup> Class 2r	57.9	CD-2001-400 Blue P76 (3)	CD-920-400 Blue P76 (3)	150mm <sup>2</sup> Class 5f Class 6f	----	----	CD-920-400NEST Blue P76	CDI-920-48 4	(2)
LCMB240 LCMC240	240mm <sup>2</sup> Class 2r	65.1	CD-2001-500 Brown P87 (3)	CD-920-500 Brown P87 (3)	185mm <sup>2</sup> Class 5f Class 6f	----	----	CD-920-500NEST Brown P87	CDI-920-48 4	(2)
LCMB300 LCMC300	300mm <sup>2</sup> Class 2r	70.0	----	CD-920-600 Green P94 (3)	240mm <sup>2</sup> Class 5f Class 6f	----	----	CD-920-750NEST Black P106	CDI-920-60 6	(2)
LCMBX300 LCMCX300	----	74.6	----	----	300mm <sup>2</sup> Class 5f Only	----	----	CD-920-300MXNST P32	CDI-920-60 6	(2)
LCMB400 LCMC400	400mm <sup>2</sup> Class 2r	66.8	----	CD-920-750 CD-940-750** Black P106 (3)	----	----	----	----	----	----
LCMB500 LCMC500	500mm <sup>2</sup> Class 2r	77.8	----	CD-940-1000** White P125 (4)	----	----	----	----	----	----
LCMB630 LCMC630	630mm <sup>2</sup> Class 2r	85.9	----	CD-940-1000** White P125 (5)	----	----	----	----	----	----
LCMB630 LCMC630	1000 kcmil Class G	85.9	----	CD-940-750A** Red P125 (2) CD-940-1000** White P125 (3)	----	----	----	----	----	----

\*CD-920 dies can be used with CT-940CH and CT-2940 tools with CD-940-DA die adapter.

\*\*CD-940 dies to be used exclusively with CT-940CH and CT-2940 tools.

Copper Class 2r, 5f and 6f stranded copper conductor per DIN VDE 0295, IEC 60228 and HDE 383.

†Parts are CE and tested per EN61238-1:2003/IEC 61238-1: 2003 Class B, with class 2r wire 10mm<sup>2</sup> - 240mm<sup>2</sup>



LISTED

CERTIFIED

For Instructions in Local Languages  
and Technical Support:



E-mail:  
cs@panduit.com

Fax:  
708-444-6993