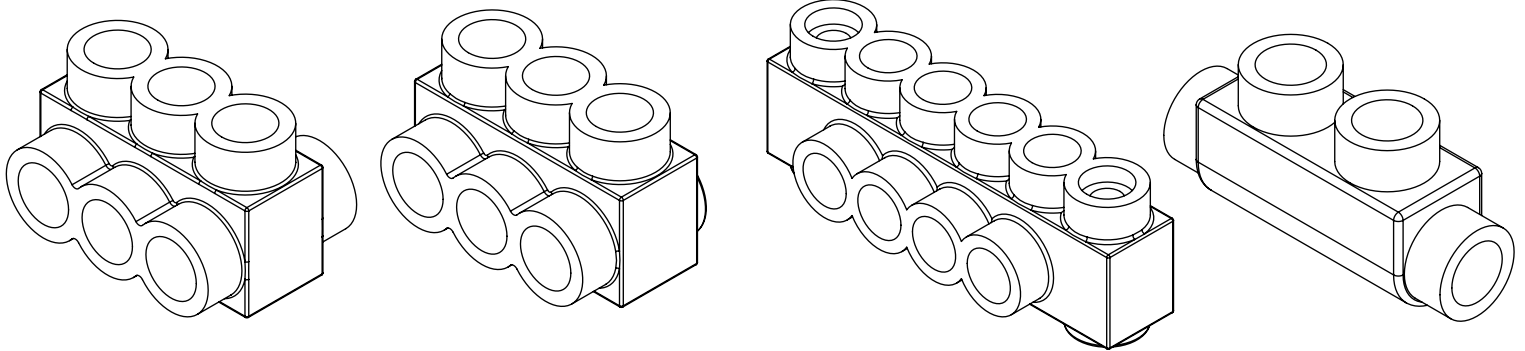




266-PC



1. Remove caps from wire and screw ports which are to be utilized.
2. Strip wire insulation to length shown on label. Do not nick or ring conductor strands. For aluminum wire, the stripped wire should be wire brushed to remove oxide film
3. Insert wire fully into open port of connector. (One wire per port only). Rotate wire in port to disperse anti-oxidant.
4. Tighten clamping screws to torque value shown on label.
5. Replace caps in screw and unused wire ports.

Panduit Multi-Tap Connectors with Isolated Mounting Holes should be installed in compliance with the current National Electrical Code and Canadian Electrical code

Mounting hardware shall be 1/4" in diameter and shall be appropriate for the mounting surface.

Mounting hardware shall not cut or penetrate in any way the insulation isolating the mounting holes. Doing so will compromise the function of the connector and void all warranties.

Any electrical product can cause electrical shock or fire hazard when installed or used improperly.

All Panduit Multi-Tap Connectors with Isolated Mounting Holes are Listed to U.S. and Canadian safety standards when installed in conformance to the above codes.