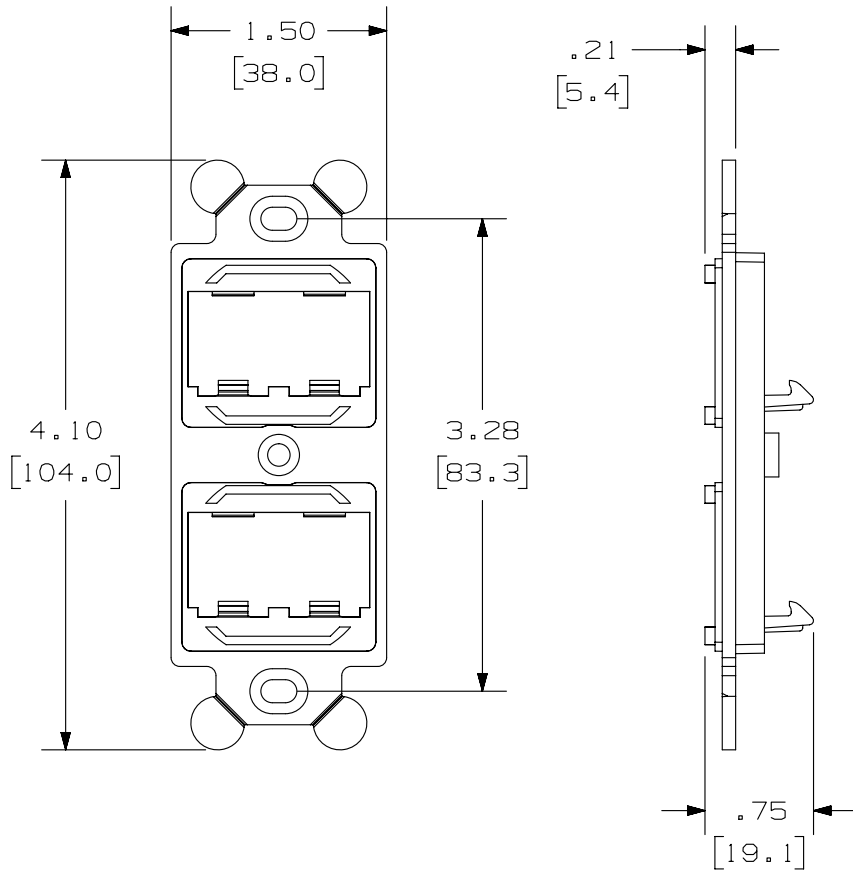


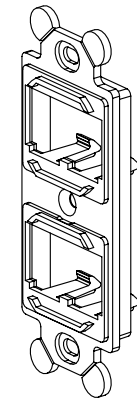
THIS COPY IS PROVIDED ON A RESTRICTED BASIS AND IS NOT TO BE USED IN ANY WAY DETRIMENTAL TO THE INTERESTS OF PANDUIT CORP.



PANDUIT P/N	WEIGHT
CF1064**Y	.29 LB/10 PCS (131.5 g/10 PCS)

NOTES:

- SEE CURRENT CATALOG FOR ADDITIONAL PART NUMBER SUFFIXES TO INDICATE COLOR AND OR PACKAGE QUANTITY.
- SEE CATALOG FOR COMPLETE LIST OF PARTS APPLICABLE FOR USE WITH THIS PART.
- DIMENSIONS IN PARENTHESES ARE IN METRIC.
- CF1064** INCLUDES:
1- 106 FRAME
2- MOUNTING SCREW



PART NUMBER		CF1064**Y	
TITLE		MINI-COM 4 POSITION "106" SERIES FRAME	
		CUSTOMER DRAWING	
ITEM REVISION NAME		M02479GS/00	
DATASET FILE NAME		M02479GS_DC177/00B	
UNLESS OTHERWISE SPECIFIED, DIMENSIONAL TOLERANCES ARE: IN [mm]		MATERIAL:	
.x ± .1 [2.54] .xxx ± .005 [.127]		ABS	
.xx ± .01 [.25] ANGLES ± 5 °		DRAWING NUMBER:	
 THIRD ANGLE PROJECTION		02479-177	
DRAWN BY	DATE	CHK	SCALE
JSP	4-26-06	MJD	NONE
REV	DATE	BY	CHK
1	3/11/14	JSP	REFR
R	4-26-06	JSP	MJD
DESCRIPTION		ECN	
A. REVISED DRAWING TITLE BLOCK.		02479-177	
RELEASED TO PRODUCTION		02479-177	
SHT 1 OF 1		A	

D10100DA/14

2

1

2

1