



READ ALL OF THE FOLLOWING INSTRUCTIONS BEFORE
REMOVING **CABINET** FROM SKID

NET-ACCESS S-Type Server Cabinets

TOOL LIST

- | | |
|------------------------|--------------------|
| -Phillips screwdriver | -7mm socket wrench |
| -Flatblade screwdriver | -T30 Torx bit |
| -22mm socket wrench | -T25 Torx bit |
| -15mm socket wrench | -6mm Allen key |
| -13mm socket wrench | -2.5mm Allen key |
| -8mm socket wrench | -Wire cutter |
| -48" level | |

PANDUIT *NET-ACCESS S-Type Server Cabinets* (Server Configurations)

© Panduit Corp. 2012-2015

INSTALLATION INSTRUCTIONS

CM599H

NOTE: Some views in this document may vary slightly from your actual cabinet configuration.



Disclaimer:

The information contained in this manual is intended as a guide for use by persons having technical skill at their own discretion and risk. The recommended practices are based on average conditions. Panduit makes no representation or warranty, express or implied, nor assumes any responsibility for the accuracy or completeness of these installation instructions. Panduit does not guarantee any favorable results nor assume any liability for damages, improper installation, system failures, or any other problems that could arise in connection with the use of these installation instructions.

FOR TECHNICAL SUPPORT www.panduit.com/resources/install_maintain.asp

IMPORTANT SAFETY INFORMATION



WARNING

CABINET TIPPING HAZARD

This cabinet can easily be tipped. Use extreme caution when unpacking or moving the cabinet.

Use **at least [2] persons** to remove cabinet from pallet and move cabinet into position (*refer to page 5*).

After the cabinet has been removed from the pallet, ensure that the leveling legs are in the fully-retracted position (*refer to pages 5-6*) before rolling the cabinet on casters. It is recommended to add at least 300 lbs. of equipment to the bottom 10 RU of the cabinet to provide extra stability before rolling the cabinet.

When rolling the cabinet on casters, push the cabinet from the front or rear only, to prevent the cabinet from tipping on its side.

FAILURE TO FOLLOW THESE INSTRUCTIONS CAN LEAD TO SERIOUS INJURY, DEATH, OR DAMAGE TO YOUR EQUIPMENT.

Safety Notes:

The maximum static weight load of the cabinet is 3000 lbs. [1361 kg]. The maximum weight load when the cabinet is rolling on casters is 2500 lbs. [1134 kg]. The weight load should be evenly distributed across the height of the cabinet, with the heaviest components mounted at the bottom of the cabinet.

The maximum weight load on the integral cabinet top cable routing system is 200 lbs. [91 kg].

The maximum weight load on the following shelves: RSHLF, RSHLF23, RSHLF36 is 275 lbs. [125 kg].

The maximum operating temperature is 50° C; so that the installer is able to determine acceptability of use of accessories and components in the operating state.

The equipment shall be installed or serviced by trained service personnel in accordance with the applicable requirements of the National Electric Code, ANSI/NFPA 70 or Canadian Electrical Code and the applicable sections of ANSI C2, the National Electrical Safety Code. The instruction shall not result in the risk of fire, electric shock, or injury to persons.

UL Listing covers enclosure cabinet only

Table of Contents - Net-Access S-Type Server Cabinets

| General Cabinet Operation | Page |
|---|-------------|
| Packaging Material Removal..... | 5 |
| Leveling..... | 6 |
| Floor Mounting..... | 7 |
| Ganging..... | 8-9 |
| Grounding..... | 10 |
| Equipment Rail Adjustment..... | 11 |
| Equipment Rails (Zero RU QuickNet™ Patching Adapter Installation)..... | 12 |
| Overhead Cable Openings..... | 13 |
| Cable Management Fingers Installation (SN15F, SN25F)..... | 14 |
| Single Hinge Door (<i>Removal and Installation</i>) | 15-16 |
| Rear Split Doors (<i>Removal and Installation</i>) | 17 |
| Side Panels (<i>Distinguishing Features</i>) | 18 |
| Side Panels (<i>Removal/Installation and Adjustment - optional</i>) | 19 |
| PDU Bracket Adjustment..... | 20 |
| Cable Management/PDU Bracket Adjustment..... | 21 |
| Cabinet Sealing..... | 22 |
| Front and Back Floor Seals (<i>for vertical exhaust ducts</i>) | 23 |
| Top of Cabinet Cable Manager Installation..... | 24 |
| Top of Cabinet Cable Manager Installation (<i>for vertical exhaust ducts</i>) | 25 |

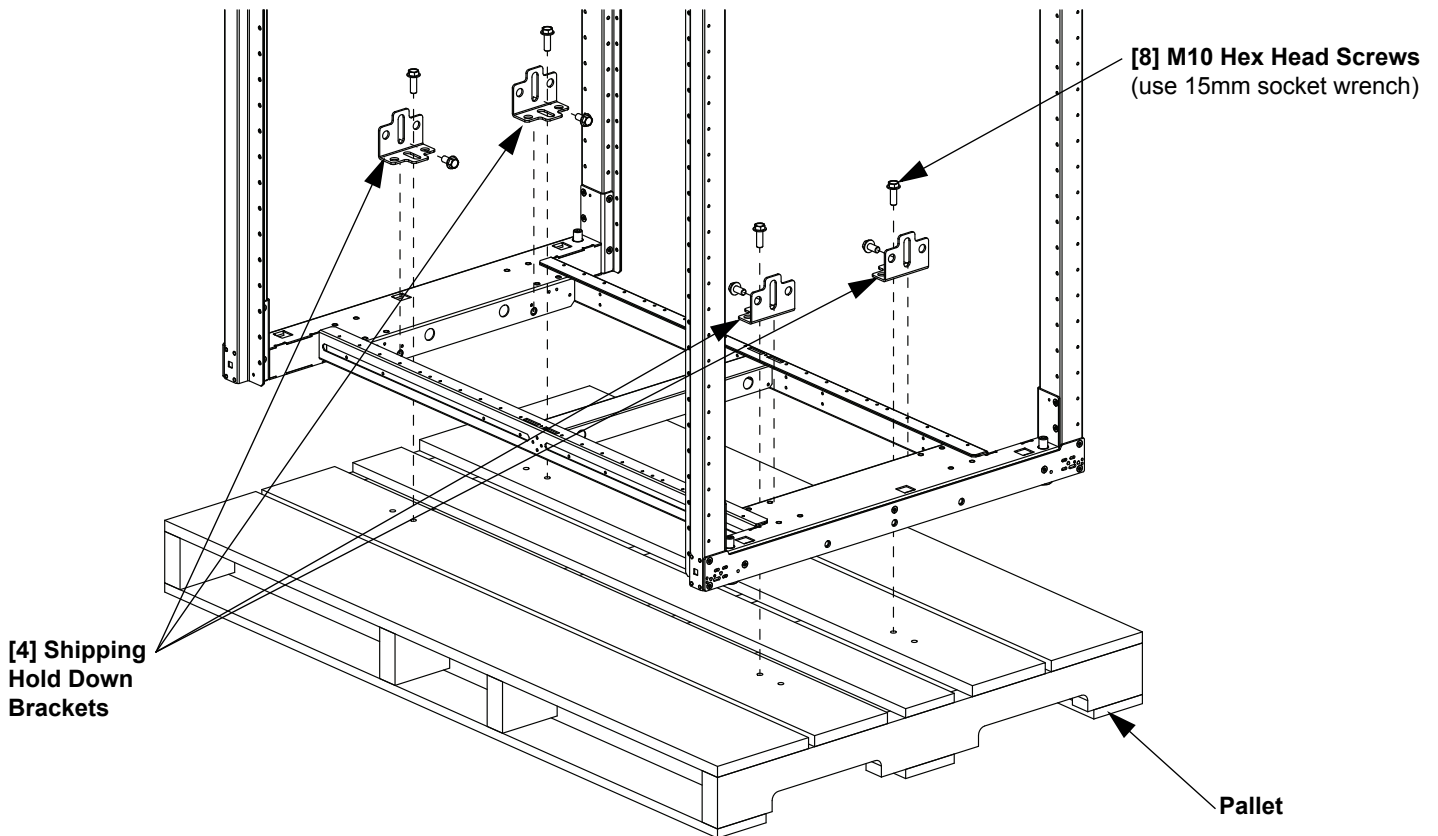
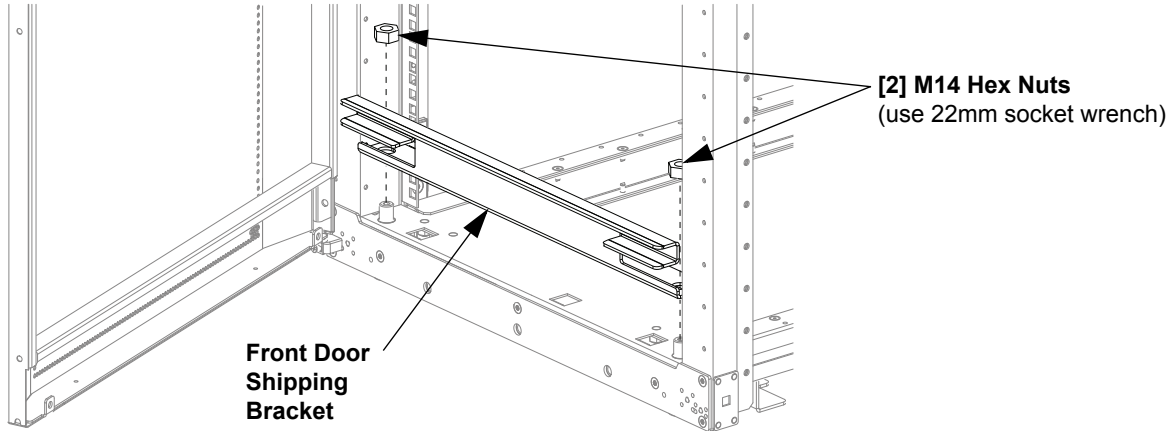
Packaging Material Removal

“Shipping Hold Down Bracket” Doubles as Floor Mounting Bracket. Retain bracket if floor mounting is desired. (see Page 7)

- Remove all stretchwrap and protective cardboard from outside of cabinet
- Remove all Shipping Brackets (if necessary)
- Remove [4] Hold Down Brackets at front and rear of cabinet
- Use **at least [2] persons** to carefully lift and remove cabinet from pallet

IMPORTANT:

Leveling Legs must be fully retracted before the cabinet is moved into place. Sliding cabinet on leveling legs may result in damage to the leveling legs. (Leveling Legs ship in retracted position)

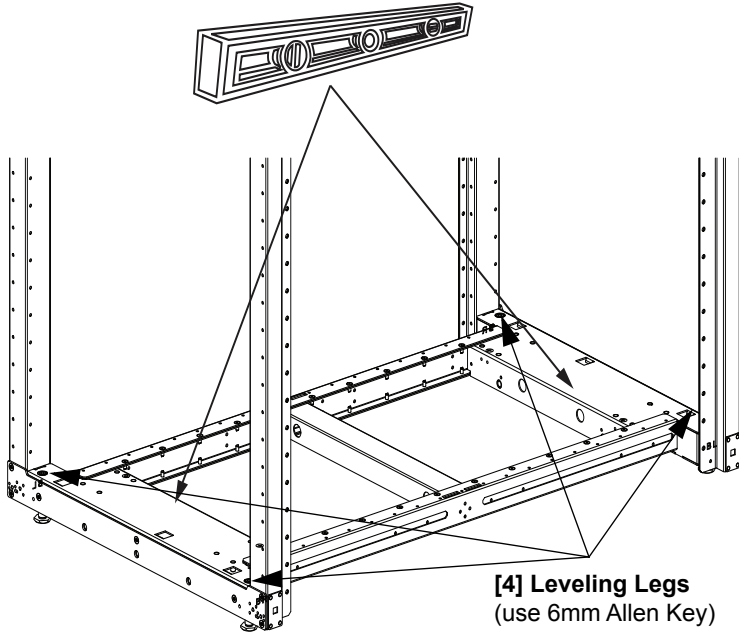


Note: Doors, side panels, and other components are removed for clarity

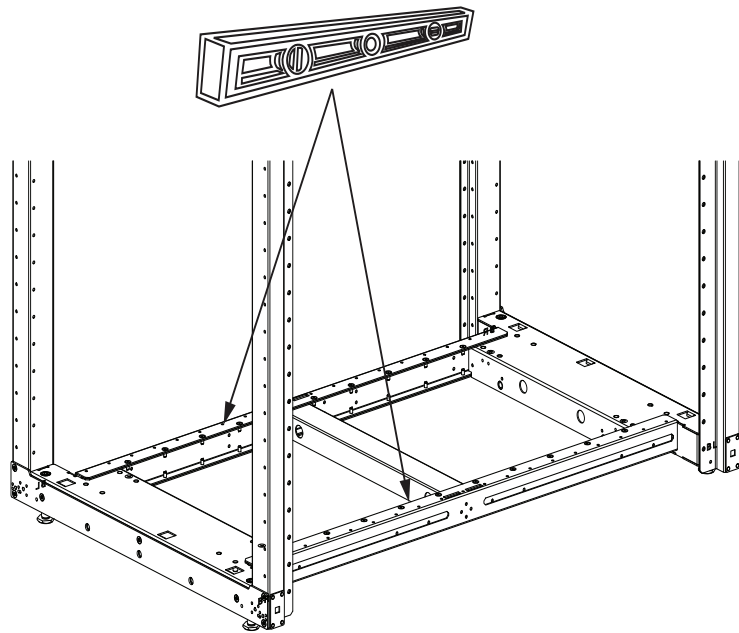
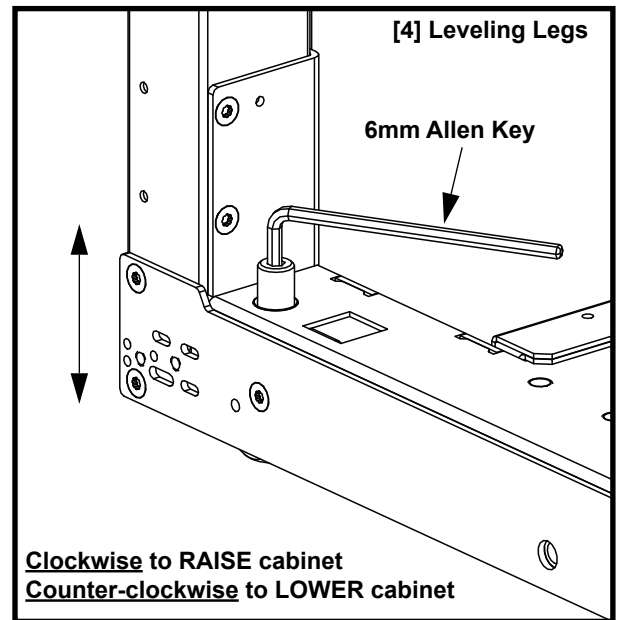
For Technical Support: www.panduit.com/resources/install_maintain.asp

Leveling

- Ensure that [4] Leveling Legs are fully retracted
- Slide Cabinet into final position
- Lower the [4] Leveling Legs until the cabinet weight is fully supported by only the leveling legs
- Adjust the [4] Leveling Legs so that the cabinet is level front-to-back and side-to-side



Front-to-Back Cabinet Leveling



Side-to-Side Cabinet Leveling

Note: When ganging multiple cabinets together, ensure that adjacent cabinets are adjusted to the same height.

For Technical Support: www.panduit.com/resources/install_maintain.asp

⚠ WARNING

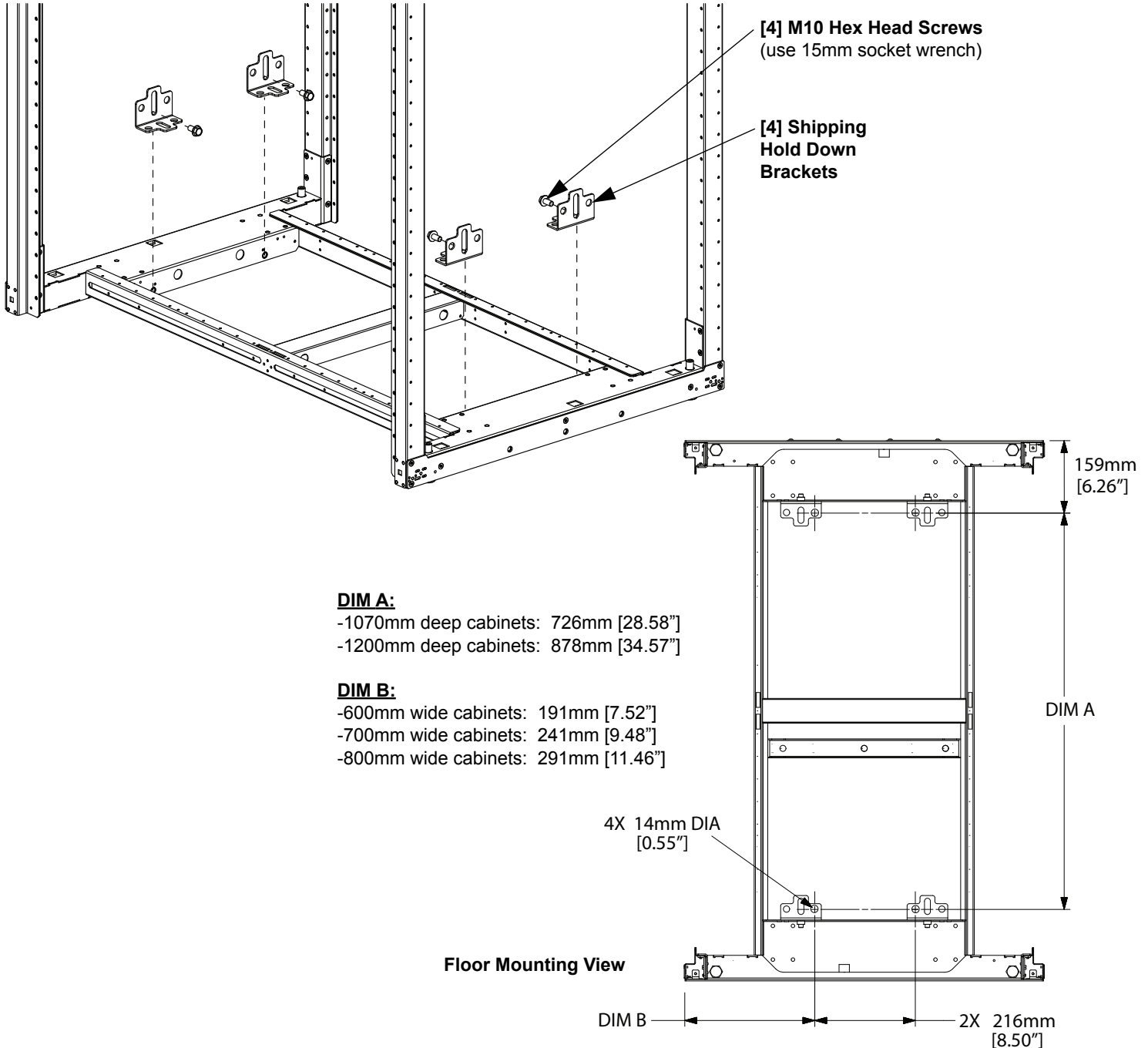
CABINET TIPPING HAZARD

Mount cabinet to floor before equipment is installed in cabinet.

FAILURE TO FOLLOW THESE INSTRUCTIONS CAN LEAD TO SERIOUS INJURY, DEATH, OR DAMAGE TO YOUR EQUIPMENT.

Floor Mounting

- Ensure that [4] Leveling Legs are fully retracted
- *If Necessary*, secure [4] "Shipping Hold Down Brackets" at front and rear of cabinet
- See **Floor Mounting View** below for floor mounting dimensions
- Attach the anchors to the floor with appropriate hardware for your type of floor



For Technical Support: www.panduit.com/resources/install_maintain.asp

 **WARNING****CABINET TIPPING HAZARD**

Gangung of cabinets only provides limited stability to the cabinets, and is not a substitute for proper leveling or floor mounting of cabinets. Ensure that cabinets are properly mounted to floor before equipment is installed in cabinet. (See page 7)

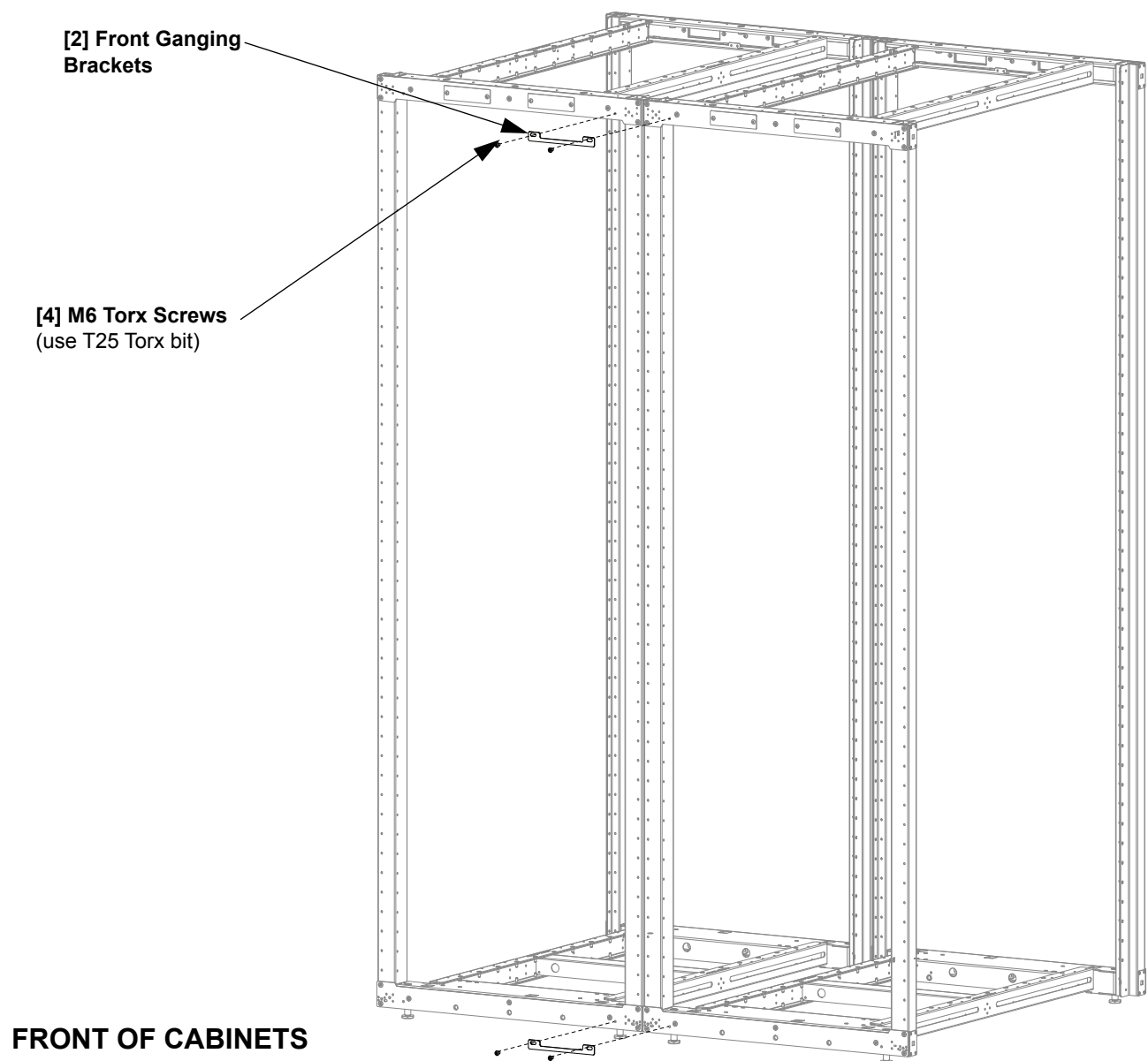
FAILURE TO FOLLOW THESE INSTRUCTIONS CAN LEAD TO SERIOUS INJURY, DEATH, OR DAMAGE TO YOUR EQUIPMENT.

Gangung (front of cabinet)

- Ensure cabinets are level
- Secure Gangung Brackets to cabinets at [2] front locations shown below
- Do not use Gangung Brackets to cinch cabinets together

IMPORTANT:

Ensure cabinets are level by following the guidelines on page 6. Leveling the cabinet prior to gangung is important to ensure proper door operation.



⚠ WARNING

CABINET TIPPING HAZARD

Gangung of cabinets only provides limited stability to the cabinets, and is not a substitute for proper leveling or floor mounting of cabinets. Ensure that cabinets are properly mounted to floor before equipment is installed in cabinet. (See page 7)

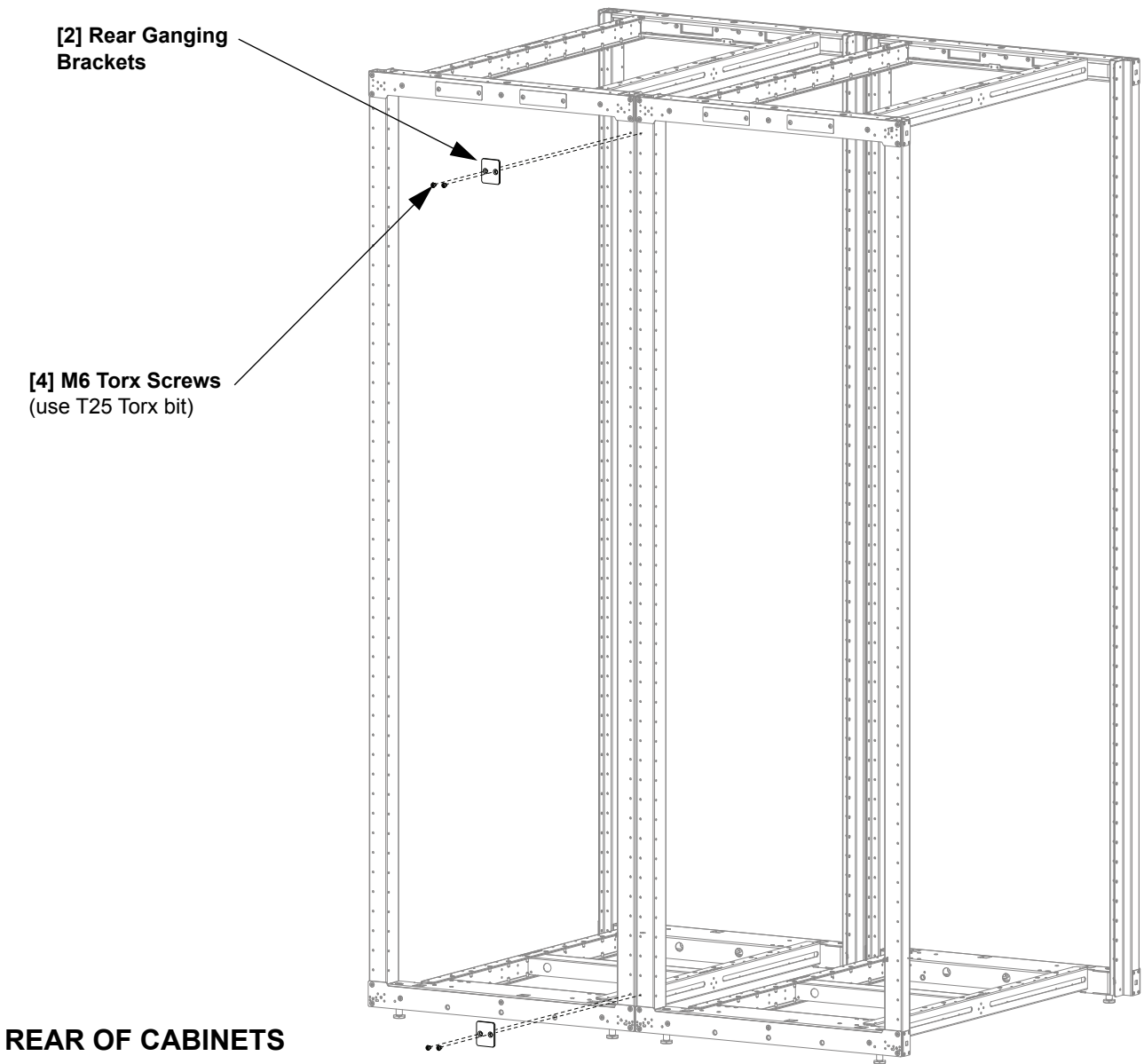
FAILURE TO FOLLOW THESE INSTRUCTIONS CAN LEAD TO SERIOUS INJURY, DEATH, OR DAMAGE TO YOUR EQUIPMENT.

Ganging (rear of cabinet)

- Ensure cabinets are level
- Secure Ganging Brackets to cabinets at [2] rear locations shown below
- Do not use Ganging Brackets to cinch cabinets together

IMPORTANT:

Ensure cabinets are level by following the guidelines on page 6. Leveling the cabinet prior to ganging is important to ensure proper door operation.



⚠ DANGER

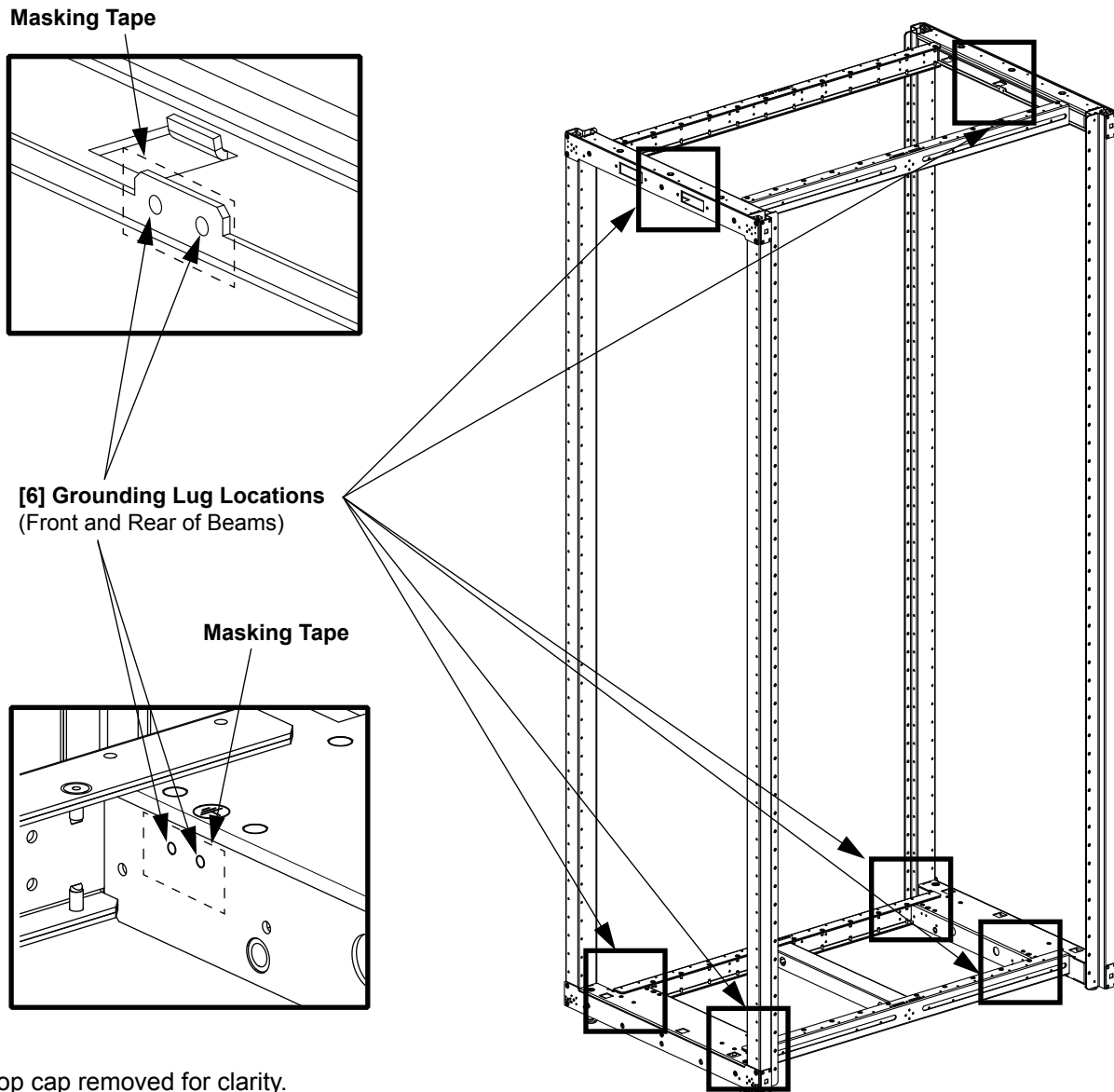
ELECTRICAL SHOCK HAZARD

Each cabinet must be connected to the Common Bonding Network (CBN).

FAILURE TO FOLLOW THESE INSTRUCTIONS CAN LEAD TO SERIOUS INJURY, DEATH, OR DAMAGE TO YOUR EQUIPMENT.

Grounding

- Attach Grounding Lug or Grounding Bar to Common Bonding Network (CBN) at any of the [6] location(s) shown below
- Grounding location is indicated by universal ground symbol near grounding lug locations
- Remove factory-installed masking tape at grounding lug location to expose unpainted surface of cabinet frame. Grounding lug or grounding bar must be assembled onto this unpainted surface (*per NEC NFPA 70 Article 250.12*)
- Use [2] M5 bonding screws to fasten grounding terminal to cabinet frame (torque screws to 5.1 N-m (45 in-lb))



Note: top cap removed for clarity.

⚠ WARNING

FALLING EQUIPMENT HAZARD

Remove all equipment installed onto equipment rails before performing any adjustments to equipment rail spacing.
FAILURE TO FOLLOW THESE INSTRUCTIONS CAN LEAD TO SERIOUS INJURY, DEATH, OR DAMAGE TO YOUR EQUIPMENT.

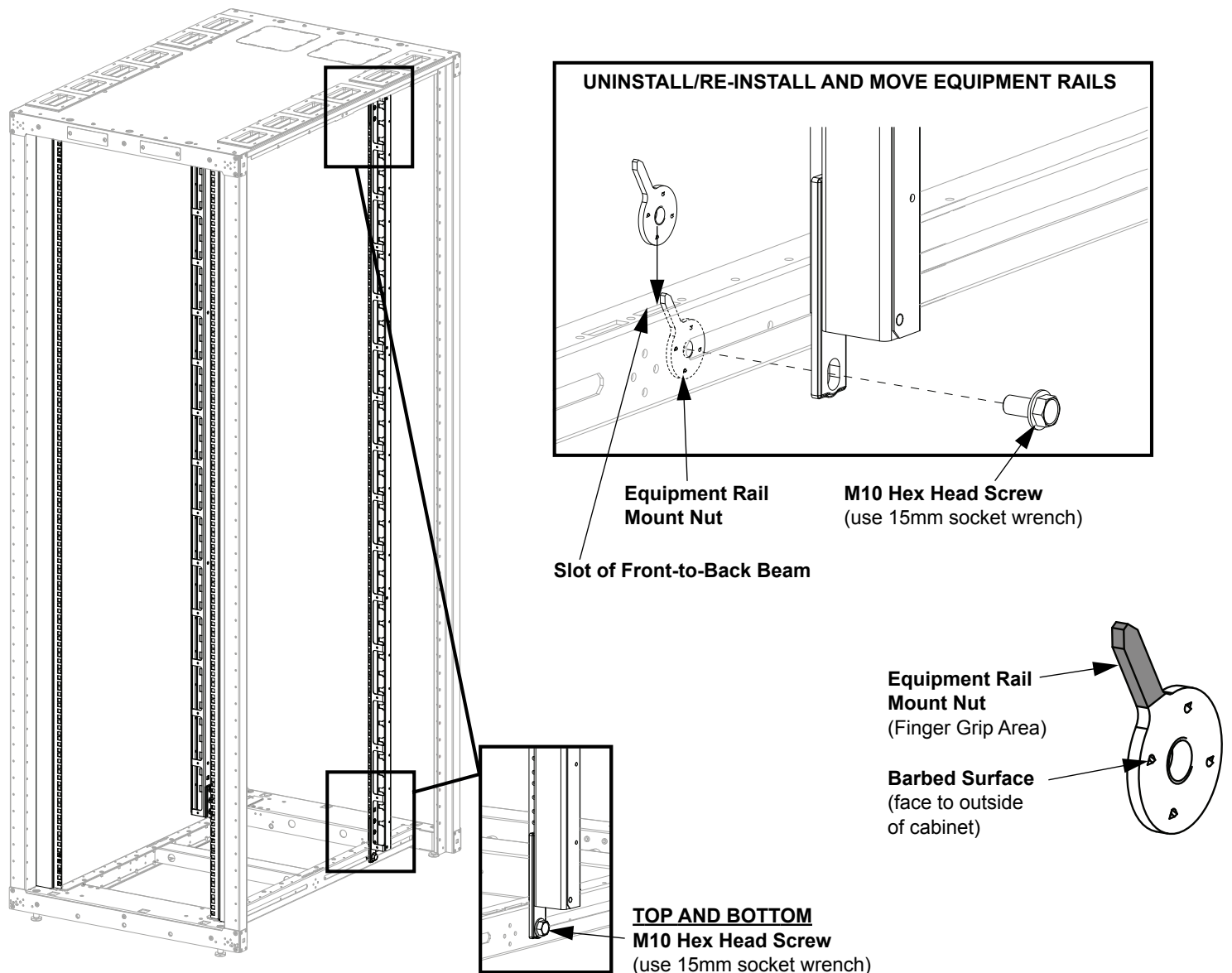
Equipment Rail Adjustment

- Loosen M10 Hex Head Screw at top and bottom of rear equipment rail
- Adjust equipment rail to desired position
- Tighten M10 Hex Head Screw to 30.0 +/- 5.0 N-m [22.1 +/- 3.7 Ft-lbs]

NOTE: Front equipment rails are in a fixed position

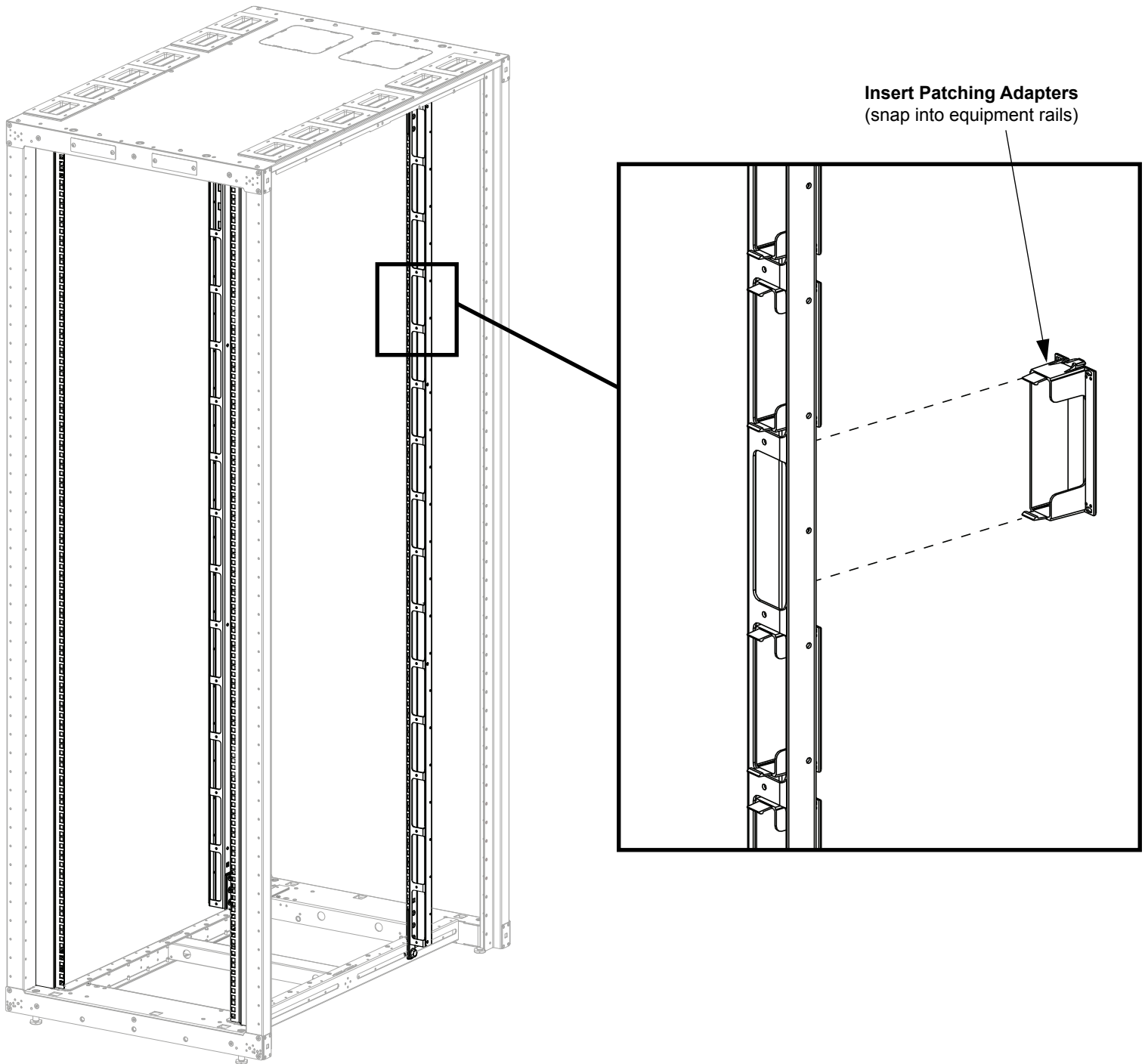
Uninstall/Re-install and Move Equipment Rails (Top and Bottom Locations)

- Remove [2] M10 Hex Screws at top and bottom of Equipment Rail
- Remove [2] Equipment Rail Mount Nuts through slots of Front-to-Back Beam
- **REVERSE STEPS** to re-install Equipment Rails (*insert Equipment Rail Mount Nuts through slots of Front-to-Back beam while holding finger grip of mount nut; ensure that barbed surface of Equipment Rail Mount Nut faces outside of cabinet*)



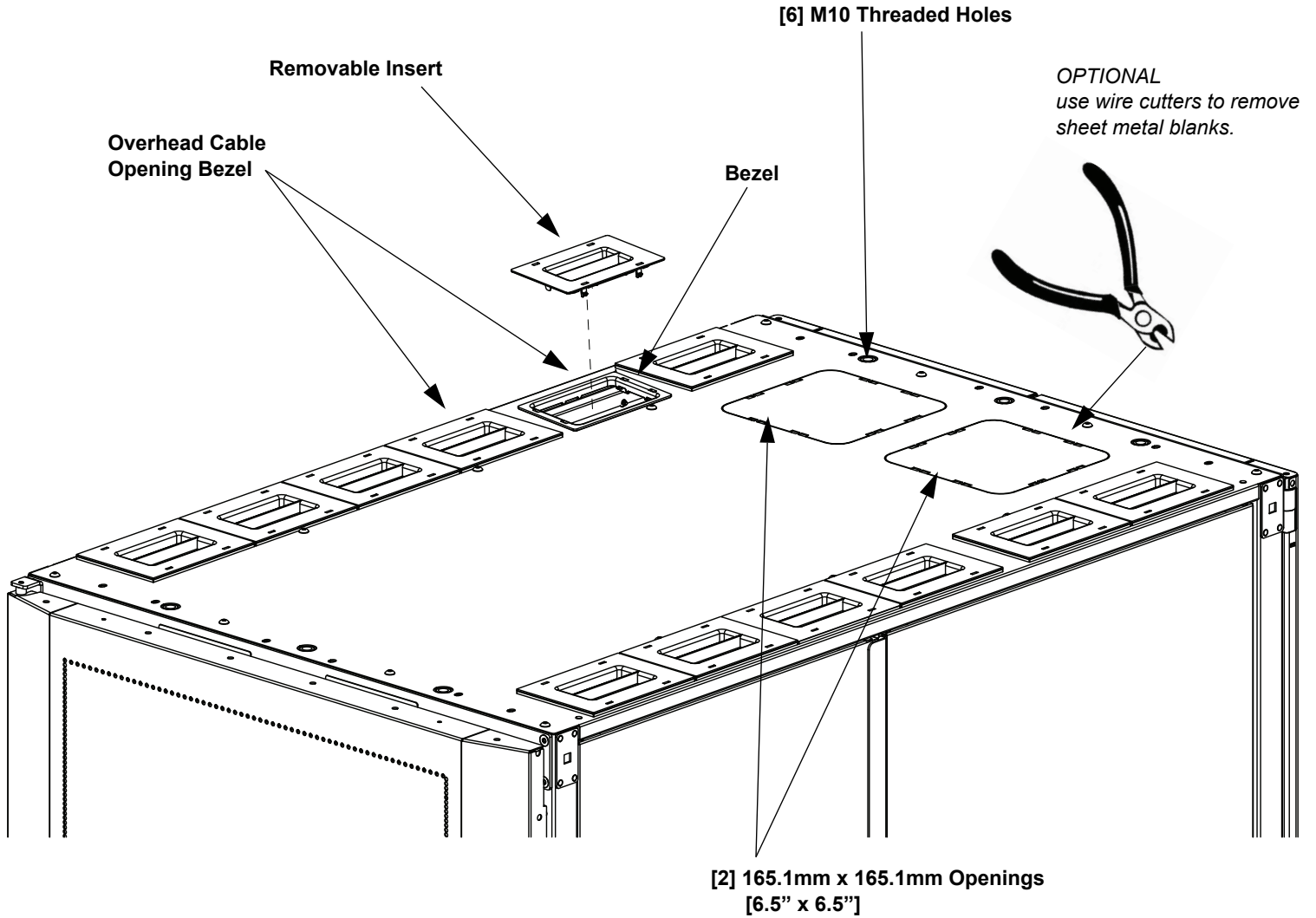
Equipment Rails (Zero RU QuickNet™ Patching Adapter Installation)

- Insert plastic Patching Adapters by snapping adapter into rear-facing surface of rear equipment rails.
- Patching Adapters accommodate Panduit QuickNet™ Copper and Fiber Cabling Systems (optional)
- Included on select 600mm wide S-Type cabinet configurations



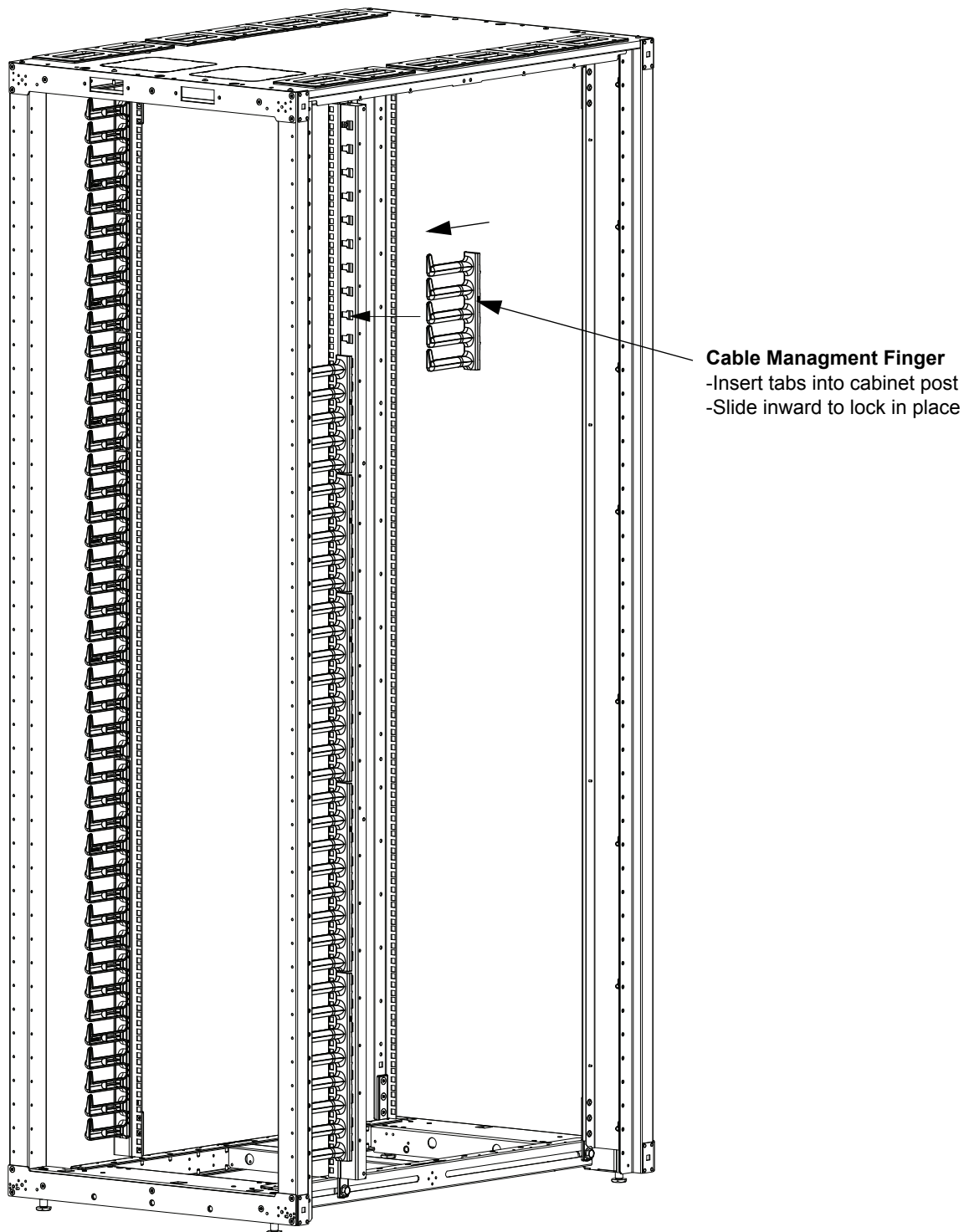
Overhead Cable Openings

- Remove Bezel Insert to allow for overhead cable entry
- Cut [8] tabs with wire cutter to open large cable openings - *OPTIONAL*
- Install M10 threaded rod into [6] tapped holes for 1070mm deep cabinets or [9] tapped holes for 1200mm deep cabinets, if desired
- [2] 165.1mm x 165.1mm [6.5" x 6.5"] openings can be used to route power overhead
- *PANDUIT COOL BOOT™* products can be used to seal around cables/fiber to prevent hot air recirculation



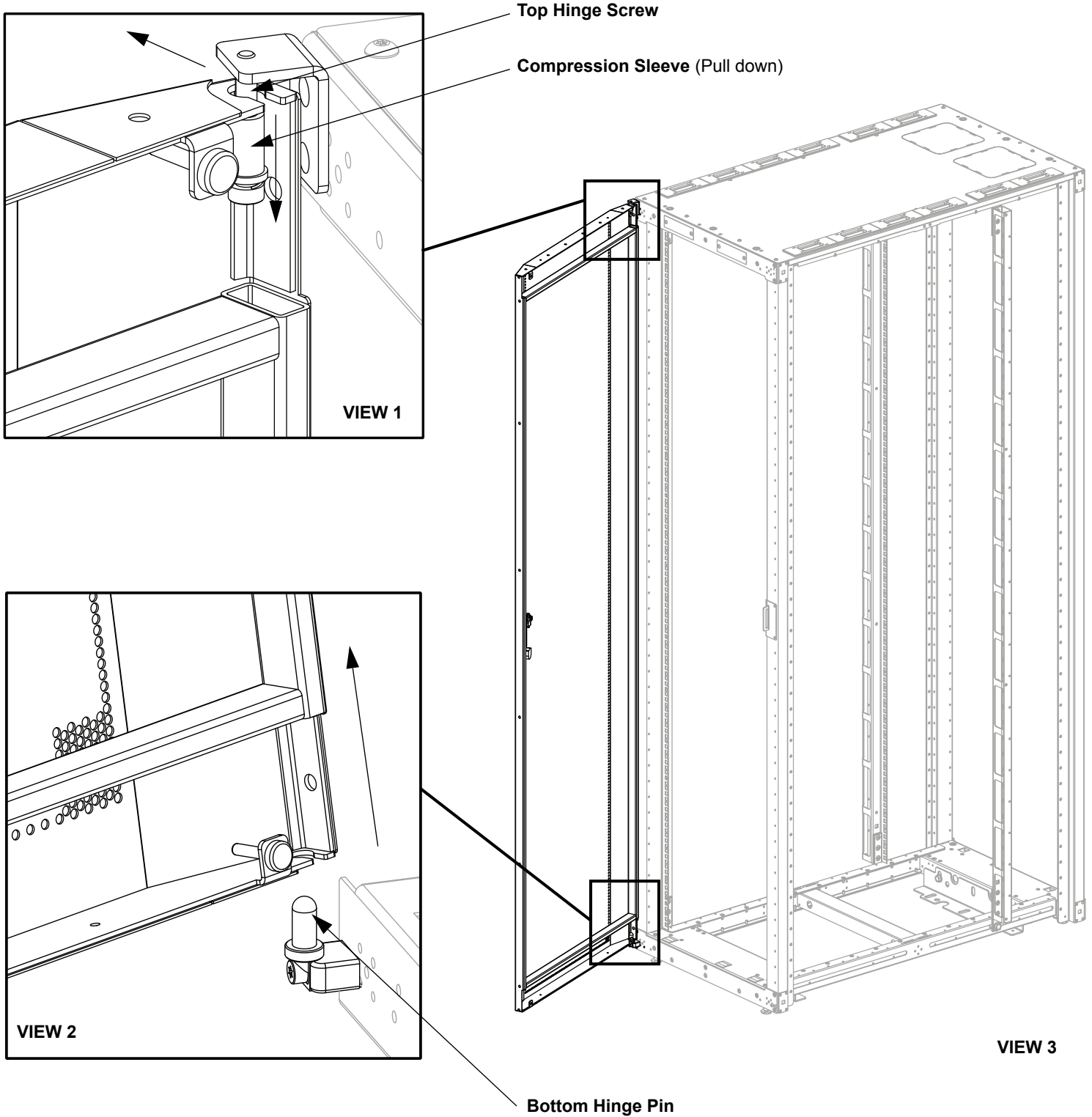
Cable Management Fingers (SN15F, SN25F)

- Insert tabs of Cable Management Finger into mounting slots of cabinet post
- Slide Cable Management Finger inward to lock into place



Single Hinge Door (Removal and Installation)

- **VIEW 1** Pull down Compression Sleeve at top door hinge
- **VIEW 1** Pull Single Hinge Door away from cabinet so that Top Hinge Screw fits through cutout of door
- **VIEW 2** Lift bottom of door off Bottom Hinge Pin
- **REVERSE STEPS** to install Single Hinge Door

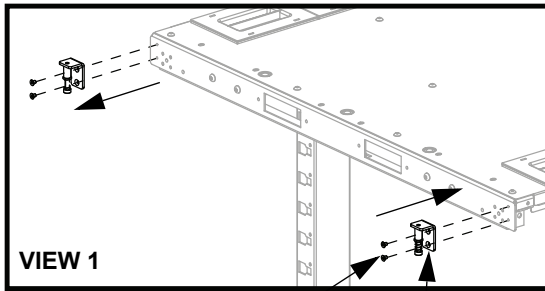


Single Hinge Door (*Door Handle Direction Reversal*)

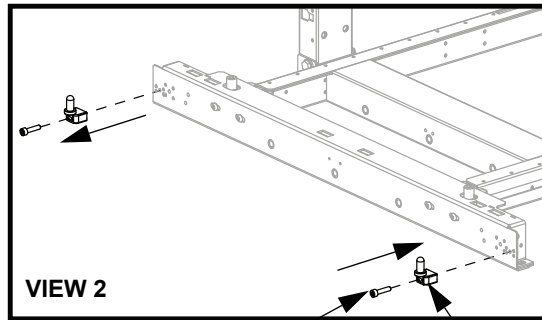
- **VIEW 1, 2** Remove Top and Bottom Hinge Brackets from current location (*remove top hinge screw, if necessary*)
- **VIEW 1, 2** Install Top and Bottom Hinge Brackets on opposite side of cabinet (*re-install top hinge screw, if necessary*)
- **VIEW 3** Move Door catch to opposite side of cabinet frame

Door Handle Reversal (*Lay door on a flat surface*) - VIEW 4, 5

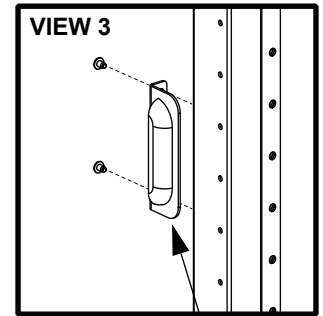
- Remove Door Handle Backing Plate and rotate position of Door Handle 180°
- Loosen Cam Screw to reposition Door Cam and Cam Stop to outside of door. Tighten Cam Screw
- With Door Handle repositioned, secure Door Handle Backing Plate to Door Handle
- Remove PANDUIT label and re-attach in correct orientation near top of door
- Reinstall Single Hinge Door per instructions on Page 15



VIEW 1



VIEW 2



VIEW 3

[2] M4 Screws
(use 2.5mm Allen Key)

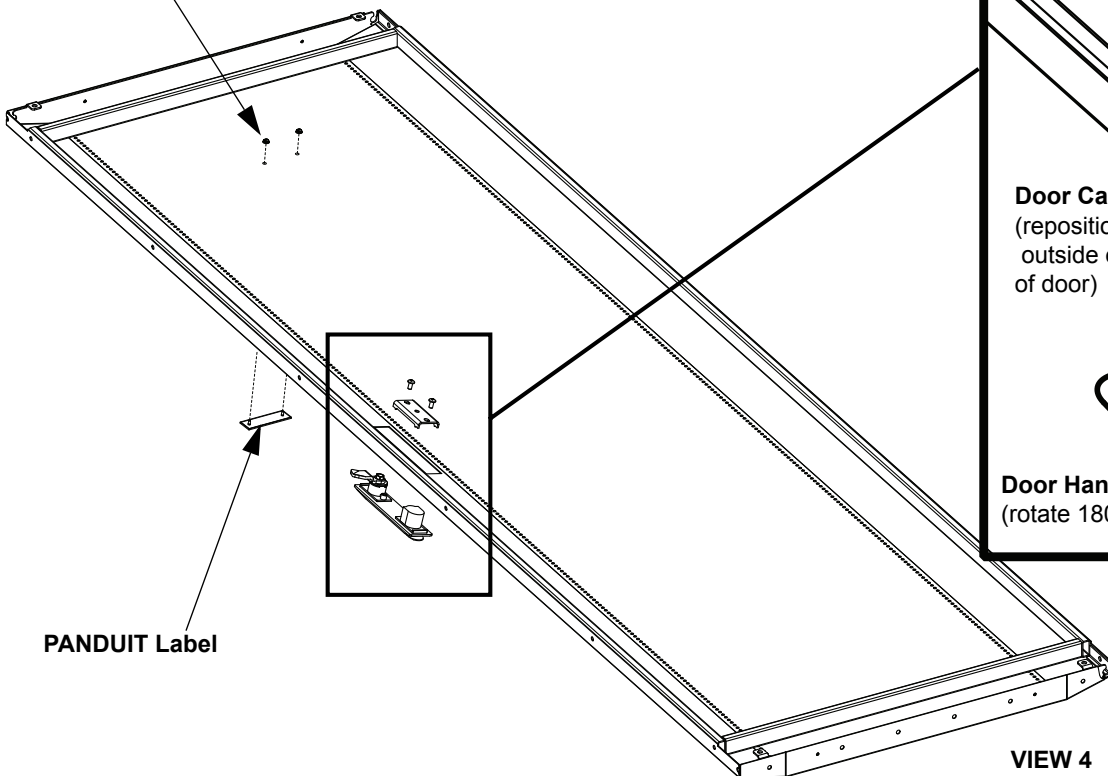
Top Hinge Bracket

M6 Torx Screw
(use T30 Torx bit)

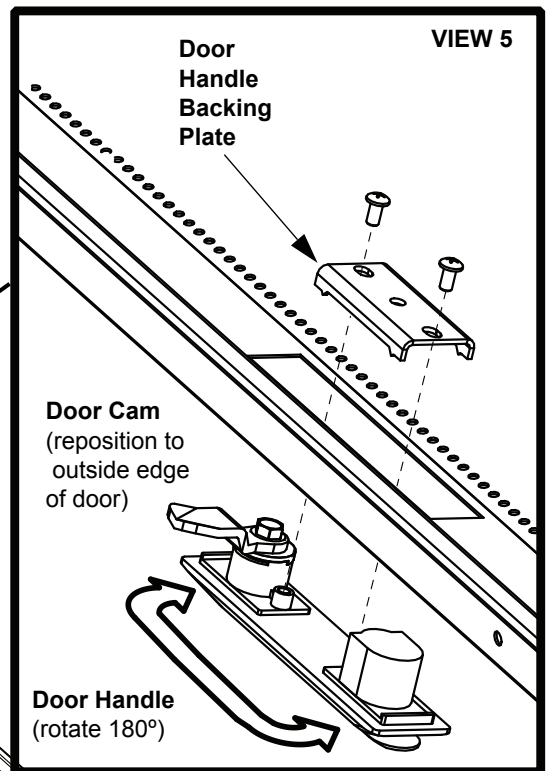
Bottom Hinge Bracket

Door Catch

[2] Hex Nuts
(use 8mm socket wrench)



PANDUIT Label



VIEW 5

Door Handle Backing Plate

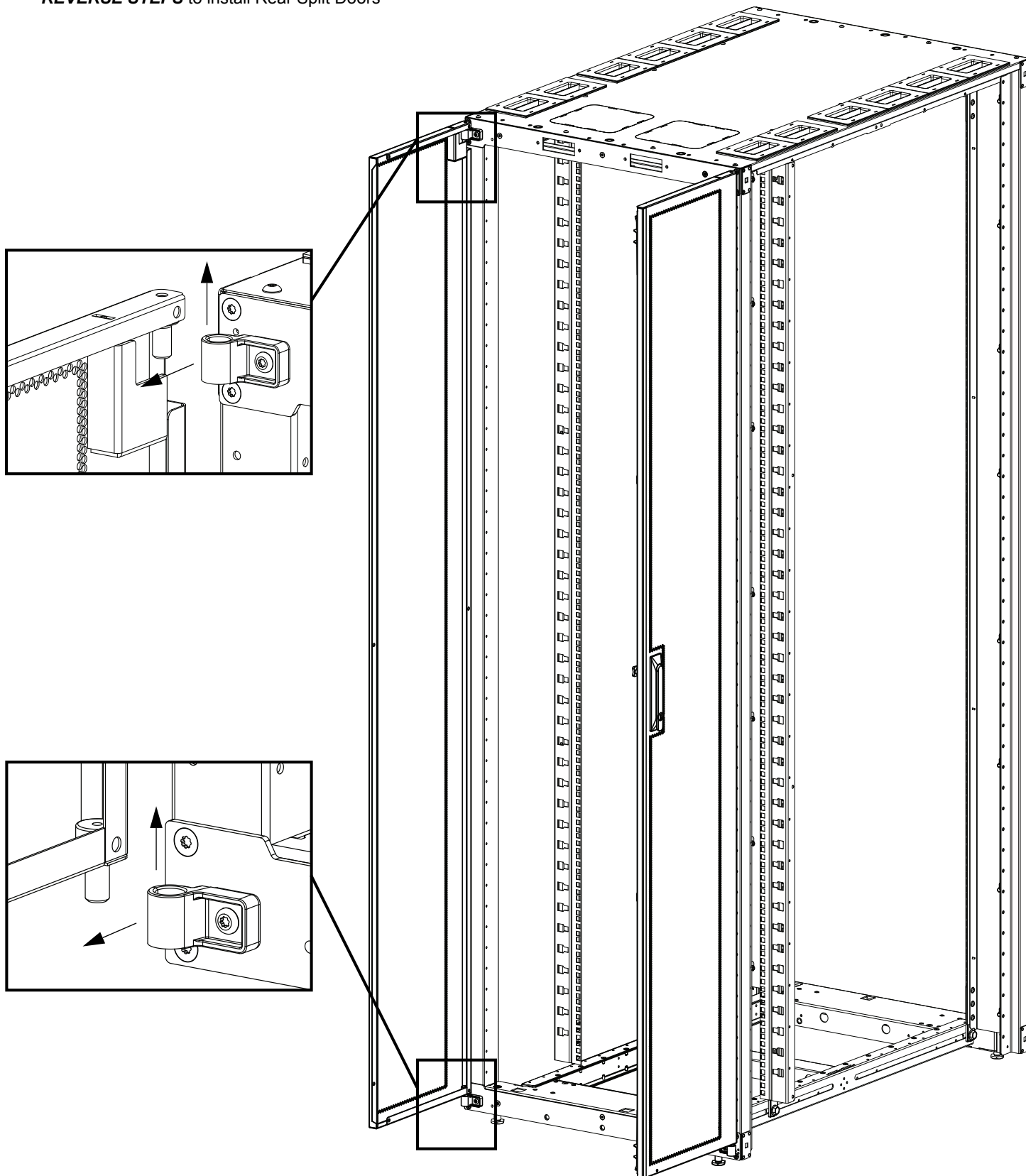
Door Cam
(reposition to outside edge of door)

Door Handle
(rotate 180°)

VIEW 4

Rear Split Doors (*Removal and Installation*)

- Open Rear Split Doors to approximately 90°
- Lift Rear Split Doors up pull doors away from cabinet frame
- **REVERSE STEPS** to install Rear Split Doors

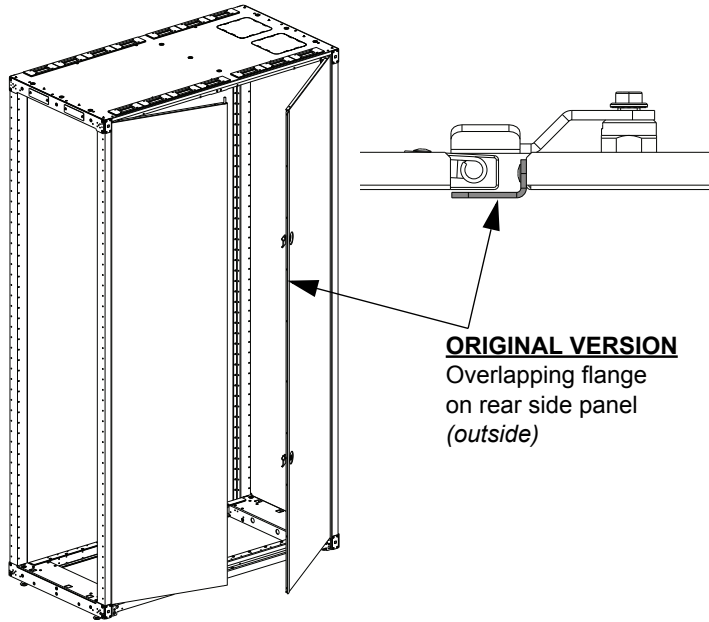


For Technical Support: www.panduit.com/resources/install_maintain.asp

Side Panel - (Distinguishing Features -- also reference instructions V00029CM)

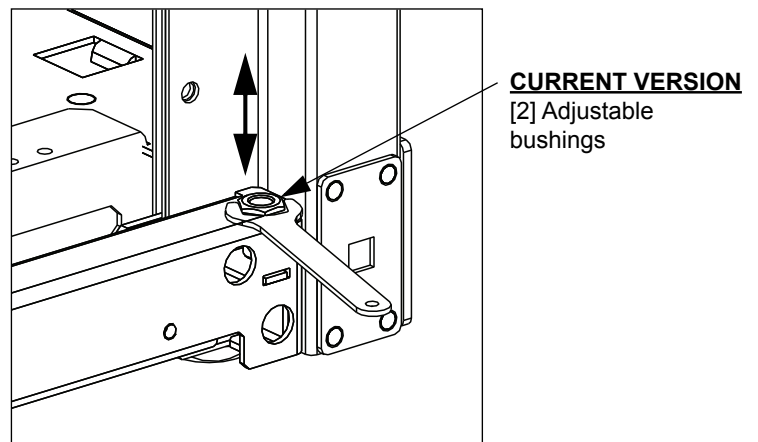
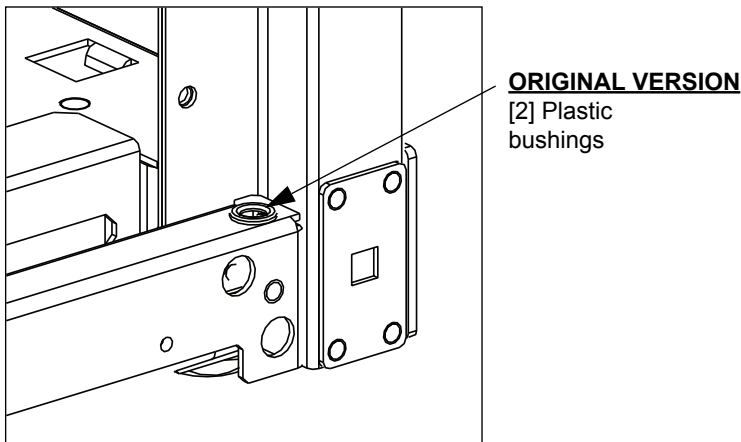
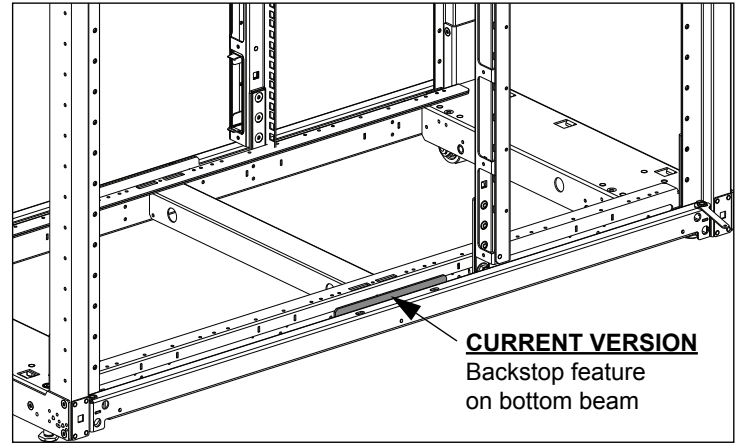
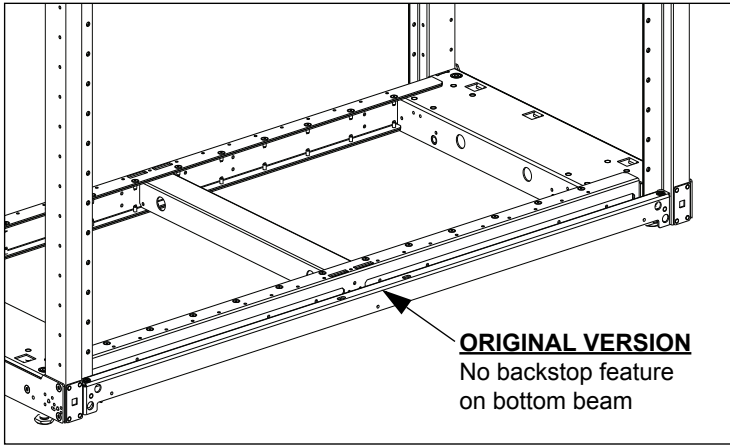
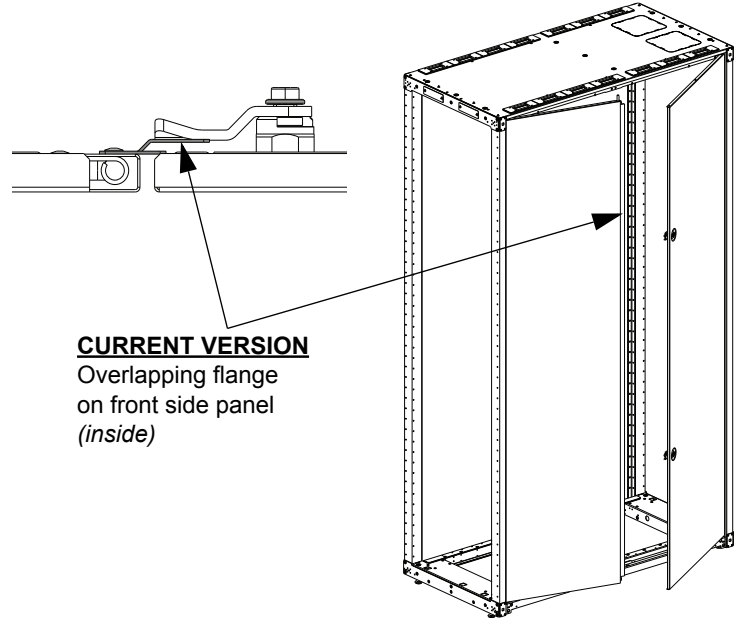
Original Cabinet

MUST USE THESE PART NUMBERS: S21SPS, S22SPS, S51SPS, S52SPS
S81SPS, S82SPS, S11SPS, S12SPS



Current Cabinet

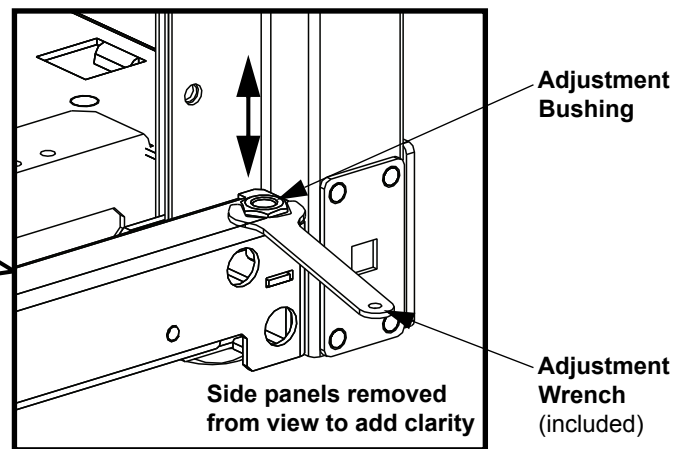
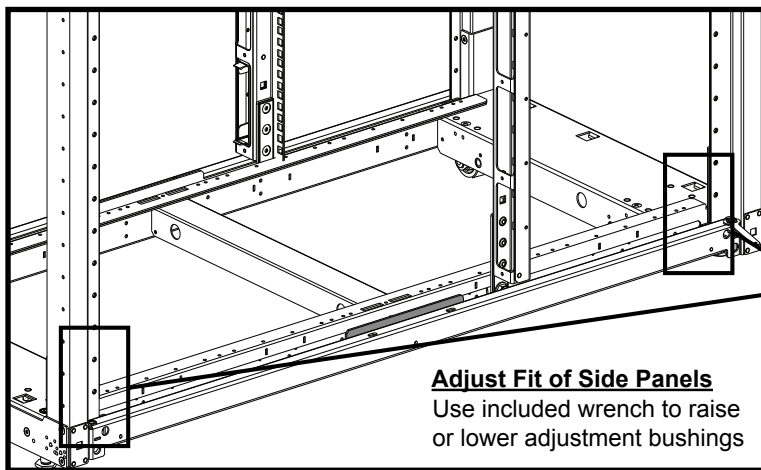
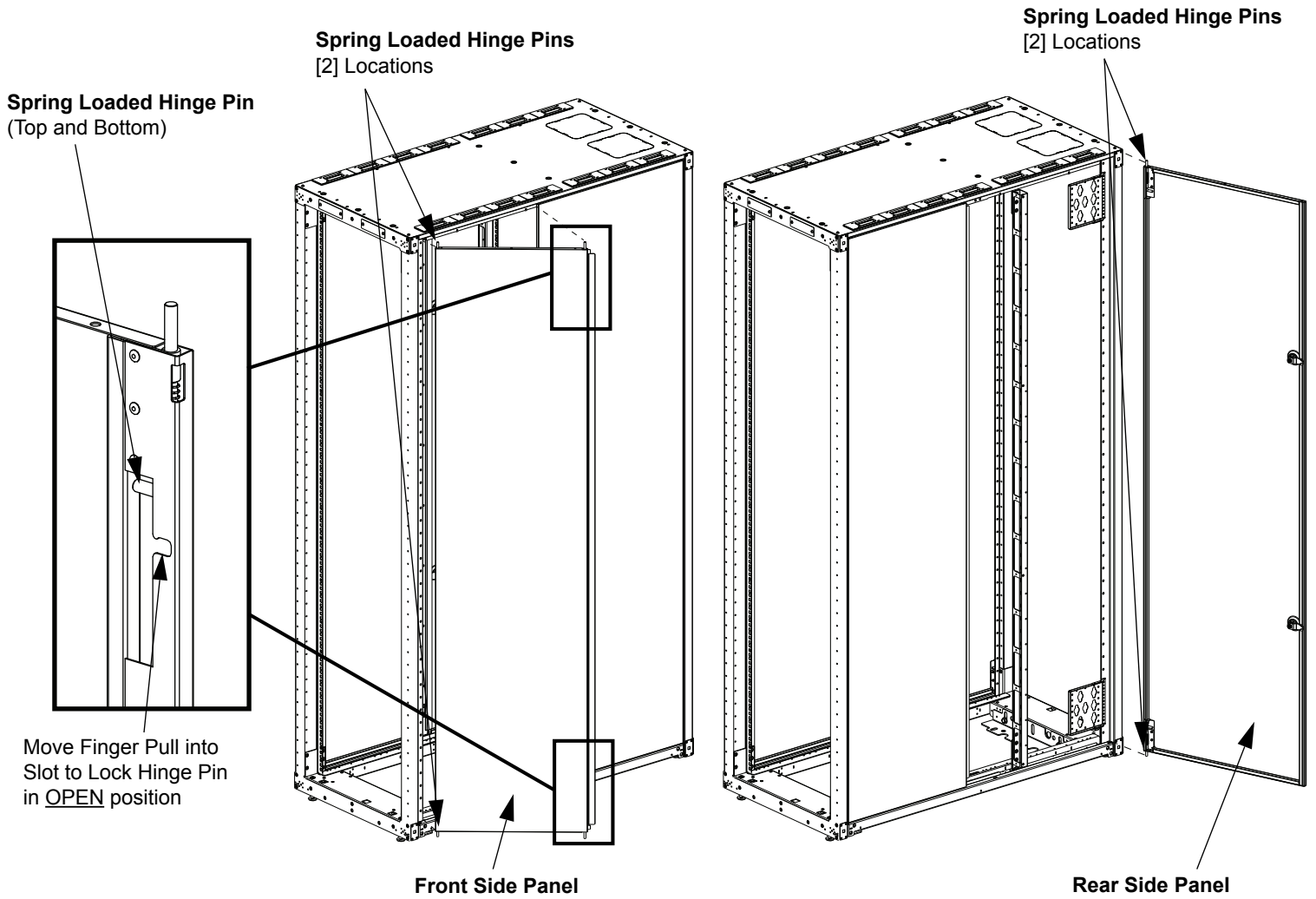
MUST USE THESE PART NUMBERS: S21SPSE, S22SPSE, S51SPSE, S52SPSE
S81SPSE, S82SPSE, S11SPSE, S12SPSE



Side Panels (Removal/Installation and Adjustment - optional)

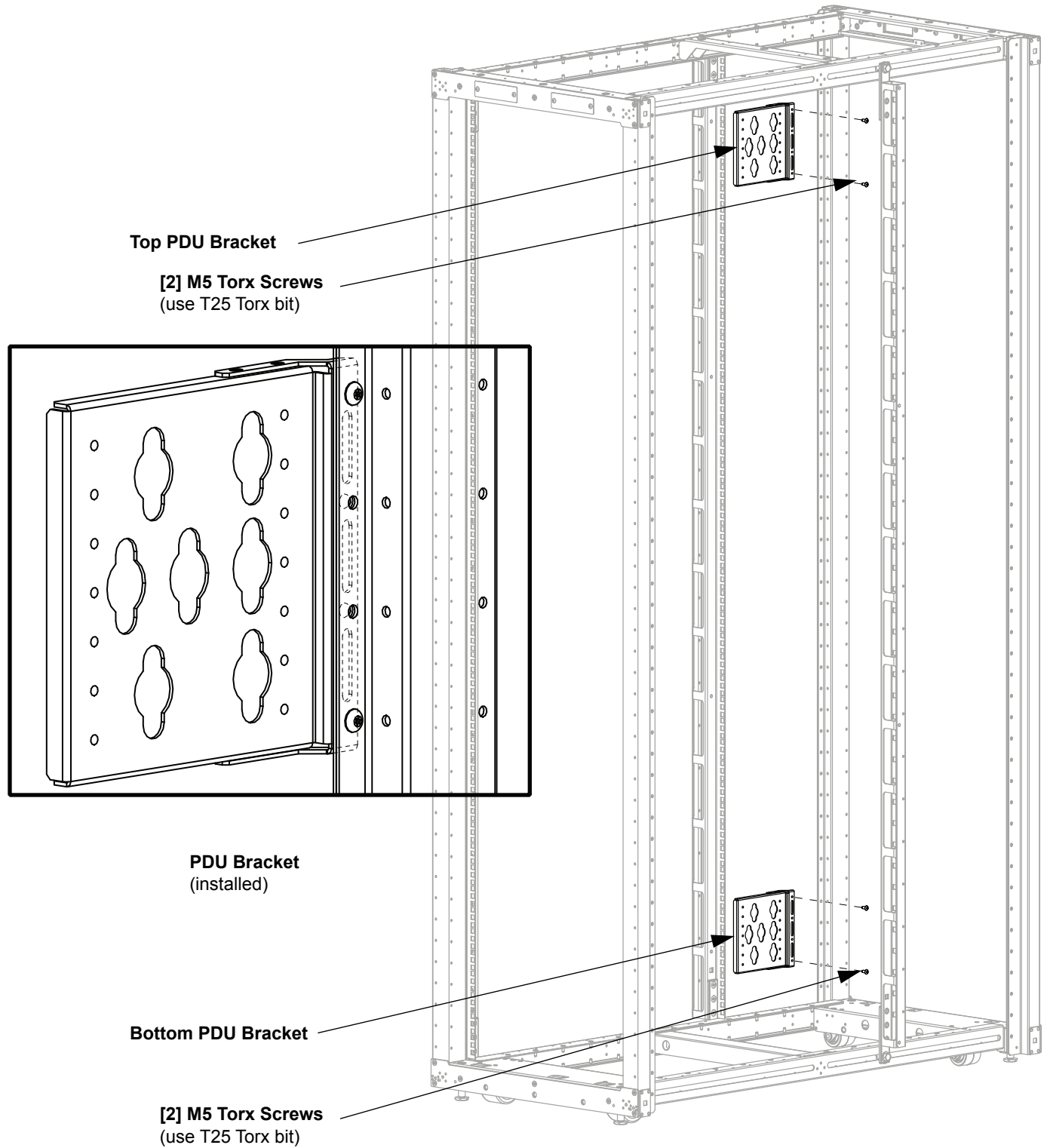
- Pull [2] Spring Loaded Hinge Pins to release Rear Side Panel from cabinet frame
- Pull [4] Spring Loaded Hinge Pins to release Front Side Panel from cabinet frame
- **REVERSE STEPS** to install In-Row Side Panels

IMPORTANT: Install Front Side Panel First



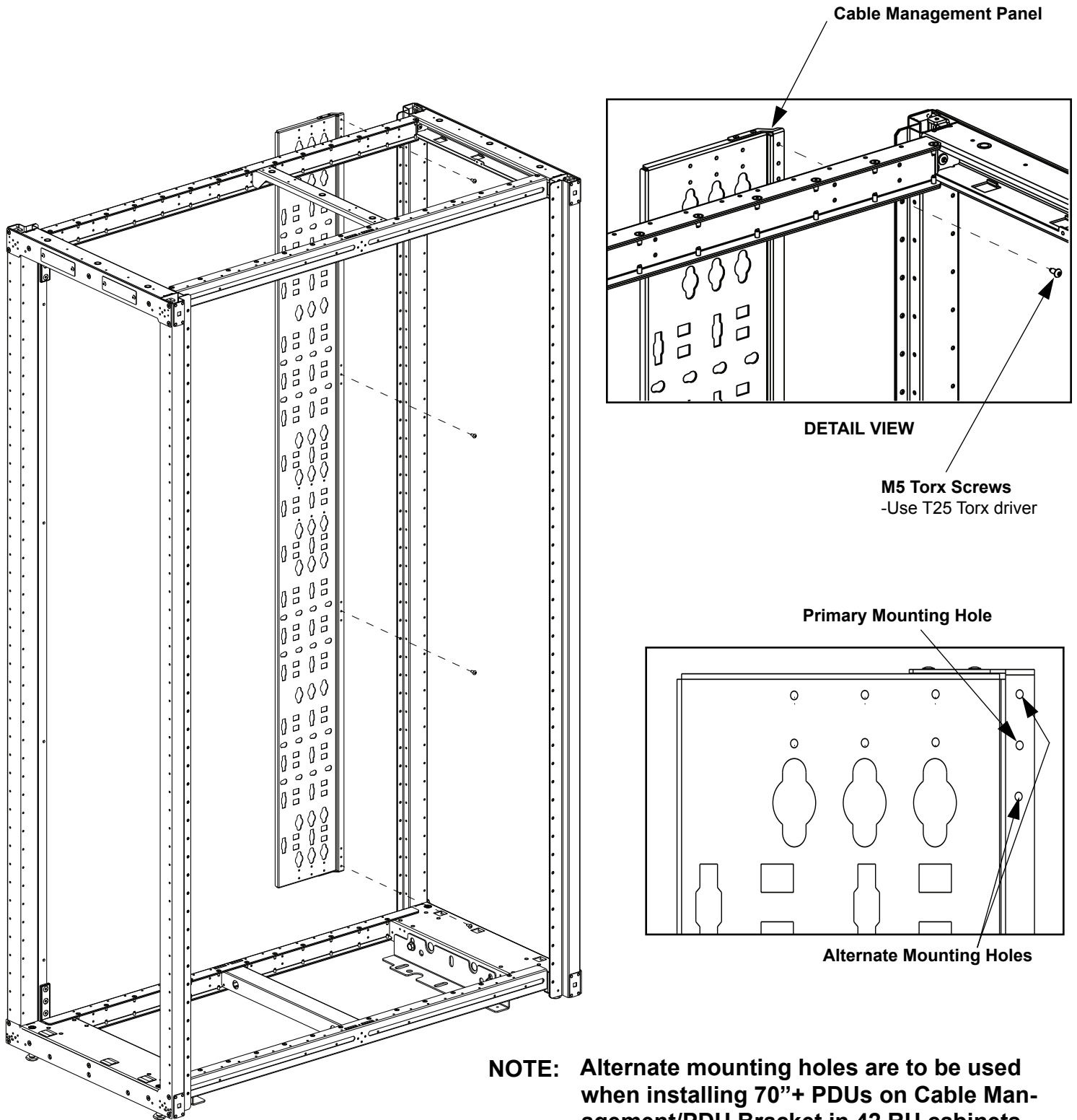
PDU Bracket Adjustment

- PDU brackets are height-adjustable if PDU spacing other than the factory position is desired.
- Remove [2] M5 Torx Screws per bracket, as shown below
- Reposition brackets at desired distance, ensuring that mounting flange of PDU bracket rests on the outside of cabinet post.
- (See 'Installed' view below)
- Secure each PDU bracket to cabinet post with [2] M5 Torx Screws per bracket



Cable Management/PDU Bracket Adjustment (optional)

- Cable Management/PDU brackets are height-adjustable if PDU spacing other than the factory position is desired.
- Remove [4 -or- 6] M5 Torx Screws from bracket, as shown below
- Reposition bracket at desired height, ensuring that mounting flange of bracket rests on the outside of cabinet post.
- Secure bracket to cabinet post with [2] M5 Torx Screws per bracket



Cable Management Panel

DETAIL VIEW

M5 Torx Screws
-Use T25 Torx driver

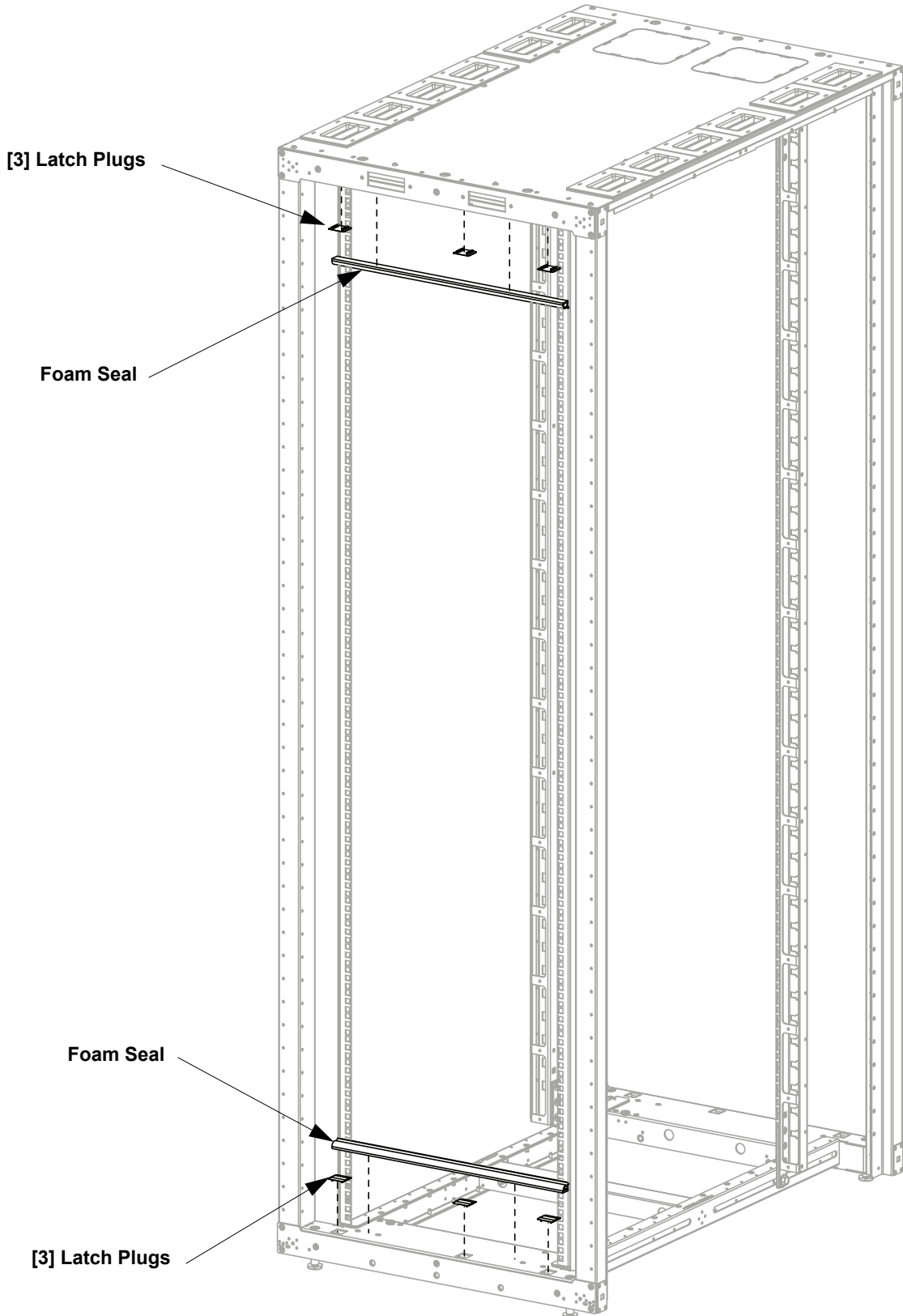
Primary Mounting Hole

Alternate Mounting Holes

NOTE: Alternate mounting holes are to be used when installing 70"+ PDUs on Cable Management/PDU Bracket in 42 RU cabinets

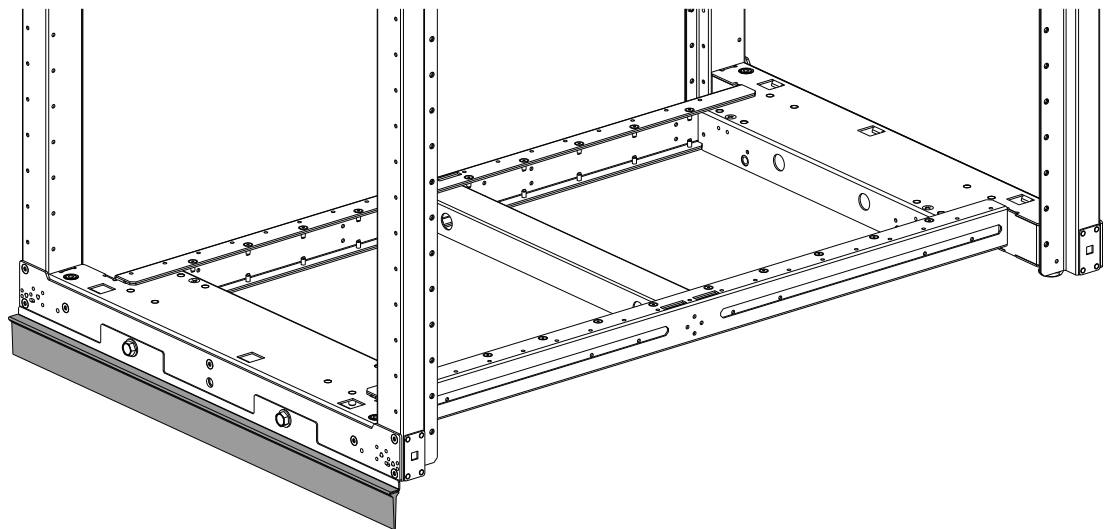
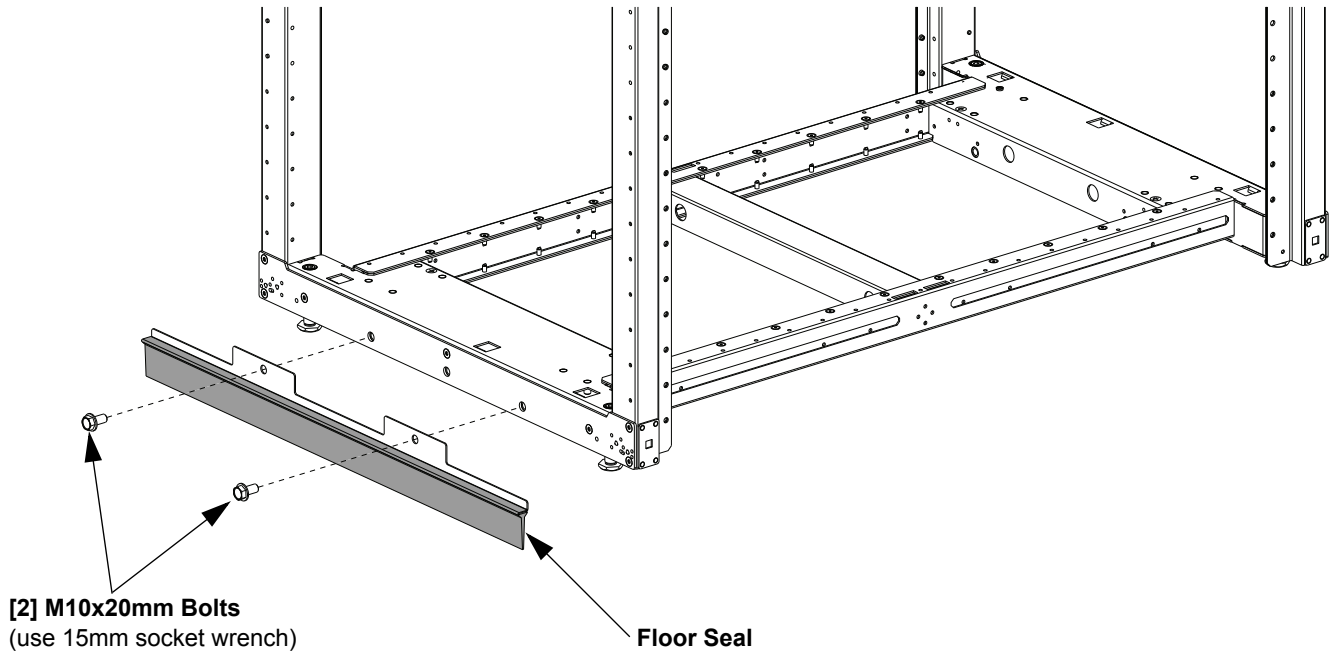
Cabinet Sealing

Install [6] Latch Plugs [3 upper, and 3 lower] into the door latch cut-outs to the front side of the cabinet only. Install [2] foam seals to the upper and lower frame. Seal should be pressed up against the Equipment Rails, behind the latch plugs.



Front and Rear Floor Seal Installation (*Vertical Exhaust Duct ONLY*)

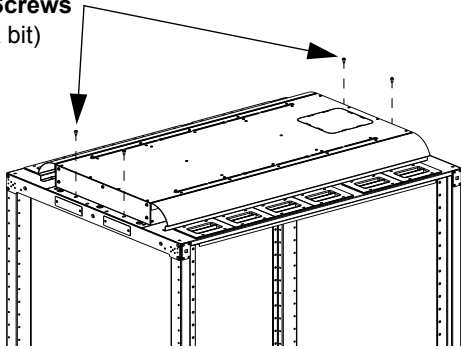
- Install Floor Seal to front or rear of cabinet frame using (2) M10x20mm Bolts. (Flange on floor seal will face outward away from the cabinet.)



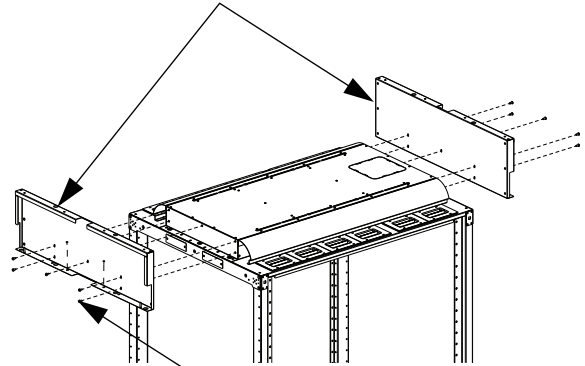
Top of Cabinet Cable Manager Installation

- Disassemble front fascia assemblies (packaged in cabinet) by removing (2) M5x0.8 button head screws (use T25 Torx bit).
- Remove (2) M5x0.8 button head screws (use T25 Torx bit) from front and rear of Cable Manager base.
- Install vertical walls on front and back of Cable Manager base using (5) M5x0.8 button head Torx screws (use T25 Torx bit). Re-install screws from previous step to secure to the frame.
- Attach front fascia to the front vertical wall by sliding fascia over studs in vertical wall.(see detail view). Tighten with (4) M5x0.8 button head screws (use T25 Torx bit).
- Attach rear fascia to the rear vertical wall by sliding fascia over studs in vertical wall (see detail view). Tighten with (4) M5x0.8 button head screws (use T25 Torx bit).

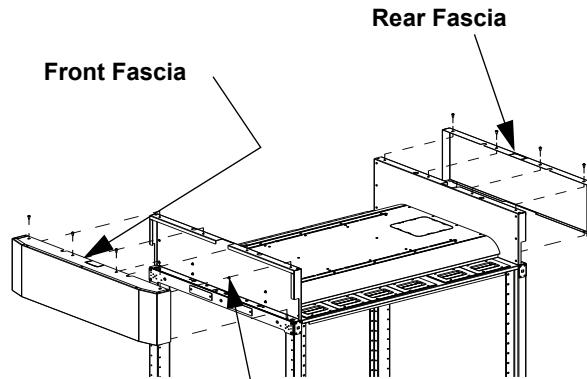
- Remove -
[4] M5 Torx Screws
(use T25 Torx bit)



[2] Vertical Walls

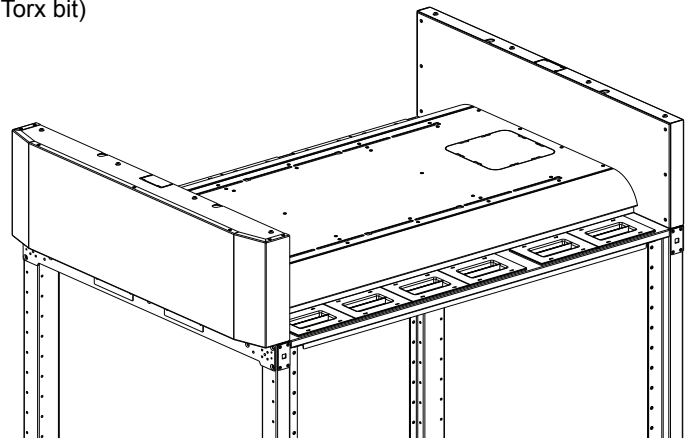
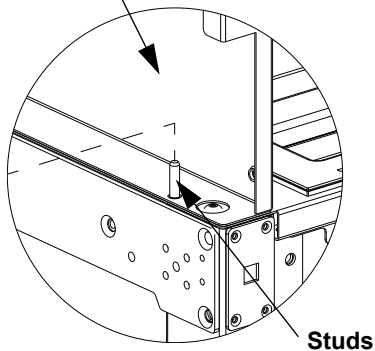


[5] M5 Torx Screws
(use T25 Torx bit)



[2] Vertical Walls

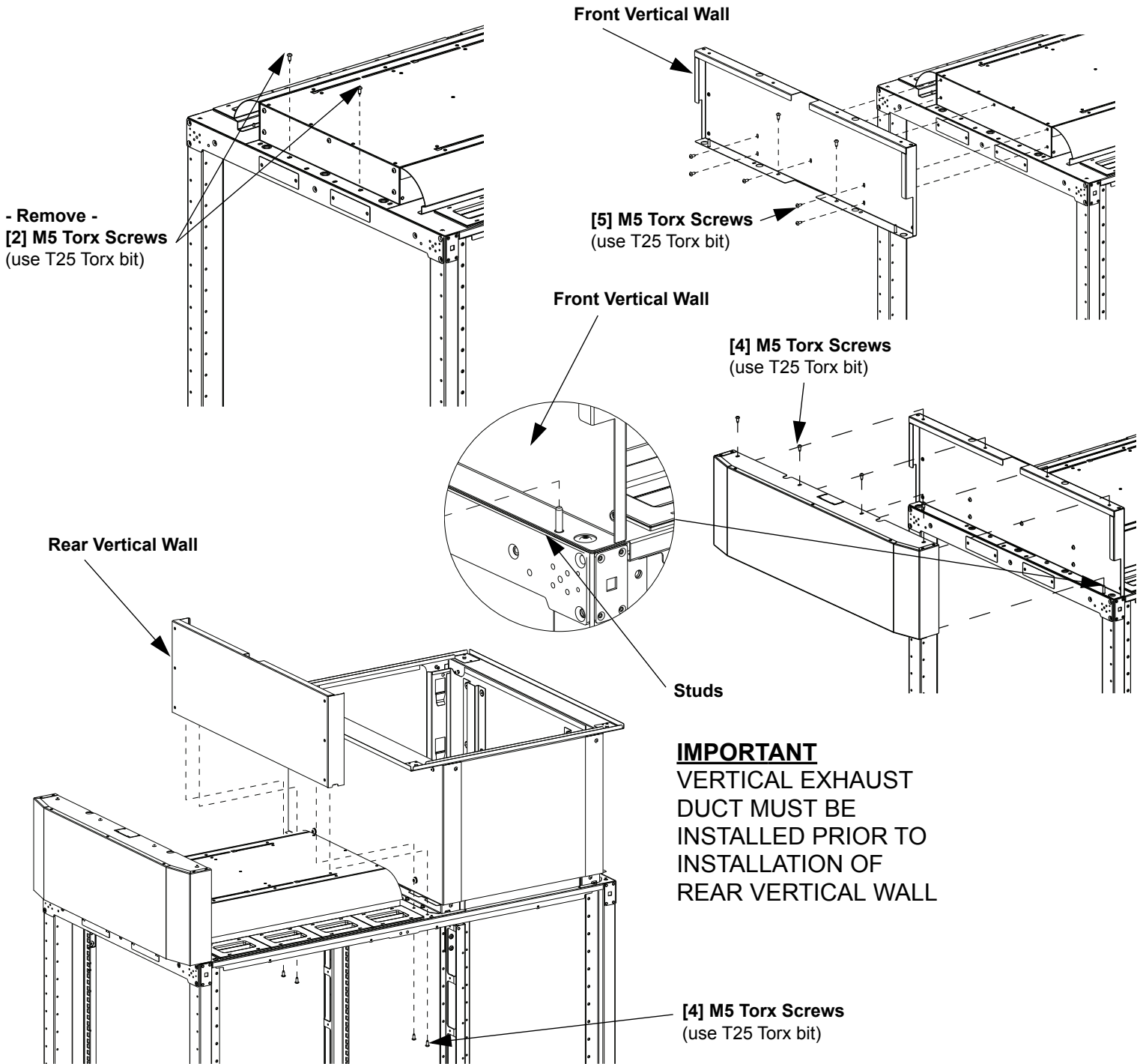
[4] M5 Torx Screws
(use T25 Torx bit)



Top of Cabinet Cable Manager Installation *(for vertical exhaust ducts)*

IMPORTANT - INSTALL VERTICAL EXHAUST DUCT PRIOR TO INSTALLING REAR VERTICAL WALL

- Disassemble front fascia assemblies (packaged in cabinet) by removing (2) M5x0.8 button head screws (use T25 Torx bit).
- Remove (2) M5x0.8 button head screws (use T25 Torx bit) from front of Cable Manager base.
- Install vertical wall on front of Cable Manager base using (5) M5x0.8 button head Torx screws (use T25 Torx bit). Re-install screws from previous step to secure to the frame.
- Attach front fascia to the front vertical wall by sliding fascia over studs in vertical wall. Tighten with (4) M5x0.8 button head screws
- Attach rear vertical wall to the Cable Manger with (4) M5x0.8 button head screws (use T25 Torx bit) from underneath Top of Cabinet Cable Manager.



IMPORTANT
 VERTICAL EXHAUST
 DUCT MUST BE
 INSTALLED PRIOR TO
 INSTALLATION OF
 REAR VERTICAL WALL

THIS PAGE IS INTENTIONALLY BLANK