
 TECHNICAL DATA SHEET

Fittings, Non-Metallic Sheathed Cables

One Screw Fitting - CI4040

Iberville™


Steel connector for attachment of non-metallic sheathed cables to enclosures and junction boxes. For residential and commercial applications.

Certifications / Standards


Material:

- Steel zinc plated

Applications:

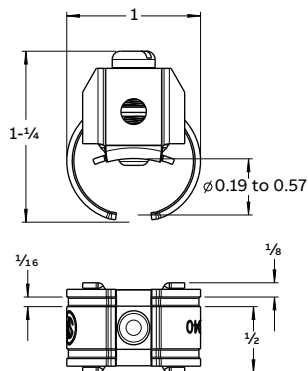
- For indoor use only
- Non-metallic sheathed cable
- Electrical enclosures
- Junction boxes
- Knockout 1/2"

Conformance:

- CSA File No. 3313
- Approved for:
 - 1 cable: 14/2-10/2, 14/3-10/3
 - 2 cables: 14/2

Connection type:

- Compression



 tnb.abb.com
 tnb.ca.abb.com

abb.com

We reserve the right to make technical changes or modify the contents of this document without prior notice. With regard to purchase orders, the agreed particulars shall prevail. ABB does not accept any responsibility whatsoever for potential errors or possible lack of information in this document.

We reserve all rights in this document and in the subject matter and illustrations contained therein. Any reproduction – in whole or in part – is forbidden without prior written consent of ABB. Copyright© 2019 ABB. All rights reserved.