

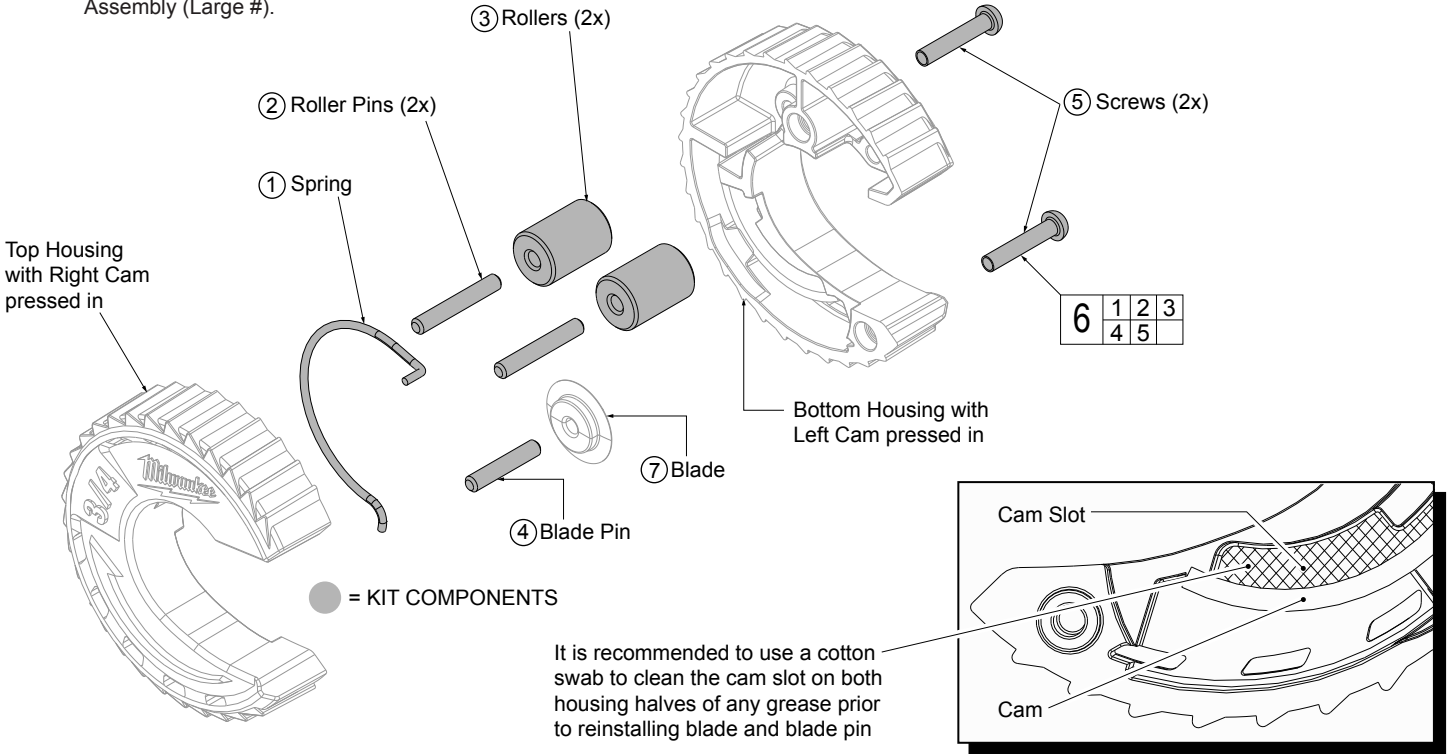


SERVICE PARTS LIST

BULLETIN NO.
54-49-3161

| SPECIFY CATALOG NO. AND SERIAL NO. WHEN ORDERING PARTS | | REVISED BULLETIN | DATE |
|--|-------------------|--|-----------|
| CLOSE QUARTER COPPER TUBING CUTTERS | | | June 2017 |
| CATALOG NO. | 48-22-4260 | 1/2" Close Quarter Copper Tubing Cutter | |
| | 48-22-4261 | 3/4" Close Quarter Copper Tubing Cutter | |
| | 48-22-4262 | 1" Close Quarter Copper Tubing Cutter | |

EXAMPLE:
Component Parts
(Small #) Are Included
When Ordering The
Assembly (Large #).



For 48-22-4260
1/2" CLOSE QUARTER COPPER TUBING CUTTER

| FIG. | PART NO. | DESCRIPTION OF PART | NO. REQ. |
|------|------------|---|----------|
| 1 | ----- | Spring | (1) |
| 2 | ----- | Roller Pin | (2) |
| 3 | ----- | Roller | (2) |
| 4 | ----- | Blade Pin | (1) |
| 5 | ----- | Pan Head Phillips Screw | (2) |
| 6 | 14-46-4266 | Spring/Roller/Pin Service Kit | (1) |
| 7 | 48-22-4266 | Replacement Cutter Wheel (Set of 2) (Accessory) | (1) |

For 48-22-4261
3/4" CLOSE QUARTER COPPER TUBING CUTTER

| FIG. | PART NO. | DESCRIPTION OF PART | NO. REQ. |
|------|------------|---|----------|
| 1 | ----- | Spring | (1) |
| 2 | ----- | Roller Pin | (2) |
| 3 | ----- | Roller | (2) |
| 4 | ----- | Blade Pin | (1) |
| 5 | ----- | Pan Head Phillips Screw | (2) |
| 6 | 14-46-4267 | Spring/Roller/Pin Service Kit | (1) |
| 7 | 48-22-4266 | Replacement Cutter Wheel (Set of 2) (Accessory) | (1) |

For 48-22-4262
1" CLOSE QUARTER COPPER TUBING CUTTER

| FIG. | PART NO. | DESCRIPTION OF PART | NO. REQ. |
|------|------------|---|----------|
| 1 | ----- | Spring | (1) |
| 2 | ----- | Roller Pin | (2) |
| 3 | ----- | Roller | (2) |
| 4 | ----- | Blade Pin | (1) |
| 5 | ----- | Pan Head Phillips Screw | (2) |
| 6 | 14-46-4268 | Spring/Roller/Pin Service Kit | (1) |
| 7 | 48-22-4266 | Replacement Cutter Wheel (Set of 2) (Accessory) | (1) |

