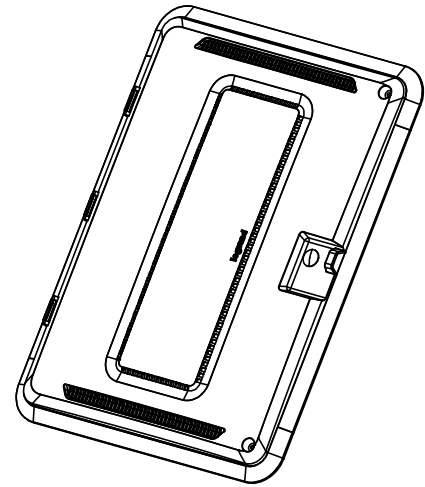
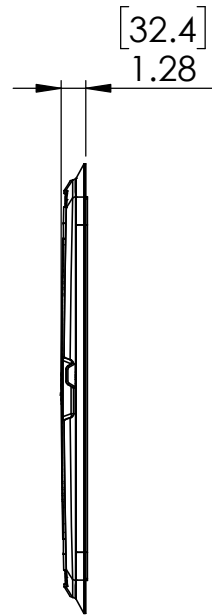
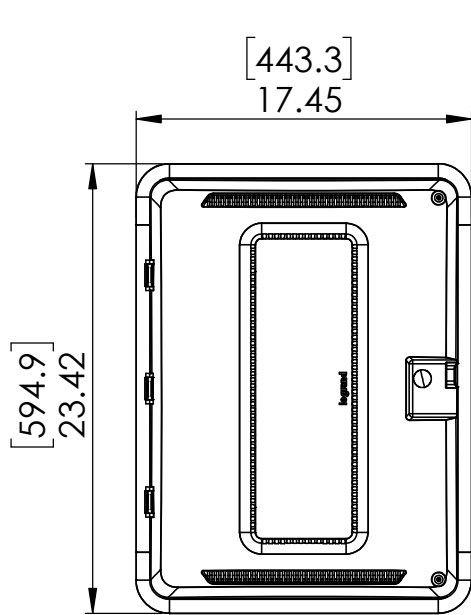


2

1



B

B

A

A

DIMENSIONS ARE IN INCHES UNLESS OTHERWISE SPECIFIED TOLERANCES 2 PLACE DECIMAL ± .02 3 PLACE DECIMAL ± .005 4 PLACE DECIMAL ± .0005 ANGULAR ± 30'	DRAWN - DATE - APPROVED - DATE -	legrand P.O. Box 60907 Harrisburg, PA 17106-0907 1-800-321-2343
	DESCRIPTION: <h2 style="text-align: center;">20" COVER WITH TRIM RING</h2>	
MATERIAL FINISH WEIGHT	PROPRIETARY AND CONFIDENTIAL THE INFORMATION CONTAINED IN THIS DRAWING IS THE SOLE PROPERTY OF OnQ/LEGRAND. ANY REPRODUCTION IN PART OR AS A WHOLE WITHOUT THE WRITTEN PERMISSION OF OnQ/LEGRAND IS PROHIBITED.	SIZE A DWG NO ENP2060-NA REV A
DRAWING IS 3RD ANGLE PROJECTION DO NOT SCALE DRAWING		SCALE 1:10 SURFACE AREA SHEET 1 OF 1

2

1