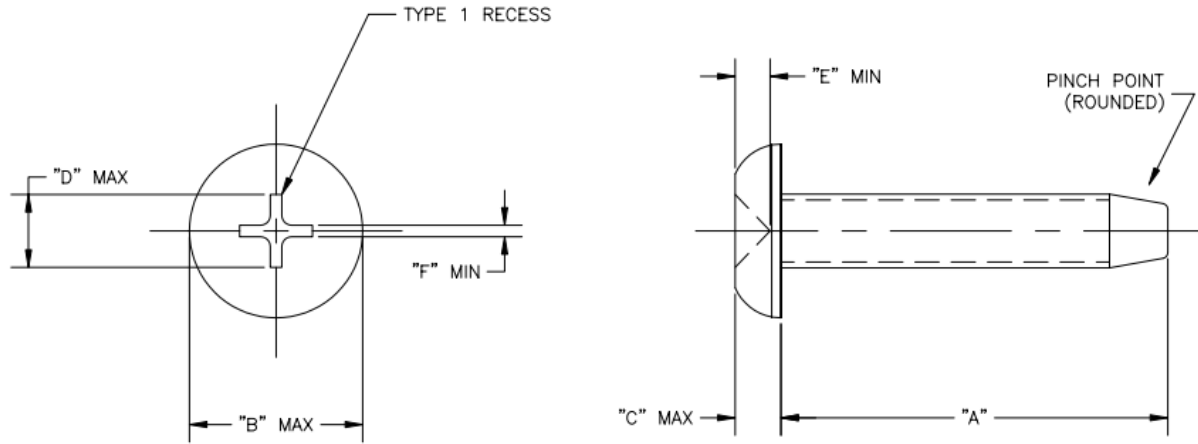


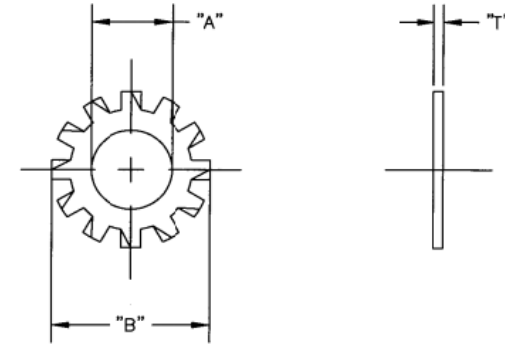


Metal Flat Cover Mounting Screw Self Tap #10-32 x 1.0"



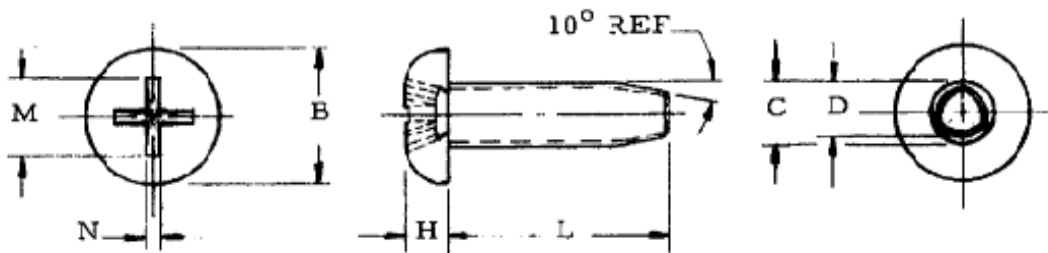
.030	.090	.188	.118	.448	1.000	16	10(.190)
"F"	"E"	"D"	"C"	"B"	"A"	TPI	THREAD SIZE

Metal Flat Cover Lock Washer External Teeth #10



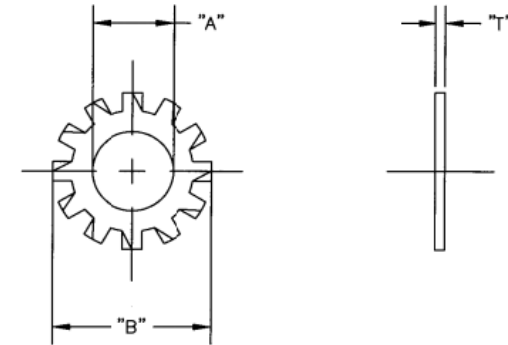
.020	.025	.395	.406	.195	.204	10
MIN	MAX	MIN	MAX	MIN	MAX	SCREW SIZE NOMINAL
"C" THICKNESS		"B" OUTSIDE DIAMETER		"A" INSIDE DIAMETER		

Metal Hinged Door Mounting Screw Self Tap #6-32 x 0.375"



.375	6-32UNC-2A	.270	.141	.135	.097	.175	.035
L	THD SIZE	B	C	D	H	M	N
		MAX	MAX	MAX	MAX	MAX	MIN

Metal Hinged Door Lock Washer External Teeth #6



.016	.022	.305	.317	.142	.150	6
MIN	MAX	MIN	MAX	MIN	MAX	SCREW SIZE NOMINAL
"C" THICKNESS		"B" OUTSIDE DIAMETER		"A" INSIDE DIAMETER		