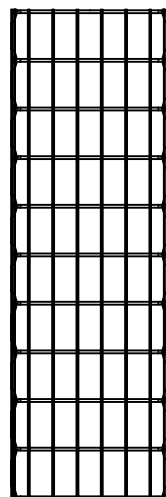


# CF 150 CABLOFIL CABLE TRAY

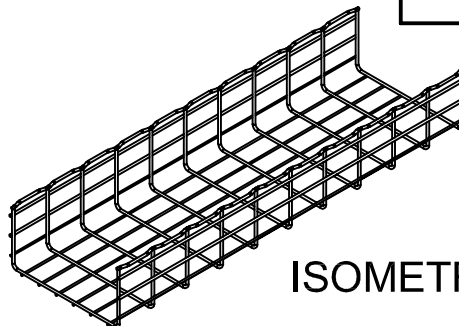
# CABLOFIL®

INNOVATORS IN CABLE MANAGEMENT

8319 State Route 4  
 Mascoutah IL 62258  
 Phone: 800-658-4641  
 618-566-3230  
 Fax: 618-566-3250  
[www.cablofil.com](http://www.cablofil.com)



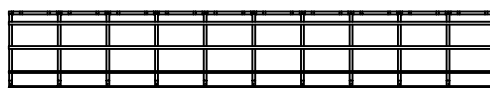
TOP



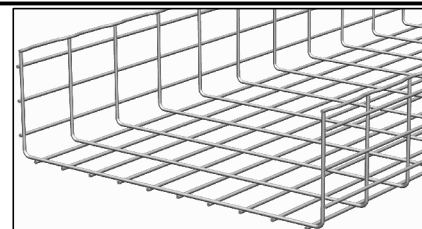
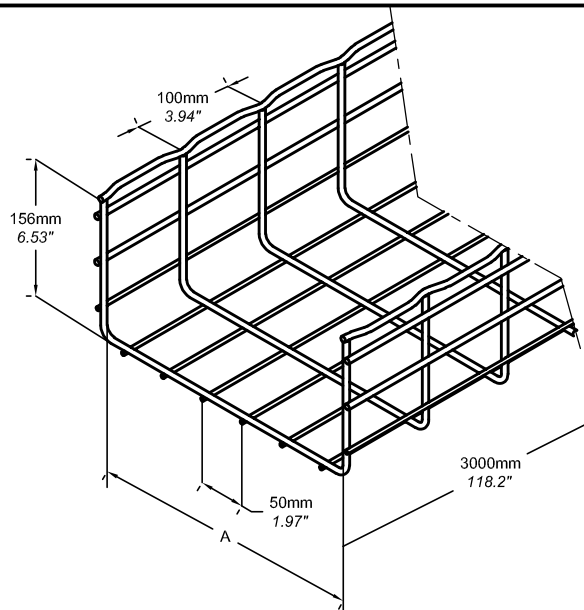
ISOMETRIC



FRONT






SIDE



- Tray designed per NEMA VE-1, CSA C22.2 No. 126
- CF series has top wave wire

	in mm		lb
CF150 150	5.91	150	18.9
CF150 200	7.87	200	21.8
CF150 300	11.81	300	24.4
CF150 450	17.71	450	26.5
CF150 500	19.68	500	27.8
CF150 600	23.62	600	29.5

**WH**  
**BL PE 316L**  
**EZ GC 304L**

	Material	Finish
EZ	Carbon Steel ASTM A510 Grade 1008	Electroplated Zinc, ASTM B633
GC	Carbon Steel ASTM A510 Grade 1008	Hot-Dip Galvanized ASTM A123
BL	Carbon Steel ASTM A510 Grade 1008	Black Painted ASTM D 3451
PE	Carbon Steel ASTM A510 Grade 1008	Custom Painted ASTM D 3451
304L	AISI TYPE 304L	Passivated ASTM A 380
316L	AISI TYPE 316L	Passivated ASTM A 380