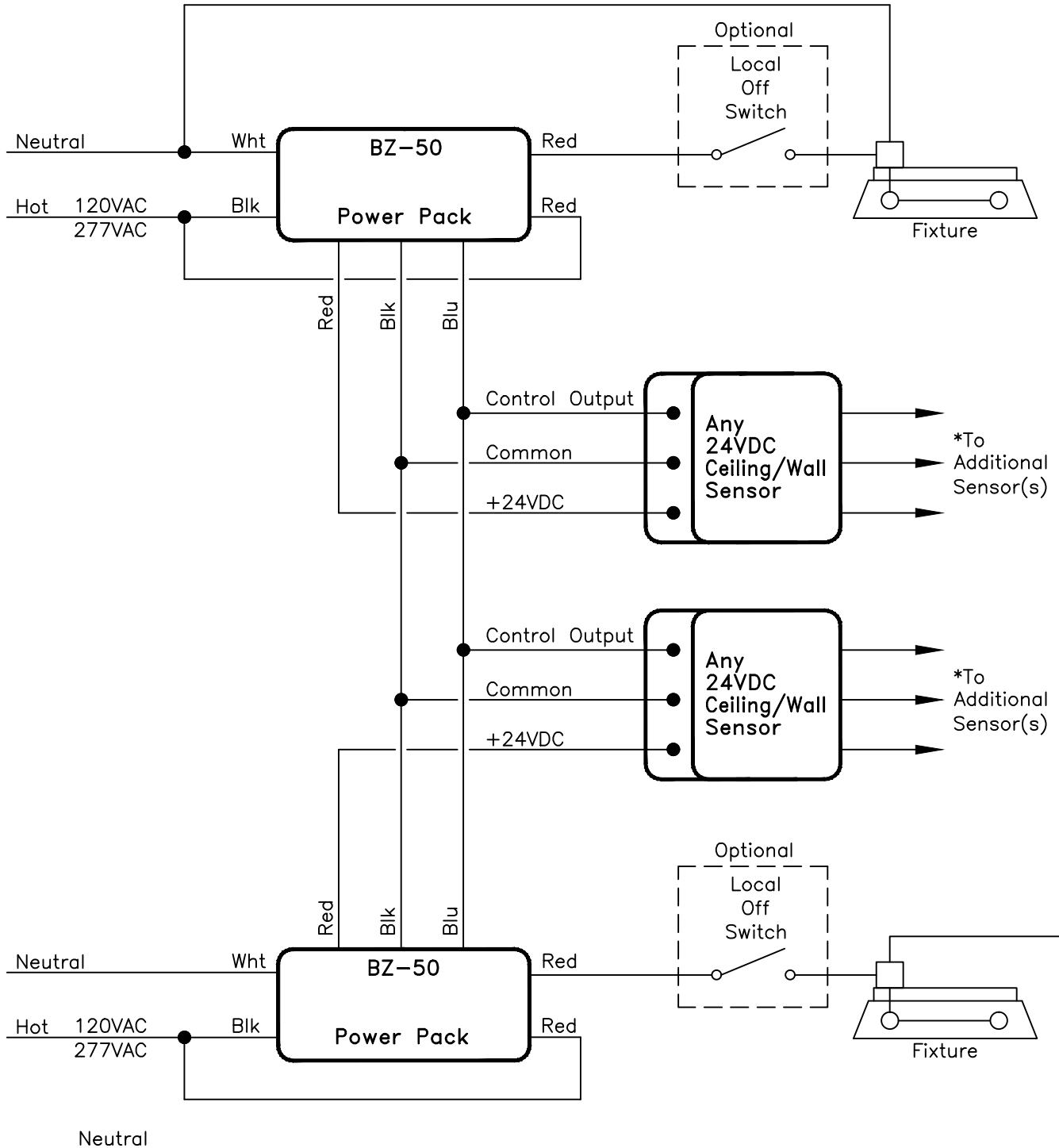


### Multiple Sensors & Multiple BZ-50 Power Packs



\* At least 3 Sensors  
can be powered by the  
power pack.  
See Sensor data sheet.

<b>Watt Stopper/Legrand</b> 800-879-8585			
Title <b>Multiple Sensors &amp; Multiple BZ-50 Power Packs</b>			
Scale	Drawing#	Date	Rev.
None	57-005-1	08/06/15	5