



Solutions for Everyday Living.

HSWF3W, HSWF3LA, HSWC3W, HSWC3LA

Pass & Seymour® Humidity Based Fan Control, HSW, adds intelligent moisture detection to any fan or ventilation system. HSW senses condensation levels in the air, turns on the fan or ventilation system, and runs it until the room is back to a safe moisture level. HSW has adjustable timer settings for manual time use and adjustable condensation for sensitivity. The capability to adjust the sensitivity level on HSW enables the end user to truly tailor their fan or ventilation system to any environment regardless of room size, climate or season.

The addition of QUE™ Technology takes things to a whole new level, combining HSW's adjustability features with an advanced system that actively monitors past and present temperature and humidity levels. QUE helps HSW adapt to your environment, ensuring the fan or ventilation system is ON when the moment condensation is detected, and OFF as soon as it's no longer necessary.

Features & Benefits

CONDENSATION SENSORS (adjustable)

- Turns ON the fan when condensation is present and OFF when dry.
- Adjusts sensors to solve moisture problems.
- Helps fight mold.

QUE™ TECHNOLOGY

- Ultra moisture-sensing adaptive technology (patented).

COUNTDOWN TIMER (adjustable)

- Manual timer settings from 5-60 minutes.
- Great for tenant and family use.

MANUAL ON/OFF CONTROL

- Manual fan control for immediate ventilation.
- Manual bathroom lighting control (HSWC only).

LED FAN INDICATOR LIGHT

- Lets you know the fan is ON.

CONCEALED ADJUSTMENT SETTINGS

- Tamper-proof settings cover.

HSW helps meet CalGreen and Title 24

Title 24 and CalGreen standards require a bathroom control to regulate the fan to turn ON and OFF within a given range of humidity. These standards appear simple, but the market today does not provide many options. The options that do exist do not reflect modern tastes in aesthetics, and more importantly they are primitive in their capability.

Climates are dynamic, and humidity changes naturally throughout the day and over the seasons of the year. The idea of having just one humidity setting to cover that range is neither possible nor practical. HSW does control humidity levels, but our Patent Pending technology sets us apart by adapting to your current environment and reacting to changes in humidity and temperature levels in the room, turning the fan ON at the right time, and then running the fan until the room is dry. HSW not only detects RH (Relative Humidity), it detects dew point, which is the real indication of harmful condensation and moisture. The new QUE™ Technology tracks changes in temperature and humidity, and returns your room back to normal levels after eliminating excess condensation created by activities such as showering. HSW is not fooled by daily or seasonal changes in your room's climate.

Compliance

 cULus Listed, UL20, Conform to NEMA WD-1 and WD-6

RoHS Compliant, CalGreen Compliant, Title 24 Compliant

Technical Information

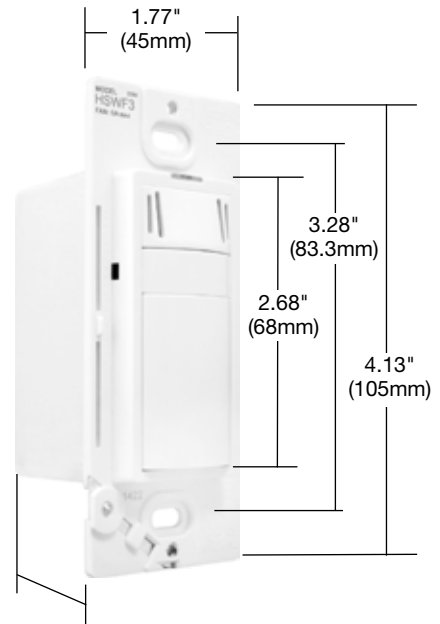
Performance

Catalog No. – HSWF3 (W = White, LA = Light Almond) –
The HSWF version (Fan) is designed with one (1) load wire for fan control, and one single switch on the faceplate.

Electrical Input	120 volts @ 60Hz
Maximum Fan Load	6 Amps
Dry Contact Switching	24 volts AC input/output
Connections (4-Wire)	#14 or #12 copper wire

Catalog No. – HSWC3 (W = White, LA = Light Almond) –
The HSWC version (Combo) is designed with two (2) load wires, one each for separate control of a fan and a light. There are two switches on the faceplate.

Electrical Input	120 volts @ 60Hz
Maximum Fan Load	6 Amps
Dry Contact Switching	24 volts AC input/output
Connections (5-Wire)	#14 or #12 copper wire
Max. Fluorescent Light Load	400 watt
Max. Incandescent Light Load	600 watt
Max. LED/CFL Load	150 Watt



Depth from mounting plate holes to back of box (not including wires) equals 1.26" (32mm)

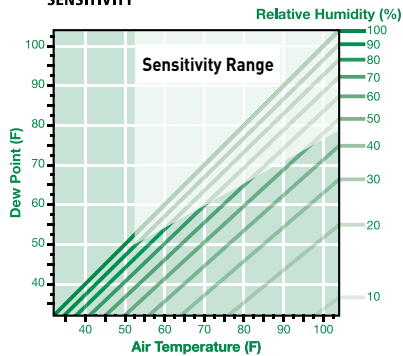
HSWF3

Warranty

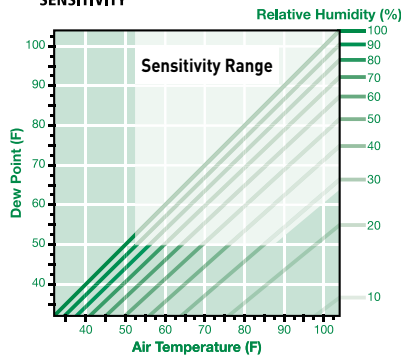
One Year Warranty

How HSW Works

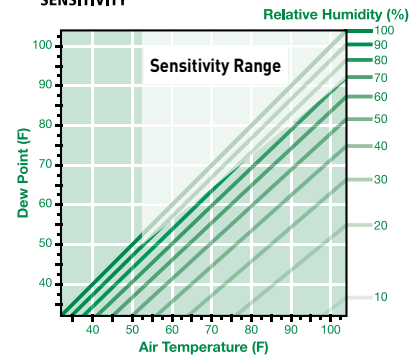
The charts below demonstrate the wide range HSW monitors for condensation and humidity. Adjustment is simple. Turn HSW ON and, while ON, turn the adjustment dial until the blue LED begins to blink slowly. The blinking indicates that the dew point and humidity range in the room has been detected by HSW. Next, move the dial until the blinking stops, then just a little further to allow for the perfect setting. This simple way of calibrating HSW to your room's climate provides the perfect setting for rooms large or small, humid or dry. Once set, HSW will detect condensation increases and automatically turn ON your fan or ventilation system until the room is dry. HSW can be used in all areas of a home where moisture is a concern.



HSW is set at the factory to the most common setting. The sensitivity range on the chart shows at which point HSW will turn ON the fan or ventilation system.



Setting HSW to its most sensitive setting covers the widest range of humidity. This is a setting for dryer climates and/or larger rooms.



The least sensitive setting is used in hotter and more humid climates.

Ordering Information

The HSWF version (Fan) is designed with one (1) load wire for fan control, and one single switch on the faceplate.

HSWF3W
HSWF3LA

The HSWC version (Combo) is designed with two (2) load wires, one each for separate control of a fan and a light. There are two switches on the faceplate.

HSWC3W
HSWC3LA



Complementary Devices & Accessories



PLT26351W Plug Load™ Timer Receptacle

- A smart, simple way to provide standalone plug load control to connected devices and equipment
- Compliant with 2014 NEC®, CA Title 24, and ASHRAE 90.1
- Two individual programs can be set to automatically control plug loads



RH703PTUTC radiant® Tru-Universal Paddle Dimmer

- Works with virtually any dimmable lamp and load on typical residential or light commercial wiring (except 0-10V LED drivers)
- Part of the new radiant® collection
- Preset, single pole and 3-way operation
- Comes with 3 interchangeable face plates (Ivory, Light Almond, White)

Vertical Markets

- Residential
- Multi-Dwelling Units
- Worship
- Light Commercial
- Education

NOTE: All brand and product names referenced in this document are registered trademarks or trademarks of their respective holders.



NOTE: The paper used to print this document is an environmentally responsible paper with 10% post consumer waste, with FSC and SFI Chain of Custody certifications, Lacey Act compliant. 100% of the electricity used to manufacture Flo sheets is generated with Green-e certified renewable energy.



Legrand, North America
60 Woodlawn Street
West Hartford, CT 06110
1.877.BY.LEGRAND (295.3472)
www.legrand.us

570 Applewood Crescent
Vaughan, Ontario L4K 4B4
905.738.9195
www.legrand.ca

FOLLOW US

