

## Floor Boxes That Restore & Maintain Floor Fire Ratings

Legrand® takes Resource RFB® Series Floor Boxes to the next level with the introduction of four recessed style floor box models that meet or exceed UL Fire Classification requirements. Available in 2-gang and 4-gang versions. These floor boxes preserve the two-hour and three-hour fire rating of floors in which they have been installed and are a favored industry solution for getting power, communication, and audio video services into open spaces. These new boxes also accept existing cover plate and service fitting offerings.

When properly installed, Fire Classified Floor Boxes save time and money for general contractors and installers by eliminating the need for spraying to fireproof floors. They also eliminate the guesswork for inspectors and provide reassurance for building owners and property managers by meeting or exceeding the UL Fire Classification Standards for Floor Boxes.

Resource RFB Series Fire Classified Floor Boxes maintain up to a three-hour fire rating and are available in two- and 4-gang versions.



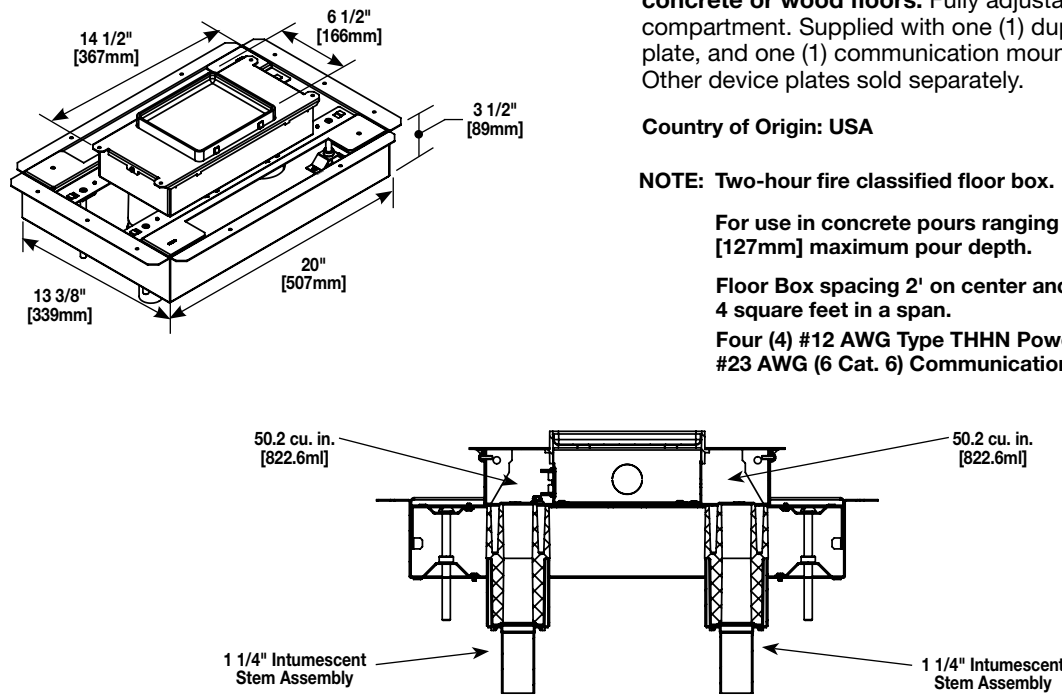
### FEATURES & BENEFITS

- **Maintains fire classification of fire rated floors.** Fire rated floor boxes preserve up to a three-hour fire rating for floors in which they are installed. Eliminates the need to install additional fireproofing to underfloor surfaces to restore the floor's fire rating.
- **UL Listed and UL Fire Classified to U.S. and Canadian safety standards for tile and terrazzo.** Standard fire rating provides peace of mind for building owners, general contractors, installers, and inspectors that building floors will meet safety guidelines for occupants. Includes the UL requirements under UL514A and UL514C for the scrub water exclusions test for carpet, tile and wood floors and UL263 for fire rating.
- **Fully adjustable boxes.** Each floor box model is adjustable both before and after the concrete pour. Adjustability reduces installation errors and reduces labor and installation costs by adapting to various pour depths and conditions.
- **Triple service.** Accommodates power, communication and/or audio/video devices reducing the need for multiple boxes.
- **Provide more services to open space environments.** Fire rated floor boxes provide multiple service and capacity options and can be installed 2 feet on center for increased accessibility to services for occupants.
- **Available in two- and four-gang versions in both flush and recessed models.** Dividers can be removed in several models for greater capacity and to provide multiple configuration options for multi-service installations.
- **Accepts existing covers.** Allows for a consistent aesthetic finish.
- **TopGuard Protection.** Integral design components that prevents water, dirt and debris from entering power and communication compartments. Whenever you see the TopGuard protection icon on any Wiremold product, you'll know it meets and exceeds UL scrub water exclusion requirements for tile, wood covered, polished concrete, terrazzo and carpet floors.
- **Communication connectivity options.** Accepts industry standard and proprietary devices from a wide range of manufacturers to provide a seamless and aesthetically pleasing interface for voice, data, audio, and video applications at the point-of-use. A wide selection of data and adapter options are available for use with Ortronics® TracJack and Series II devices.



Protection from water, dirt, and debris.

# Fire Classified RFB2™ Series Multi-Service Steel Recessed Floor Box Ordering Information

Catalog No./Item	Description/Specifications
<p><b>RFB2S-FC</b></p> 	<p><b>Fire Classified Two-Compartment Box – For use in either concrete or wood floors.</b> Fully adjustable with tunnel compartment. Supplied with one (1) duplex receptacle, mounting plate, and one (1) communication mounting plate (RFB22AB). Other device plates sold separately.</p> <p><b>Country of Origin: USA</b></p> <p><b>NOTE: Two-hour fire classified floor box.</b></p> <p>For use in concrete pours ranging from 2" [51mm] to 5" [127mm] maximum pour depth.</p> <p>Floor Box spacing 2' on center and one for every 4 square feet in a span.</p> <p>Four (4) #12 AWG Type THHN Power Conductors or 48 #23 AWG (6 Cat. 6) Communication Conductors per gang.</p>

**NOTE: UL Listed for terrazzo, polished concrete, wood, tile, and carpet covered concrete floors.**

All cover assemblies for the RFB2S-FC Series Floor Box have TopGuard protection.



# Fire Classified RFB2™ Series Multi-Service Steel Recessed Floor Box Ordering Information

## Catalog No./Item

## Description/Specifications

RFB2S-FC12

**Fire Classified Two-Compartment Box - For use in either concrete or wood floors.** Fully adjustable with tunnel compartment. Supplied with one (1) duplex receptacle, mounting plate, and one (1) communication mounting plate (RFB22AB). Other device plates sold separately.

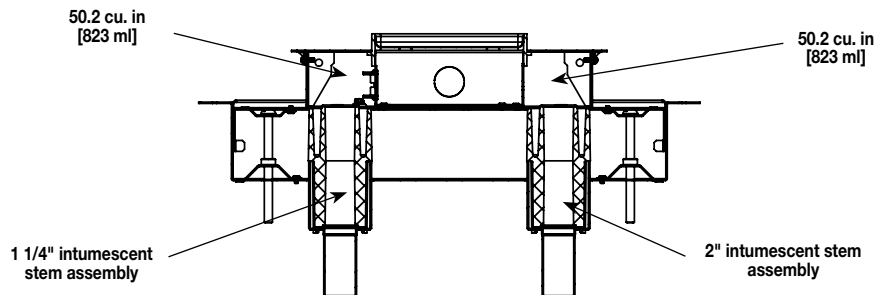
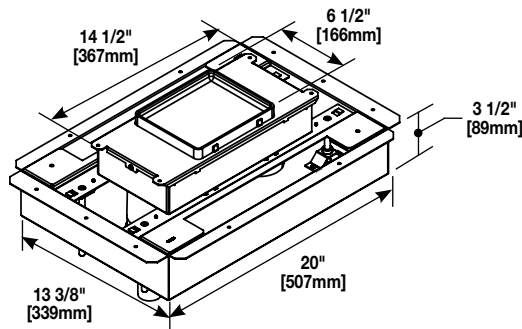
**Country of Origin: USA**

**NOTE: Three-hour fire classified floor box.**

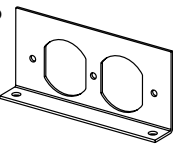
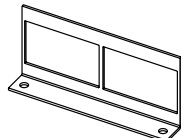
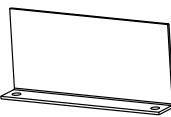
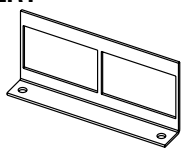
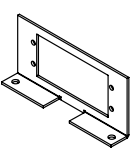
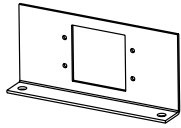
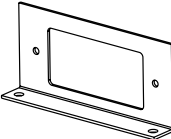
For use in concrete pours ranging from 2" [51mm] to 6 1/2" [165mm] maximum pour depth.

Floor Box spacing 2' on center and one for every 4 square feet in a span.

Four (4) #12 AWG Type THHN Power Conductors or 48 #23 AWG (6 Cat. 6) Communication Conductors per gang.



## Fire Classified RFB2 Series Multi-Service Steel Recessed Floor Box Accessories

Catalog No./Item	Description/Specifications	Catalog No./Item	Description/Specifications
RFB2DP	 <p><b>Internal Duplex Receptacle Bracket</b> – Accepts standard 15A &amp; 20A duplex receptacles. <b>NOTE: For RFB2 Series Floor Boxes only.</b></p>	RFB22AB	 <p><b>Internal Communication Bracket</b> – Includes two (2) adapters to accept Wiremold CM2 Open System communication inserts. (Sold separately.) <b>NOTE: For RFB2 Series Floor Boxes only.</b></p>
RFB2B	 <p><b>Internal Blank Bracket</b> – Plate used to close off unused gangs. <b>NOTE: For RFB2 Series Floor Boxes only.</b></p>	RFB2RT	 <p><b>Internal Communication Bracket</b> – Includes two (2) adapters to accept Ortronics® TracJack devices, and two (2) adapters to accept Ortronics Series II devices. (Sold separately.) <b>NOTE: For RFB2 Series Floor Boxes only.</b></p>
RFB2-AAP	 <p><b>Internal Audio Video Bracket</b> – Accepts Extron® Electronics AAP Series Devices. (Sold separately.) <b>NOTE: For RFB2 Series Floor Boxes only.</b></p>	RFB2EXT	 <p><b>Internal Audio Video Bracket</b> – Accepts two (2) Legrand AVIP devices or Extron® Electronics MAAP Series devices. (Sold separately.) <b>NOTE: For RFB2 Series Floor Boxes only.</b></p>
RFB2GFI	 <p><b>Internal GFI or Decorator Style Receptacle Opening</b> – Accepts standard GFCI or Decorator Style Receptacles, Communication or Audio/Video Devices. <b>NOTE: For RFB2 Series Floor Boxes only.</b></p>		

**NOTE: UL Listed for terrazzo, polished concrete, wood, tile, and carpet covered concrete floors.**

**NOTE: Country of Origin for RFB2 Series Floor Box Accessories: Made in USA.**

All cover assemblies for the RFB2S-FC Series Floor Box have TopGuard protection.



# Fire Classified RFB4™ Series Multi-Service Steel Recessed Floor Box Ordering Information

Catalog No./Item	Description/Specifications
------------------	----------------------------

RFB4S-FC

**Fire Classified Four-Compartment Box** – Includes four duplex receptacle brackets. 12 3/4" L x 10" W x 3 7/16" D [324mm x 254mm x 87mm]. Fully adjustable. **Tunneling from adjacent compartments only, (not cross compartments).** Tunneling can be set to feed all four compartments from one conduit in a single-service application.

Country of Origin: USA

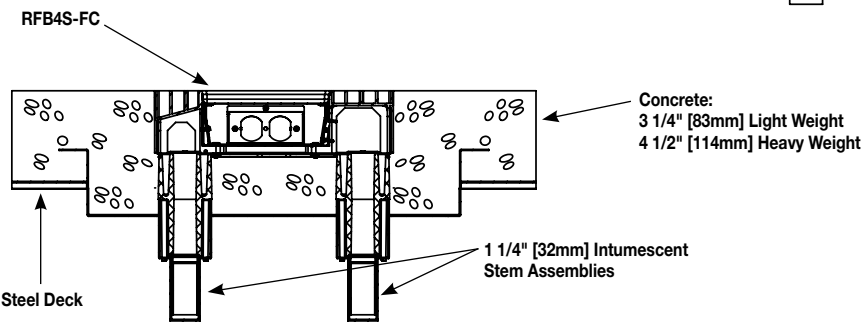
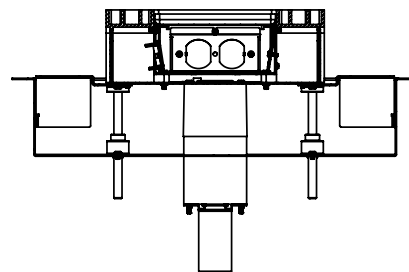
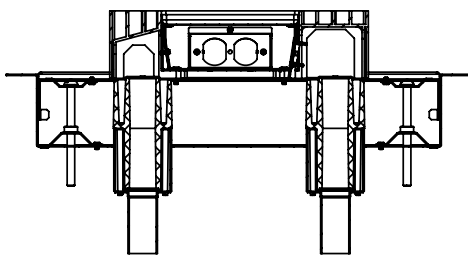
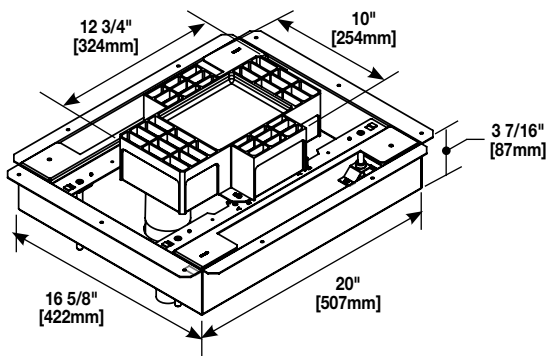
**NOTES:** Two-hour fire classified floor box.

For use in concrete pours ranging from 2" [51mm] to 5" [127mm] maximum pour depth.

Floor Box spacing 2' on center and one for every 4 square feet in a span.

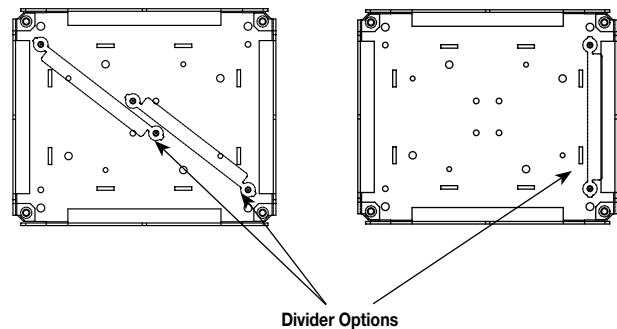
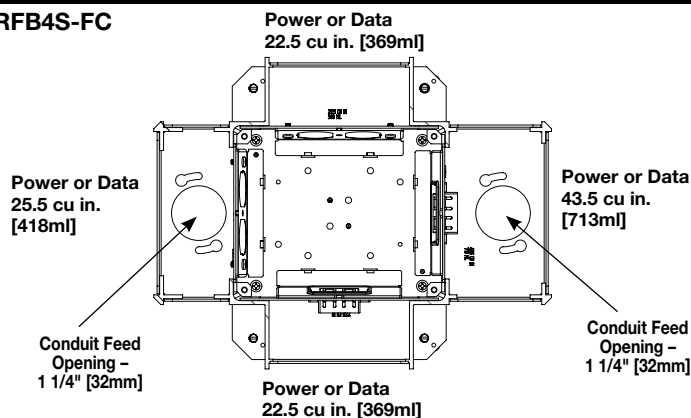
Four (4) #12 AWG Type THHN Power Conductors or 48 #23 AWG (6 Cat. 6) Communication Conductors per gang.

All boxes and activations are sold separately.



## Fire Classified RFB4S-FC Series Compartment Capacities, Knockout Locations and Sizes

RFB4S-FC



**NOTE:** UL Listed for terrazzo, polished concrete, wood, tile, and carpet covered concrete floors.

All cover assemblies for the RFB4S-FC Series Floor Box have TopGuard protection.



# Fire Classified RFB4™ Series Multi-Service Steel Recessed Floor Box Ordering Information

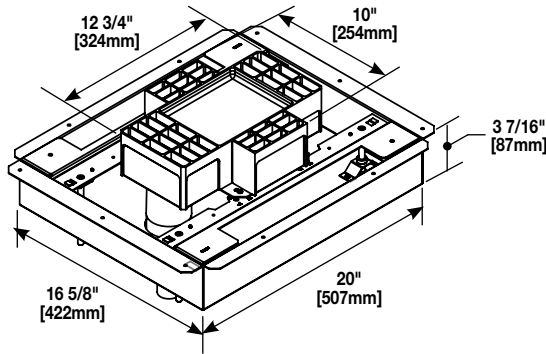
Catalog No./Item

Description/Specifications

RFB4S-FC12

**Fire Classified Four-Compartment Box** – Includes four duplex receptacle brackets. 12 3/4" L x 10" W x 3 7/16" D [324mm x 254mm x 87mm]. Fully adjustable. **Tunneling from adjacent compartments only, (not cross compartments).** Tunneling can be set to feed all four compartments from one conduit in a single-service application.

Country of Origin: USA



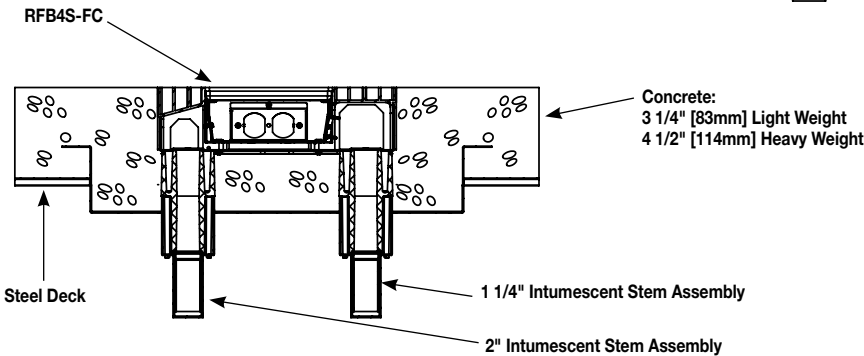
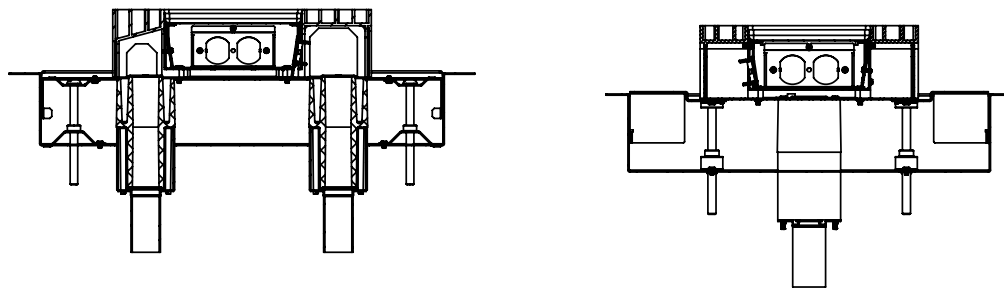
**NOTES:** Three-hour fire classified floor box.

For use in concrete pours ranging from 2" [51mm] to 6 1/2" [165mm] maximum pour depth.

Floor Box spacing 2' on center and one for every 4 square feet in a span.

Four (4) #12 AWG Type THHN Power Conductors or 48 #23 AWG (6 Cat. 6) Tele Data Conductors per gang.

All boxes and activations are sold separately.



## Fire Classified RFB4S-FC Series Compartment Capacities, Knockout Locations and Sizes

RFB4S-FC

Power or Data  
22.5 cu in. [369ml]

Power or Data  
25.5 cu in.  
[418ml]

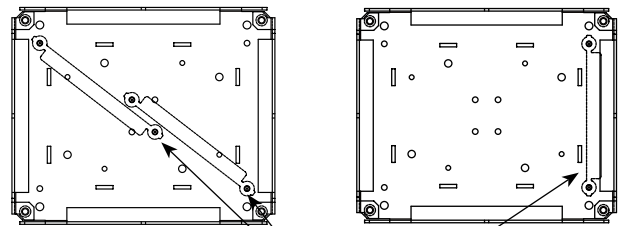
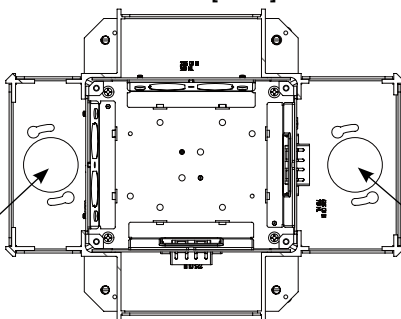
Power or Data  
43.5 cu in.  
[713ml]

Conduit Feed  
Opening –  
2" [51mm]

Power or Data  
22.5 cu in. [369ml]

Conduit Feed  
Opening –  
1 1/4" [32mm]

Divider Options

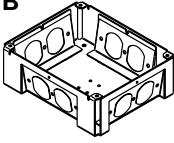
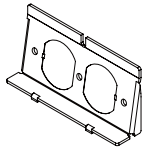
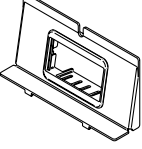
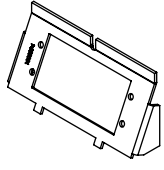
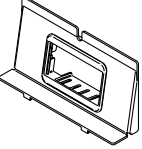
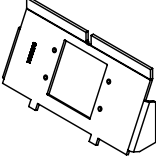
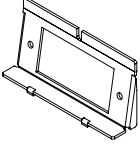
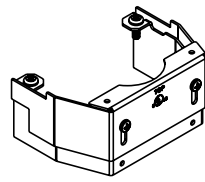


**NOTE:** UL Listed for terrazzo, polished concrete, wood, tile, and carpet covered concrete floors.

All cover assemblies for the RFB4S-FC Series Floor Box have TopGuard protection.



## Fire Classified RFB4 Series Multi-Service Steel Recessed Floor Box Accessories

Catalog No./Item	Description/Specifications	Catalog No./Item	Description/Specifications
<b>RFB-WTB</b> 	<b>Conversion Kit</b> – Converts RFB4 Box to a RFB4-4DB Box. <b>Country of Origin: USA</b>	<b>RFB-DR-4DB</b> 	<b>Internal Duplex Receptacle Bracket</b> – Accepts 15 Amp and 20 Amp duplex receptacles. <b>Country of Origin: USA</b> <b>NOTE: For use with RFB4-4DB.</b>
<b>WTB-2-AB</b> 	<b>Communication Bracket</b> – One Wiremold CM2 Open System inserts sold separately. <b>Country of Origin: USA</b> <b>NOTE: For use with RFB4-4DB.</b>	<b>WTB-AAP</b> 	<b>Internal Audio Video Bracket</b> – Accepts two (2) Legrand AVIP device plates or Extron® Electronics AAP Series devices. (Sold separately.) <b>Country of Origin: USA</b> <b>NOTE: For use with RFB4-4DB.</b>
<b>WTB-2-RT</b> 	<b>Communication Bracket</b> – Ortronics® AB2TJ TracJack and ABS2 Series II adapters included. <b>Country of Origin: USA</b> <b>NOTE: For use with RFB4-4DB.</b>	<b>WTB-MAAP</b> 	<b>Internal Audio Video Bracket</b> – Accepts two (2) Legrand AVIP device plates or Extron® Electronics MAAP Series devices. (Sold separately.) <b>Country of Origin: USA</b> <b>NOTE: For use with RFB4-4DB.</b>
<b>RFB-GFI-4DB</b> 	<b>Internal GFCI or Decorator Style Receptacle Opening</b> – Accepts standard GFCI or Decorator Style Receptacles, Communication or Audio/Video Devices. <b>Country of Origin: USA</b> <b>NOTE: For use with RFB4-4DB.</b>	<b>RFBKIT</b> 	<b>Barrier Kit</b> – Barrier kit used to separate power and communication wires in partition feed covers. Supplied with base and three extensions to adjust to cover height. Kit should be used on RFB2, RFB2-OG, RFB2-SS, RFB4 and RFB4-SS Floor Boxes. Kits are sold separately. <b>Country of Origin: USA</b>

Additional configurations are available. Please consult your Wiremold Field Sales Representative for more information.

## FLOORPORT PART NUMBER CONFIGURATOR

FP	B	TC	NK	NA	
FloorPort Cover	Blank Top Cutout Top Furniture Feed	B Tile (Flangeless) C Tile/Carpet FF (Flanged)	T TC	NK Nickel BS Brass BK Black BZ Bronze GY Gray AL Brushed Aluminum	North American Made NA (Optional)

## FloorPort™ Series Flanged Cover Assemblies Ordering Information

Catalog No./Item	Description/Specifications	Catalog No./Item	Description/Specifications
<b>FPCTCBK</b> <b>FPCTCBZ</b> <b>FPCTCBS</b> <b>FPCTCNK</b> <b>FPCTCAL</b> <b>FPCTCGY</b>	<b>Cutout Cover Assembly –</b> Flanged cover for use in tile or carpet installation. Die-cast aluminum assembly available in black (BK), bronze (BZ), brass (BS), nickel (NK), gray (GY), or brushed aluminum (AL). Insert in lid allows for carpet or tile cutouts to match finished floor.  <b>Country of Origin: India</b>	<b>FPBTCBK</b> <b>FPBTCBZ</b> <b>FPBTCBS</b> <b>FPBTCNK</b> <b>FPBTCAL</b> <b>FPBTCGY</b>	<b>Blank Cover Assembly –</b> Flanged cover for use in tile or carpet installation. Die-cast aluminum assembly available in black (BK), bronze (BZ), brass (BS), nickel (NK), gray (GY), or brushed aluminum (AL). Lid area is flush with the finished floor, no cutouts provided.  <b>Country of Origin: India</b>

## North American Made FloorPort Series Flanged Cover Assemblies Ordering Information

Catalog No./Item	Description/Specifications	Catalog No./Item	Description/Specifications
<b>FPCTCBK-NA</b> <b>FPCTCBZ-NA</b> <b>FPCTCBS-NA</b> <b>FPCTCNK-NA</b> <b>FPCTCGY-NA</b>	<b>Cutout Cover Assembly –</b> Flanged cover for use in tile or carpet installation. Die-cast aluminum assembly available in black (BK), bronze (BZ), brass (BS), nickel (NK), or gray (GY). Insert in lid allows for carpet or tile cutouts to match finished floor.  <b>Country of Origin: USA</b>	<b>FPFFTCBK</b> <b>FPFFTCBZ</b> <b>FPFFTCBS</b> <b>FPFFTCNK</b> <b>FPFFTCAL</b> <b>FPFFTCGY</b>	<b>Furniture Feed Cover Assembly –</b> Flanged cover for use in tile or carpet installation. Die-cast aluminum assembly available in black (BK), bronze (BZ), brass (BS), nickel (NK), gray (GY), or brushed aluminum (AL). Provided with one 1" trade size screw plug for power or communication type cabling and one combination 1 1/4" and 2" trade size screw plug for communication type cabling. Allows for feeding both power and communication cabling.  <b>Country of Origin: USA</b>
<b>FPBTCBK-NA</b> <b>FPBTCBZ-NA</b> <b>FPBTCBS-NA</b> <b>FPBTCNK-NA</b> <b>FPBTCGY-NA</b>	<b>Blank Cover Assembly –</b> Flanged cover for use in tile or carpet installation. Die-cast aluminum assembly available in black (BK), bronze (BZ), brass (BS), nickel (NK), or gray (GY). Lid area is flush with the finished floor, no cutouts provided.  <b>Country of Origin: USA</b>	<b>FP-CTR</b>	<b>Bare Concrete &amp; Terrazzo Ring –</b> Nonmetallic ring for use on polished concrete and terrazzo floor applications.  <b>Country of Origin: USA</b>

### LOAD CAPACITIES FOR FLOORPORT COVER ASSEMBLIES

CATALOG NUMBERS	MAXIMUM LOAD IN POUNDS
FPCTC	1000
FPBTC	750
FPFFTC	1000

**NOTE:** Load applied through a 2" [51mm] mandrel in center of service fitting. Loads above are static loads only and do not pertain to rolling loads.

**NOTE:** Pricing varies depending on country of origin. Consult your local sales representative for more information.

**NOTE:** UL Listed for terrazzo, polished concrete, wood, tile, and carpet covered concrete floors.

All cover assemblies for the RFB4S-FC Series Floor Box have TopGuard protection.



# NOTES



**Electrical Wiring Systems**

60 Woodlawn Street  
West Hartford, CT 06110  
Phone: 1.877.BY.LEGRAND (295-3472)  
[www.legrand.us](http://www.legrand.us)

570 Applewood Crescent  
Vaughan, Ontario L4K 4B4  
Phone: 905.738.9195  
[www.legrand.ca](http://www.legrand.ca)

