



Wiremold Electrical Systems conform to and should be properly grounded in compliance with requirements of the current National Code or codes administered by local authorities.

# 25DTPC AMTPC Series INSTALLATION INSTRUCTIONS

All electrical products may represent a possible shock or fire hazard if improperly installed or used. Wiremold electrical products are UL listed, made for interior use in dry locations only and should be installed in conformance with current local and/or the National Electrical Code.

- Components Included . . .**  
 Communications Add-On Compartment  
 Two Trim Plates  
 One Entrance End Plate  
 Two Grommets

### Communication Capacities

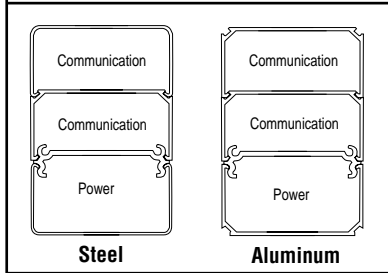
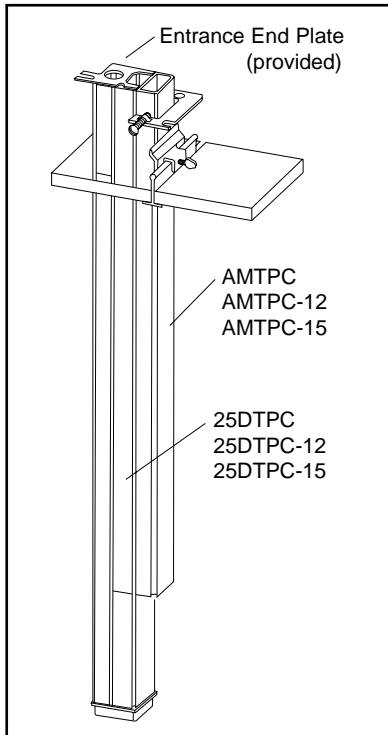
Communication Cables- No. of Pairs		25	4
No. of Cables	30% Fill	9	40
	60% Fill	18	80

### 25DTPC Series

1. Remove pole entrance end plate.
2. Remove communications compartment.
3. Snap on 25DTPC to divider.
4. Snap on communications compartment to 25DTPC.
5. Screw on entrance plate (provided).
6. Remount pole.

### AMTPC Series

1. Remove pole entrance end plate.
2. Snap on AMTPC to side of communications compartment.
3. Screw on entrance end plate (provided).
4. Remount pole.



**The Wiremold Company**  
 60 Woodlawn Street, P.O. Box 332500  
 West Hartford, CT 06133-2500  
 Tel. (203) 233-6251 Fax 203-232-2062