



Hammond Power  
Solutions Inc.

your *first*  
source for  
transformers



**HPS Fusion™**  
General Purpose  
Enclosed Transformer

*Other HPS Products*



[www.hammondpowersolutions.com](http://www.hammondpowersolutions.com)

# HPS Fusion™

General Purpose Enclosed  
Transformer



## OUR COMPANY

Hammond Power Solutions (HPS) was established in 1917 in Guelph, Ontario and has grown from a small family owned business in the short wave radio market, to the industry leader in magnetic transformer design and manufacturing. HPS has manufacturing facilities in Compton, California; Guelph, Ontario; Walkerton, Ontario; Granby, Quebec; and Monterrey, Mexico. HPS has multiple regional distribution centers throughout North America.

## GENERAL PURPOSE ENCLOSED TRANSFORMER

The HPS Fusion™ line of enclosed transformers are an indoor, cost effective approach ideally suited for single phase, general purpose industrial and light duty loads.

## APPLICATIONS

The HPS Fusion™ is the perfect solution and is specifically designed for the following applications:

- General purpose enclosed applications used to adjust a supply voltage to match a load requirement
- Supplying motor control circuits
- Signal and Alarm systems
- Industrial lighting and circuit isolation
- HVAC applications

## INDUSTRIES

- Commercial
- Industrial
- Security
- HVAC





## FEATURES AND BENEFITS

- Molded terminal blocks for primary and secondary connections up to 3000 VA or 30 amps. Coil face termination over 3000 VA or 30 amps.
- All terminal blocks utilize a combination slot/ Phillips #6 screw with a SEMS washer (suitable for 18 AWG to 14 AWG solid wire and 18 AWG to 12 AWG stranded wire). Units with coil face terminations utilize a ¼-20 UNC X 0.50" combination slot/ Phillips screw and a spring lock washer.
- 50/60 Hz (60 Hz on FS\*\*\*ACP and FS\*\*\*AR).
- Copper wound coils with high dielectric strength insulation.
- Bolted core construction.
- CSA Certified (file LR 3902), UL Listed (file E50394), CE Marked and RoHS Compliant.
- Meets NEMA standards.
- All HPS Fusion core and coils are Vacuum Impregnated with Polyester Resin and oven cured.
- Superior insulating materials. The HPS Fusion™ offers the following insulation systems:
  - Up to 1500 VA: 95°C temperature rise, 130°C insulation class (B)
  - 2000 VA to 5000 VA: 130°C temperature rise, 180°C insulation class (F)(Note: Temperature rise based on 25°C ambient)
- All units supplied with primary and secondary voltage links/jumpers.
- Rugged TYPE 1 enclosure.
- Finish - green powder coat.
- Primary and secondary ground screws.
- Four (0.88") wiring knockouts and four (0.50") accessory knockouts.
- Optional panel mount fuse holder.
- Easy mounting and installation via four mounting slots and two keyhole slots.
- Easy access to primary and secondary wiring compartment through removable covers.
- Most HPS Fusion units incorporate "Premium Packaging" which feature:
  - Premium fluted cartons
  - Custom molded foam inserts
  - Easy removal and repacking
  - Industry's best box label
  - Environmentally neutral
- All HPS Fusion units are supplied with trilingual installation and wiring instruction sheets.
- **15 Year Warranty.**



# HPS Fusion™

General Purpose Enclosed  
Transformer



## Group A

Primary Voltage: 600/480 || 575/460 || 550/440  
Secondary Voltage: 120 x 240 || 115 x 230 || 110 x 220



60 Hertz

| VA Rating | CE VA Rating | Catalog Number | Output Amps | Overall Dimensions |      |      | Mounting Centers |      | Mounting Slot | Approx. Ship Weight Lbs. |
|-----------|--------------|----------------|-------------|--------------------|------|------|------------------|------|---------------|--------------------------|
|           |              |                |             | A                  | B    | C    | D                | E    | G X H         |                          |
| 50        | 50           | FS50ACP        | 0.42/0.21   | 2.7                | 6.4  | 3.33 | 1.66             | 4.16 | 0.22 x 0.44   | 3.0                      |
| 100       | 100          | FS100ACP       | 0.83/0.42   | 3.09               | 6.3  | 3.6  | 2.05             | 3.5  | 0.22 x 0.44   | 4.2                      |
| 150       | 150          | FS150ACP       | 1.25/0.63   | 3.09               | 6.9  | 3.6  | 2.05             | 4.1  | 0.22 x 0.44   | 5.3                      |
| 250       | 160          | FS250ACP       | 2.08/1.04   | 3.9                | 6.6  | 4.3  | 2.52             | 3.9  | 0.22 x 0.44   | 7.6                      |
| 350       | 250          | FS350ACP       | 2.92/1.46   | 3.9                | 7    | 4.3  | 2.52             | 4.3  | 0.22 x 0.44   | 8.7                      |
| 500       | 300          | FS500ACP       | 4.17/2.08   | 4.6                | 7.2  | 4.6  | 3.3              | 4.5  | 0.31 x 0.81   | 13.3                     |
| 750       | 500          | FS750ACP       | 6.25/3.13   | 5.6                | 7.6  | 5.1  | 4                | 4.9  | 0.31 x 0.81   | 20.3                     |
| 1000      | 650          | FS1000ACP      | 8.33/4.17   | 5.6                | 8    | 5.1  | 4                | 5.3  | 0.31 x 0.81   | 22.9                     |
| 1500      | 1000         | FS1500ACP      | 12.5/6.25   | 5.6                | 9.4  | 5.1  | 4                | 6.7  | 0.31 x 0.81   | 30.3                     |
| 2000      | 1300         | FS2000ACP      | 16.7/8.33   | 6.6                | 9.1  | 6    | 5.1              | 5.7  | 0.31 x 0.81   | 37.1                     |
| 3000      | 2000         | FS3000ACP      | 25.0/12.5   | 7.8                | 11.3 | 6.7  | 6.3              | 6.9  | 0.31 x 0.81   | 64.0                     |
| 5000      | 3000         | FS5000ACP      | 41.7/20.8   | 9.3                | 14.9 | 8    | 7.1              | 7.3  | 0.31 x 0.81   | 99.7                     |

Primary and Secondary voltage links/jumpers supplied standard with all transformers.

Special voltages and VA sizes available upon request.

\* See page 10 for dimensional drawings.

All dimensions in inches

## Group B

Primary Voltage: 600 || 575 || 550  
Secondary Voltage: 12 x 24 || 11.5 x 23 || 11 x 22



60 Hertz

| VA Rating | CE VA Rating | Catalog Number | Output Amps | Overall Dimensions |     |      | Mounting Centers |      | Mounting Slot | Approx. Ship Weight Lbs. |
|-----------|--------------|----------------|-------------|--------------------|-----|------|------------------|------|---------------|--------------------------|
|           |              |                |             | A                  | B   | C    | D                | E    | G X H         |                          |
| 50        | 50           | FS50AR         | 4.17/2.08   | 2.7                | 5.8 | 3.33 | 1.66             | 3.58 | 0.22 x 0.44   | 2.3                      |
| 100       | 100          | FS100AR        | 8.33/4.17   | 3.09               | 6.3 | 3.6  | 2.05             | 3.5  | 0.22 x 0.44   | 4.2                      |
| 150       | 150          | FS150AR        | 12.5/6.25   | 3.09               | 6.7 | 3.6  | 2.05             | 3.9  | 0.22 x 0.44   | 4.8                      |
| 250       | 160          | FS250AR        | 20.8/10.4   | 3.9                | 6.2 | 4.3  | 2.52             | 3.5  | 0.22 x 0.44   | 6.4                      |
| 350       | 250          | FS350AR        | 29.2/14.6   | 3.9                | 6.8 | 4.3  | 2.52             | 4.1  | 0.22 x 0.44   | 8.3                      |
| 500       | 300          | FS500AR        | 41.7/20.8   | 4.6                | 6.8 | 4.1  | 3.3              | 4.5  | 0.31 x 0.81   | 11.8                     |

Primary and Secondary voltage links/jumpers supplied standard with all transformers.

Special voltages and VA sizes available upon request.

\* See page 10 for dimensional drawings.

All dimensions in inches



Hammond Power Solutions Inc.

### Group C

Primary Voltage: 240 x 480 || 230 x 460 || 220 x 440  
 Secondary Voltage: 120 x 240 || 115 x 230 || 110 x 220



| VA Rating | CE VA Rating | Catalog Number | Output Amps | Overall Dimensions |      |      | Mounting Centers |      | Mounting Slot | Approx. Ship Weight Lbs. |
|-----------|--------------|----------------|-------------|--------------------|------|------|------------------|------|---------------|--------------------------|
|           |              |                |             | A                  | B    | C    | D                | E    | G X H         |                          |
| 50        | 50           | FS50MQMJ       | 0.42/0.21   | 2.7                | 5.9  | 3.33 | 1.66             | 3.69 | 0.22 x 0.44   | 2.5                      |
| 100       | 100          | FS100MQMJ      | 0.83/0.42   | 3.09               | 6.3  | 3.6  | 2.05             | 3.5  | 0.22 x 0.44   | 3.9                      |
| 150       | 150          | FS150MQMJ      | 1.25/0.63   | 3.09               | 6.9  | 3.6  | 2.05             | 4.1  | 0.22 x 0.44   | 5.2                      |
| 250       | 160          | FS250MQMJ      | 2.08/1.04   | 3.9                | 6.6  | 4.3  | 2.52             | 3.9  | 0.22 x 0.44   | 7.7                      |
| 350       | 250          | FS350MQMJ      | 2.92/1.46   | 3.9                | 7.2  | 4.3  | 2.52             | 4.9  | 0.22 x 0.44   | 9.4                      |
| 500       | 300          | FS500MQMJ      | 4.17/2.08   | 4.6                | 7.2  | 4.6  | 3.3              | 4.5  | 0.31 x 0.81   | 13.2                     |
| 750       | 500          | FS750MQMJ      | 6.25/3.13   | 5.6                | 7.2  | 5.1  | 4                | 4.5  | 0.31 x 0.81   | 18.0                     |
| 1000      | 650          | FS1000MQMJ     | 8.33/4.17   | 5.6                | 8    | 5.1  | 4                | 5.3  | 0.31 x 0.81   | 22.8                     |
| 1500      | 1000         | FS1500MQMJ     | 12.5/6.25   | 6.6                | 8.5  | 6    | 5.1              | 5.1  | 0.31 x 0.81   | 31.1                     |
| 2000      | 1300         | FS2000MQMJ     | 16.7/8.33   | 6.6                | 9.1  | 6    | 5.1              | 5.7  | 0.31 x 0.81   | 38.1                     |
| 3000      | 2000         | FS3000MQMJ     | 25.0/12.5   | 7.8                | 11.7 | 6.7  | 6.3              | 7.3  | 0.31 x 0.81   | 68.5                     |
| 5000      | 3000         | FS5000MQMJ     | 41.7/20.8   | 9.3                | 15.1 | 8    | 7.4              | 7.3  | 0.31 x 0.81   | 104.2                    |

Primary and Secondary voltage links/jumpers supplied standard with all transformers.  
 Special voltages and VA sizes available upon request.  
 \* See page 10 for dimensional drawings.

All dimensions in inches

### Group D

Primary Voltage: 240 x 480 || 230 x 460 || 220 x 440  
 Secondary Voltage: 12 x 24 || 11.5 x 23 || 11 x 22



| VA Rating | CE VA Rating | Catalog Number | Output Amps | Overall Dimensions |     |      | Mounting Centers |      | Mounting Slot | Approx. Ship Weight Lbs. |
|-----------|--------------|----------------|-------------|--------------------|-----|------|------------------|------|---------------|--------------------------|
|           |              |                |             | A                  | B   | C    | D                | E    | G X H         |                          |
| 50        | 50           | FS50QR         | 4.17/2.08   | 2.7                | 5.9 | 3.33 | 1.66             | 3.69 | 0.22 x 0.44   | 2.5                      |
| 100       | 100          | FS100QR        | 8.33/4.17   | 3.09               | 6.1 | 3.6  | 2.05             | 3.35 | 0.22 x 0.44   | 3.9                      |
| 150       | 150          | FS150QR        | 12.5/6.25   | 3.09               | 6.9 | 3.6  | 2.05             | 4.1  | 0.22 x 0.44   | 5.2                      |
| 250       | 160          | FS250QR        | 20.8/10.4   | 3.9                | 6.6 | 4.3  | 2.52             | 3.9  | 0.22 x 0.44   | 7.7                      |
| 350       | 250          | FS350QR        | 29.2/14.6   | 3.9                | 7.2 | 4.3  | 2.52             | 4.9  | 0.22 x 0.44   | 9.5                      |
| 500       | 300          | FS500QR        | 41.7/20.8   | 4.6                | 7.2 | 4.6  | 3.3              | 4.5  | 0.31 x 0.81   | 13.4                     |

Primary and Secondary voltage links/jumpers supplied standard with all transformers.  
 Special voltages and VA sizes available upon request.  
 \* See page 10 for dimensional drawings.

All dimensions in inches

# HPS Fusion™

General Purpose Enclosed  
Transformer



## Group E

Primary Voltage: 380/347  
Secondary Voltage: 120 x 240



| VA Rating | CE VA Rating | Catalog Number | Output Amps | Overall Dimensions |     |      | Mounting Centers |      | Mounting Slot<br>G X H | Approx. Ship Weight Lbs. |
|-----------|--------------|----------------|-------------|--------------------|-----|------|------------------|------|------------------------|--------------------------|
|           |              |                |             | A                  | B   | C    | D                | E    |                        |                          |
| 50        | 50           | FS50KHP        | 0.42/0.21   | 2.7                | 5.9 | 3.33 | 1.66             | 3.69 | 0.22 x 0.44            | 2.5                      |
| 100       | 100          | FS100KHP       | 0.83/0.42   | 3.09               | 6.3 | 3.6  | 2.05             | 3.5  | 0.22 x 0.44            | 4.3                      |
| 150       | 150          | FS150KHP       | 1.25/0.63   | 3.09               | 6.9 | 3.6  | 2.05             | 4.1  | 0.22 x 0.44            | 5.3                      |
| 250       | 160          | FS250KHP       | 2.08/1.04   | 3.9                | 6.6 | 4.3  | 2.52             | 3.9  | 0.22 x 0.44            | 7.9                      |
| 350       | 250          | FS350KHP       | 2.92/1.46   | 3.9                | 7.2 | 4.3  | 2.52             | 4.9  | 0.22 x 0.44            | 9.6                      |
| 500       | 300          | FS500KHP       | 4.17/2.08   | 4.6                | 7.2 | 4.6  | 3.3              | 4.5  | 0.31 x 0.81            | 13.6                     |
| 750       | 500          | FS750KHP       | 6.25/3.13   | 5.6                | 7.2 | 5.1  | 4                | 4.5  | 0.31 x 0.81            | 19                       |
| 1000      | 650          | FS1000KHP      | 8.33/4.17   | 5.6                | 8   | 5.1  | 4                | 5.3  | 0.31 x 0.81            | 23.5                     |
| 1500      | 1000         | FS1500KHP      | 12.5/6.25   | 6.6                | 8.5 | 6    | 5.1              | 5.1  | 0.31 x 0.81            | 31.6                     |

Primary and Secondary voltage links/jumpers supplied standard with all transformers.  
Special voltages and VA sizes available upon request.

All dimensions in inches

\* See page 10 for dimensional drawings.

## Group F

Primary Voltage: 380/347  
Secondary Voltage: 12 x 24



| VA Rating | CE VA Rating | Catalog Number | Output Amps | Overall Dimensions |     |      | Mounting Centers |      | Mounting Slot<br>G X H | Approx. Ship Weight Lbs. |
|-----------|--------------|----------------|-------------|--------------------|-----|------|------------------|------|------------------------|--------------------------|
|           |              |                |             | A                  | B   | C    | D                | E    |                        |                          |
| 50        | 50           | FS50KHR        | 4.17/2.08   | 2.7                | 5.9 | 3.33 | 1.66             | 3.69 | 0.22 x 0.44            | 2.5                      |
| 100       | 100          | FS100KHR       | 8.33/4.17   | 3.09               | 6.3 | 3.6  | 2.05             | 3.5  | 0.22 x 0.44            | 4.2                      |
| 150       | 150          | FS150KHR       | 12.5/6.25   | 3.09               | 6.9 | 3.6  | 2.05             | 4.1  | 0.22 x 0.44            | 5.3                      |
| 250       | 160          | FS250KHR       | 20.8/10.4   | 3.9                | 6.6 | 4.3  | 2.52             | 3.9  | 0.22 x 0.44            | 7.6                      |
| 350       | 250          | FS350KHR       | 29.2/14.6   | 3.9                | 7.2 | 4.3  | 2.52             | 4.9  | 0.22 x 0.44            | 9.3                      |
| 500       | 300          | FS500KHR       | 41.7/20.8   | 4.6                | 7.2 | 4.6  | 3.3              | 4.5  | 0.31 x 0.81            | 13.2                     |

Primary and Secondary voltage links/jumpers supplied standard with all transformers.  
Special voltages and VA sizes available upon request.

All dimensions in inches

\* See page 10 for dimensional drawings.



Hammond Power Solutions Inc.

## Group G

Primary Voltage: 277

Secondary Voltage: 120



50/60 Hertz

| VA Rating | CE VA Rating | Catalog Number | Output Amps | Overall Dimensions |     |      | Mounting Centers |      | Mounting Slot<br>G X H | Approx. Ship Weight Lbs. |
|-----------|--------------|----------------|-------------|--------------------|-----|------|------------------|------|------------------------|--------------------------|
|           |              |                |             | A                  | B   | C    | D                | E    |                        |                          |
| 50        | 50           | FS50NJ         | 0.42        | 2.7                | 5.9 | 3.33 | 1.66             | 3.69 | 0.22 x 0.44            | 2.4                      |
| 100       | 100          | FS100NJ        | 0.83        | 3.09               | 6.1 | 3.6  | 2.05             | 3.35 | 0.22 x 0.44            | 4.1                      |
| 150       | 150          | FS150NJ        | 1.25        | 3.09               | 6.9 | 3.6  | 2.05             | 4.1  | 0.22 x 0.44            | 5.2                      |
| 250       | 160          | FS250NJ        | 2.08        | 3.9                | 6.6 | 4.3  | 2.52             | 3.9  | 0.22 x 0.44            | 7.6                      |
| 350       | 250          | FS350NJ        | 2.92        | 3.9                | 7.2 | 4.3  | 2.52             | 4.9  | 0.22 x 0.44            | 9.3                      |
| 500       | 300          | FS500NJ        | 4.17        | 4.6                | 7.2 | 4.6  | 3.3              | 4.5  | 0.31 x 0.81            | 13.3                     |
| 750       | 500          | FS750NJ        | 6.25        | 5.6                | 7.6 | 5.1  | 4                | 4.9  | 0.31 x 0.81            | 20.1                     |
| 1000      | 650          | FS1000NJ       | 8.33        | 5.6                | 8   | 5.1  | 4                | 5.3  | 0.31 x 0.81            | 22.8                     |
| 1500      | 1000         | FS1500NJ       | 12.50       | 5.6                | 9.4 | 5.1  | 4                | 6.7  | 0.31 x 0.81            | 31.1                     |

Primary and Secondary voltage links/jumpers supplied standard with all transformers.

Special voltages and VA sizes available upon request.

\* See page 10 for dimensional drawings.

All dimensions in inches

## Group H

Primary Voltage: 120 x 240 || 115 x 230 || 110 x 220

Secondary Voltage: 12 x 24 || 11.5 x 23 || 11 x 22



50/60 Hertz

| VA Rating | CE VA Rating | Catalog Number | Output Amps | Overall Dimensions |     |      | Mounting Centers |      | Mounting Slot<br>G X H | Approx. Ship Weight Lbs. |
|-----------|--------------|----------------|-------------|--------------------|-----|------|------------------|------|------------------------|--------------------------|
|           |              |                |             | A                  | B   | C    | D                | E    |                        |                          |
| 50        | 50           | FS50PR         | 4.17/2.08   | 2.7                | 5.9 | 3.33 | 1.66             | 3.69 | 0.22 x 0.44            | 2.5                      |
| 100       | 100          | FS100PR        | 8.33/4.17   | 3.09               | 6.1 | 3.6  | 2.05             | 3.35 | 0.22 x 0.44            | 3.9                      |
| 150       | 150          | FS150PR        | 12.5/6.25   | 3.09               | 6.9 | 3.6  | 2.05             | 4.1  | 0.22 x 0.44            | 5.2                      |
| 250       | 160          | FS250PR        | 20.8/10.4   | 3.9                | 6.4 | 4.3  | 2.52             | 3.7  | 0.22 x 0.44            | 7.1                      |
| 350       | 250          | FS350PR        | 29.2/14.6   | 3.9                | 7.2 | 4.3  | 2.52             | 4.9  | 0.22 x 0.44            | 9.4                      |
| 500       | 300          | FS500PR        | 41.7/20.8   | 4.6                | 7.2 | 4.6  | 3.3              | 4.5  | 0.31 x 0.81            | 13.2                     |

Primary and Secondary voltage links/jumpers supplied standard with all transformers.

Special voltages and VA sizes available upon request.

\* See page 10 for dimensional drawings.

All dimensions in inches



# HPS Fusion™

General Purpose Enclosed  
Transformer



## Group I

Primary Voltage: 208 x 416 || 200 x 400 || 190 x 380  
Secondary Voltage: 120 x 240 || 115 x 230 || 110 x 220



50/60 Hertz

| VA Rating | CE VA Rating | Catalog Number | Output Amps | Overall Dimensions |     |      | Mounting Centers |      | Mounting Slot<br>G X H | Approx. Ship Weight Lbs. |
|-----------|--------------|----------------|-------------|--------------------|-----|------|------------------|------|------------------------|--------------------------|
|           |              |                |             | A                  | B   | C    | D                | E    |                        |                          |
| 50        | 50           | FS50SP         | 0.42/0.21   | 2.7                | 5.9 | 3.33 | 1.66             | 3.69 | 0.22 x 0.44            | 2.4                      |
| 100       | 100          | FS100SP        | 0.83/0.42   | 3.09               | 6.1 | 3.6  | 2.05             | 3.35 | 0.22 x 0.44            | 3.9                      |
| 150       | 150          | FS150SP        | 1.25/0.63   | 3.09               | 6.9 | 3.6  | 2.05             | 4.1  | 0.22 x 0.44            | 5.2                      |
| 250       | 160          | FS250SP        | 2.08/1.04   | 3.9                | 6.6 | 4.3  | 2.52             | 3.9  | 0.22 x 0.44            | 7.7                      |
| 350       | 250          | FS350SP        | 2.92/1.46   | 3.9                | 7.2 | 4.3  | 2.52             | 4.9  | 0.22 x 0.44            | 9.5                      |
| 500       | 300          | FS500SP        | 4.17/2.08   | 4.6                | 7.2 | 4.6  | 3.3              | 4.5  | 0.31 x 0.81            | 13.3                     |
| 750       | 500          | FS750SP        | 6.25/3.13   | 5.6                | 7.2 | 5.1  | 4                | 4.5  | 0.31 x 0.81            | 18.2                     |
| 1000      | 650          | FS1000SP       | 8.33/4.17   | 5.6                | 8   | 5.1  | 4                | 5.3  | 0.31 x 0.81            | 22.5                     |
| 1500      | 1000         | FS1500SP       | 12.5/6.25   | 6.6                | 8.5 | 6    | 5.1              | 5.1  | 0.31 x 0.81            | 30.1                     |

Primary and Secondary voltage links/jumpers supplied standard with all transformers.  
Special voltages and VA sizes available upon request.

All dimensions in inches

\* See page 10 for dimensional drawings.

## GROUP J

Primary Voltage: 208 x 416 || 200 x 400 || 190 x 380  
Secondary Voltage: 12 x 24 || 11.5 x 23 || 11 x 22



50/60 Hertz

| VA Rating | CE VA Rating | Catalog Number | Output Amps | Overall Dimensions |     |      | Mounting Centers |      | Mounting Slot<br>G X H | Approx. Ship Weight Lbs. |
|-----------|--------------|----------------|-------------|--------------------|-----|------|------------------|------|------------------------|--------------------------|
|           |              |                |             | A                  | B   | C    | D                | E    |                        |                          |
| 50        | 50           | FS50SR         | 4.17/2.08   | 2.7                | 5.9 | 3.33 | 1.66             | 3.69 | 0.22 x 0.44            | 2.4                      |
| 100       | 100          | FS100SR        | 8.33/4.17   | 3.09               | 6.1 | 3.6  | 2.05             | 3.35 | 0.22 x 0.44            | 4                        |
| 150       | 150          | FS150SR        | 12.5/6.25   | 3.09               | 6.9 | 3.6  | 2.05             | 4.1  | 0.22 x 0.44            | 5.2                      |
| 250       | 160          | FS250SR        | 20.8/10.4   | 3.9                | 6.6 | 4.3  | 2.52             | 3.9  | 0.22 x 0.44            | 7.7                      |
| 350       | 250          | FS350SR        | 29.2/14.6   | 3.9                | 7.2 | 4.3  | 2.52             | 4.9  | 0.22 x 0.44            | 9.5                      |
| 500       | 300          | FS500SR        | 41.7/20.8   | 4.6                | 7.2 | 4.6  | 3.3              | 4.5  | 0.31 x 0.81            | 13.3                     |

Primary and Secondary voltage links/jumpers supplied standard with all transformers.  
Special voltages and VA sizes available upon request.

All dimensions in inches

\* See page 10 for dimensional drawings.





Hammond Power Solutions Inc.

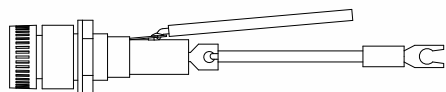
## OPTIONAL ACCESSORIES

### FUSE HOLDER KIT

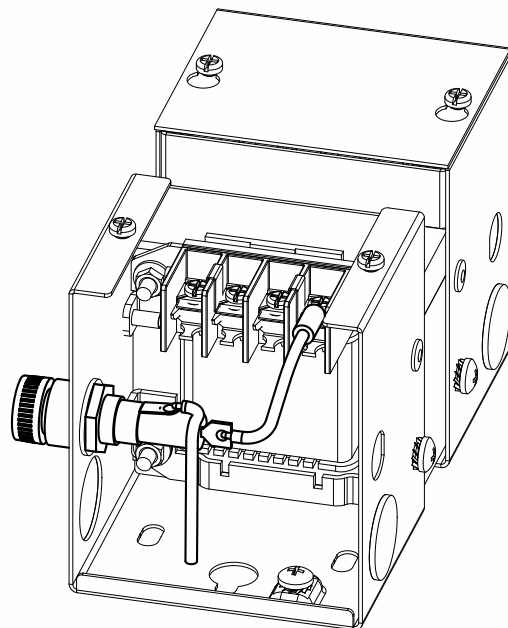
This general purpose enclosed transformer optional fuse holder kit is specifically designed to provide circuit protection up to a maximum of 20 amps and up to 250V. The fuse holder kit is supplied with leads for easy hook-up and is easy to install. Fuses are NOT supplied with this kit. Fuses should be selected in accordance with CSA, UL and local electrical codes.

(Note: Fuse holder is designed to accept 1/4" x 1 1/4" fuses)

| Part Number | Applicable Transformer Part Number Suffix's | Applicable Specifications   |
|-------------|---|---|
| FSFH1       | All   | Up to 20 amps and 250V<br>Designed to accept 1/4" x 1 1/4" fuse sizes |



**Fuse Holder Kit**  
(Optional)



**Sample Assembly Drawing for  
Optional Fuse Holder Installation**

For detailed installation instructions of HPS Fusion transformers or the optional fuse kits, please visit our website under Products and Services - Literature & Resources - Instruction Sheets - Control Transformers.

Or go to the following link: [http://www.hammondpowersolutions.com/products/product\\_literature/instruction\\_sheets/control\\_transformers.php](http://www.hammondpowersolutions.com/products/product_literature/instruction_sheets/control_transformers.php)

# HPS Fusion™

General Purpose Enclosed  
Transformer

## DIMENSIONAL DRAWINGS

FIGURE A

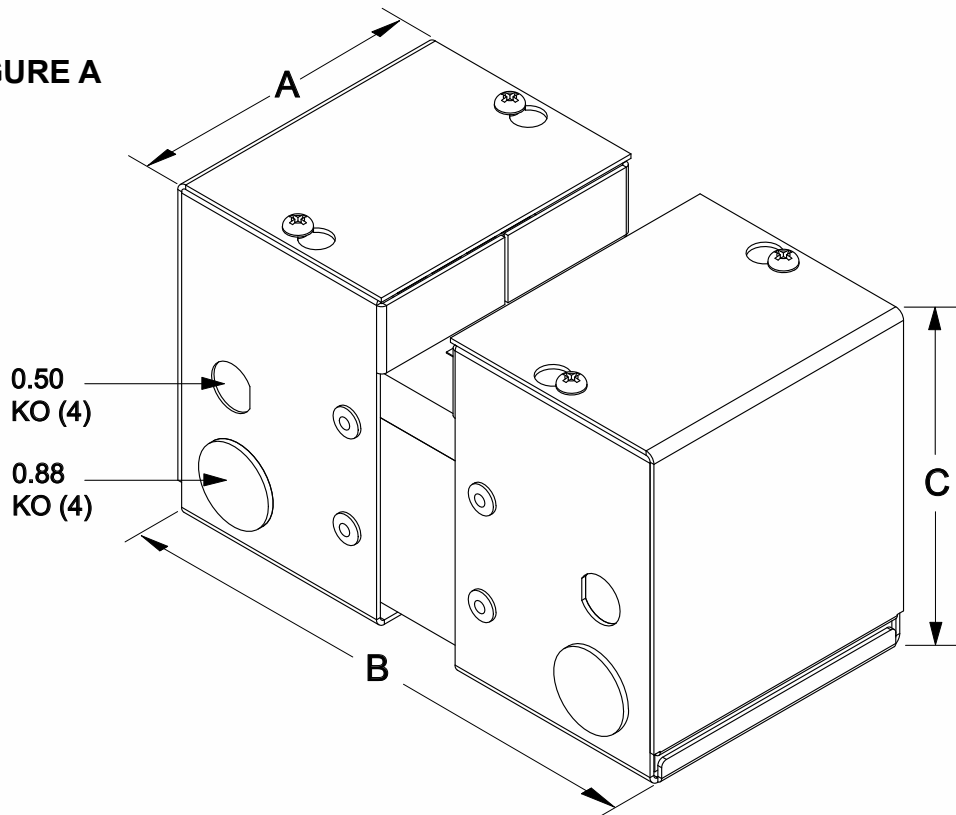
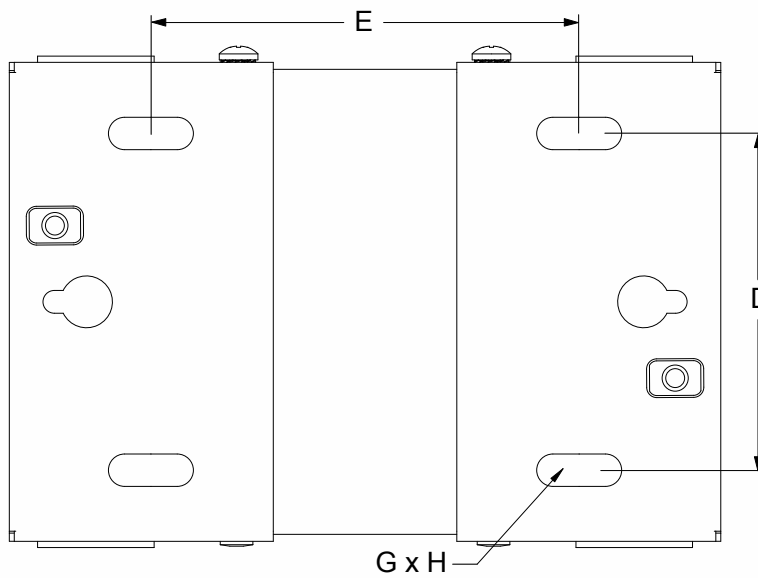


FIGURE B





Hammond Power  
Solutions Inc.

## **OTHER CUSTOM PRODUCTS**

HPS is one of the industry's most technically capable manufacturers producing the broadest and most competitive range of custom dry-type transformers and related magnetic products in North America. Our designs are cost effective and our transformers are built with modern manufacturing techniques. We emphasize our Value Added Engineering whereby our design staff will interface with your team to produce the optimum transformer. Our 3-D modelling design and CAD facilities permits quick and effective communication when time is vital.

HPS can provide custom control transformers to fit your design style requirements for most standard or specialty applications. From custom medium voltage to potted control, HPS has the engineering and manufacturing resources to deliver your custom control transformer how you want it and when you need it. Contact your HPS sales representative or the HPS sales department directly at: [sales@hammondpowersolutions.com](mailto:sales@hammondpowersolutions.com)



**Custom Open Core  
& Coil Control**



**Medium Voltage  
Control**



**Enclosed Potted  
Control**

# HPS Fusion™

General Purpose Enclosed  
Transformer



## CANADA

595 Southgate Drive  
Guelph, Ontario N1G 3W6  
Tel: (519) 822-2441  
Fax: (519) 822-9701  
Toll Free: 1-888-798-8882

## UNITED STATES

1100 Lake Street  
Baraboo, Wisconsin 53913-2866  
Tel: (608) 356-3921  
Fax: (608) 355-7623  
Toll Free: 1-866-705-4684

E-mail: [sales@hammondpowersolutions.com](mailto:sales@hammondpowersolutions.com)

Distributed by:



[www.hammondpowersolutions.com](http://www.hammondpowersolutions.com)

*Scan this QR code with your  
smartphone to view additional  
information on the HPS Fusion™.*

Literature No.: FUSENC  
Issue Date: September 2012