

**Fire-Rated Poke-Throughs**  
**SystemOne Recessed**  
**4-Inch Diameter Core Hole**



**Features**

- One 3/4" EMT for Power, Two 1/2" EMT for Low Voltage - not used
- S1R4CVRNKL, Satin Nickel Plated Cover Included
- S1R4SPQUAD sub-plate Included
- Junction Box Included

**Ordering Information**

- Fire-Rated Poke-Through with Installed Quadplex
- Requires Cover for Complete Installation

Catalog Number	UPC Number	Cover Series	Core Hole Diameter
S1R4PTQUAD	783585445977	S1R4CVR	4-Inch

Minimum Deck Thickness	Connection Type
2.25" Over Metal Deck	Recessed

**Standards**

cULus & ULC Listed  
 UL scrub water compliant  
 ADA Compliant

**Specifications**

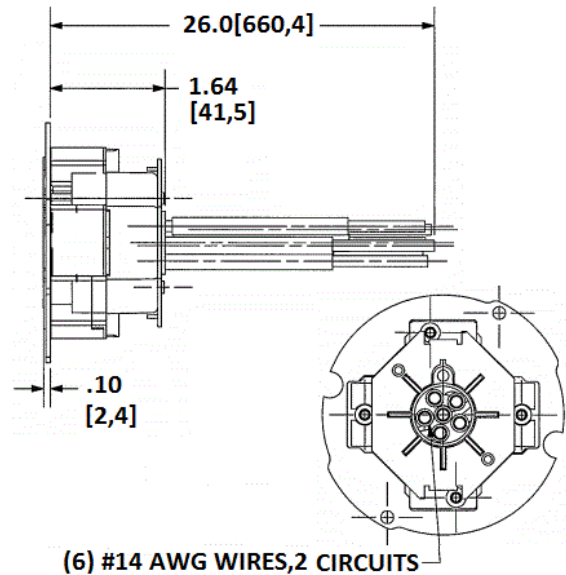
Cover load rating	1000 lbs. static load through 3" diameter mandral
Access cover material (ordered separately)	Die cast aluminum
Fire Rating	1 - 2 Hour Fire Rating

**Accessories**

4" Pre-Pour Tube, removed need for core hold drilling **S1R4PPT**

**Online Resources**

Customer Use Drawing  
 eCatalog  
 Installation Instructions



Dimensions in Inches (mm)

Hubbell Wiring Device-Kellems • Hubbell Incorporated (Delaware) • 40 Waterview Drive • Shelton, CT 06484

Phone (800) 288-6000 • Fax (800) 255-1031 • Specifications subject to change without notice.

