

WATERSHED FREE-STAND, TYPE 4X

INDUSTRY STANDARDS

 UL 508A Listed; Type 4, 4X, 12; File Number E61997
 cUL Listed per CSA C22.2 No 94; Type 4, 4X, 12; File Number E61997

 NSF 169
 NEMA/EEMAC Type 4, 4X, 12
 IEC 60529, IP66

APPLICATION

The Hoffman WATERSHED stainless steel free-stand enclosure, with its unique design and Type 4X rating, is a perfect fit for mounting electrical or high-tech electronic equipment in a variety of indoor and outdoor settings. Its unique features are specifically designed for use in sanitary washdown production environments like food, beverage, or pharmaceutical processing. However, these same features also are useful in petrochemical plants, pulp and paper facilities and wastewater treatment plants.

SPECIFICATIONS

- Manufactured from 12 gauge Type 304 stainless steel
- Seams continuously welded and ground smooth
- Smooth Type 304 stainless steel lift-off bullet-style hinges
- Hinges are shielded by cover edges
- Hinged side of cover has provisions to allow direct flushing of hinge area
- 20-degree sloped top facilitates runoff of water and cleaning solutions and prohibits the placement of objects on the top of the enclosure
- 170-degree door opening
- Door edges are sloped 20 degrees at top and bottom edges to facilitate runoff
- Slanted flange trough collar prohibits pooling of fluids along the top edge of the enclosure opening
- Three-point latching operated by POWERGLIDE Type 316L padlocking stainless steel handles
- Seamless foam-in-place one-piece gasket provides oil-tight and dust-tight seal against contaminants
- Bonding provision on doors; grounding studs on body
- Accessory mounting channel provided in enclosure top
- Panel studs fit optional NEMA style panels
- Mounting holes in bottom of enclosure for direct mounting or for optional sanitary legs and stainless steel floor stands
- Furnished hardware kit consists of panel mounting nuts, grounding hardware and hole seals for mounting holes

FINISH

Stainless steel enclosures are unpainted. External surfaces have a #4 brushed finish. Optional mild steel panels are painted white. Optional conductive panels are available.

ACCESSORIES

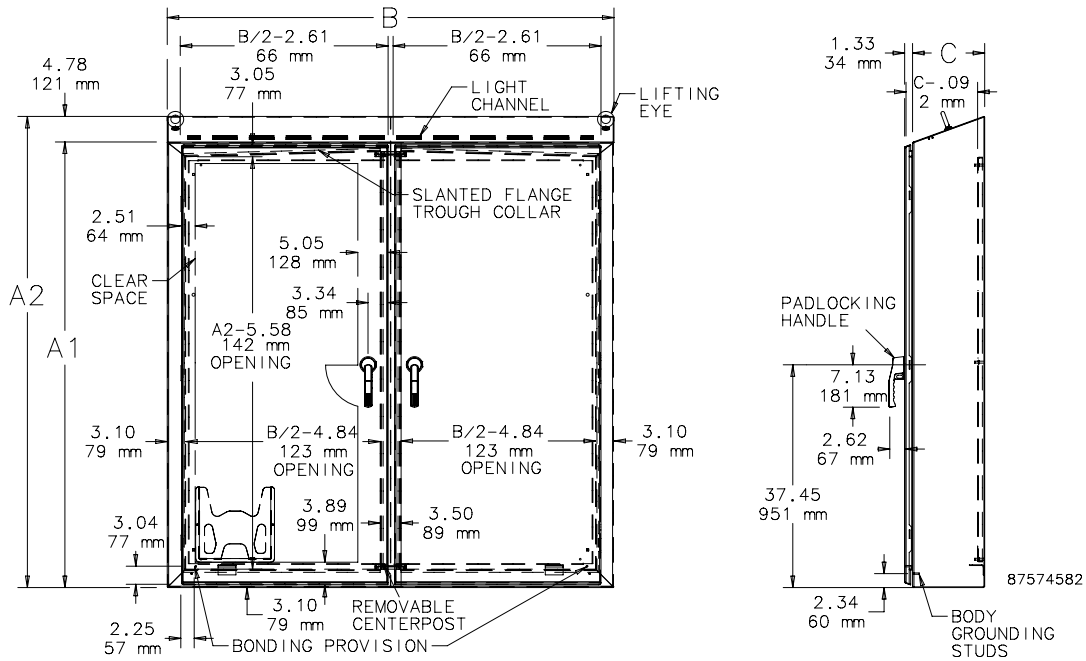
Industrial Corrosion Inhibitors
 PANELITE Enclosure Lights
 Panels for Type 3R, 4, 4X, 12 and 13 Enclosures

BULLETIN: WS2
Standard Product

Catalog Number	AxBxC in./mm	A1 in./mm	A2 in./mm	B in./mm	C in./mm	Panel	Conductive Panel
WS625112SS	62.00 x 51.00 x 12.00	62.81	67.20	51.09	12.12	A60P48	A60P48G
	1575 x 1295 x 305	1595	1700	1298	308		
WS625118SS	62.00 x 51.00 x 18.00	62.81	69.38	51.09	18.12	A60P48	A60P48G
	1575 x 1295 x 457	1595	1700	1298	460		
WS626312SS	62.00 x 63.00 x 12.00	62.81	67.20	63.09	12.12	A60P60	A60P60G
	1575 x 1600 x 305	1595	1700	1602	308		
WS626318SS	62.00 x 63.00 x 18.00	62.81	69.38	63.09	18.12	A60P60	A60P60G
	1575 x 1600 x 457	1595	1700	1602	460		
WS746312SS	74.00 x 63.00 x 12.00	74.81	79.20	63.09	12.12	A72P60	A72P60G
	1880 x 1600 x 305	1900	2012	1602	308		
WS746318SS	74.00 x 63.00 x 18.00	74.81	81.38	63.09	18.12	A72P60	A72P60G
	1880 x 1600 x 457	1900	2067	1602	460		
WS747512SS	74.00 x 75.00 x 12.00	74.81	79.20	75.09	12.12	A72P72	A72P72G
	1880 x 1905 x 305	1900	2012	1907	308		
WS747518SS	74.00 x 75.00 x 18.00	74.81	81.38	75.09	18.12	A72P72	A72P72G
	1880 x 1905 x 457	1900	2067	1907	460		
WS747524SS	74.00 x 75.00 x 24.00	74.81	83.57	75.09	24.12	A72P72	A72P72G
	1880 x 1905 x 610	1900	2123	1907	613		

A x B x C are nominal dimensions.

Purchase panels separately.



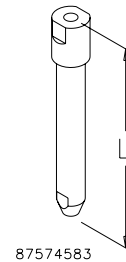
SANITARY LEG KITS



Sanitary Leg Kits provide space between the enclosure and the floor for better washdown accessibility. Available with fixed or independently adjustable legs. Adjustable leg shown. Four legs per kit. Maintains NEMA Type 4X rating when properly installed on a Hoffman Type 4X enclosure.

BULLETIN: WSY

Catalog Number	Description	Size L (in.)	Size L (mm)
WSASLKSS	Adjustable Sanitary Leg Kit	11.50-12.50	292-318
WSFSLKSS	Fixed Sanitary Leg Kit	12.00	305



FLOOR STAND KIT, STAINLESS STEEL

Use to raise free-stand enclosure. To install, drill holes in the bottom of the enclosure and bolt the floor stands to the enclosure. Each kit includes two stands. Type 304 stainless steel. Maintains UL/cUL Type 4X rating when properly installed on a Hoffman Type 4X enclosure.

BULLETIN: A4SY

Catalog Number	H (in.)	H (mm)	C (in.)	C (mm)	L (in.)	L (mm)
AFK0612SS	6.00	152	12.06	306	9.09	231
AFK0618SS	6.00	152	18.06	459	9.09	231
AFK0624SS	6.00	152	24.06	611	9.09	231
AFK1212SS	12.00	305	12.06	306	9.09	231
AFK1218SS	12.00	305	18.06	459	9.09	231
AFK1224SS	12.00	305	24.06	611	9.09	231
AFK1812SS	18.00	457	12.06	306	9.09	231
AFK1818SS	18.00	457	18.06	459	9.09	231
AFK1824SS	18.00	457	24.06	611	9.09	231
AFK2412SS	24.00	610	12.06	306	9.09	231
AFK2418SS	24.00	610	18.06	459	9.09	231
AFK2424SS	24.00	610	24.06	611	9.09	231

