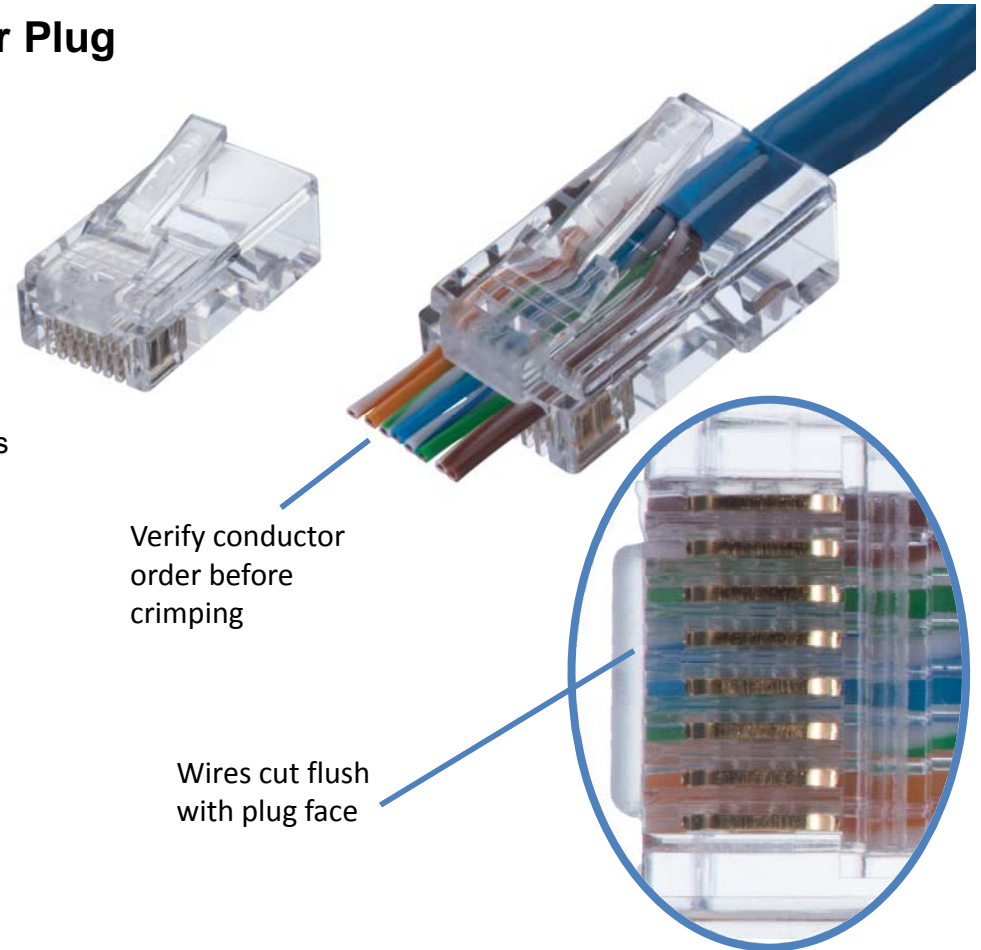




## Feed-Thru CAT5e RJ-45 8P8C Modular Plug

Feed-Thru connectors simplify modular plug terminations by allowing the user to verify wire order and conductor length before crimping the connectors to the cables. Simpler assembly, no wasted connectors.

- Feed-thru design for wire order verification before crimping
- Flush cut of wires to the face of the connector when used with 30-495 crimp tool
- 50 $\mu$  gold plated contacts to minimize wear on individual contacts
- 3 prong contacts for secure connection to each wire
- Designed for 100MHz application compatibility (CAT5e)
- Fits cables up to .270" jacket diameter
- Fits most cables with 24 AWG solid/stranded conductors
- Compatible with 23 AWG solid conductors (CAT6) cables up to 0.041" diameter conductors
- Recommended IDEAL cable jacket prep tool: 45-605
- Recommended crimp tools: 30-495
- Connectors can be crimped with a standard tool. Wire ends will not be cut with standard tool and must be cut manually.



Part No.	Qty
85-370	25/Card
85-371	50/Card
85-342	100/Bag

**Also available:**



CAT6 Feed-Thru



30-495



45-605