

Fire-Rated Poke-Throughs  
SystemOne Recessed  
6-Inch Diameter Core Hole

# HUBBELL

### Features

- One 3/4" EMT for Power, One 2" EMT for Low Voltage
- S1R6CVRBRS, Brass Plated Cover Included
- S1R6SPW, S1R6SPZ Sub-Plates Included
- Junction Box Included

### Ordering Information

- Fire-Rated Poke-Through Fitting, Sub-Plates and Cover
- Cover and Sub-Plates Installed Onsite

Catalog Number	UPC Number	Cover Series	Core Hole Diameter
S1R6PTWZBRS	783585443294	S1R6CVR	6-Inch

Minimum Deck Thickness	Connection Type
2.25" Over Metal Deck	Recessed

### Standards

cULus & ULC Listed  
UL scrub water compliant  
ADA Compliant

### Specifications

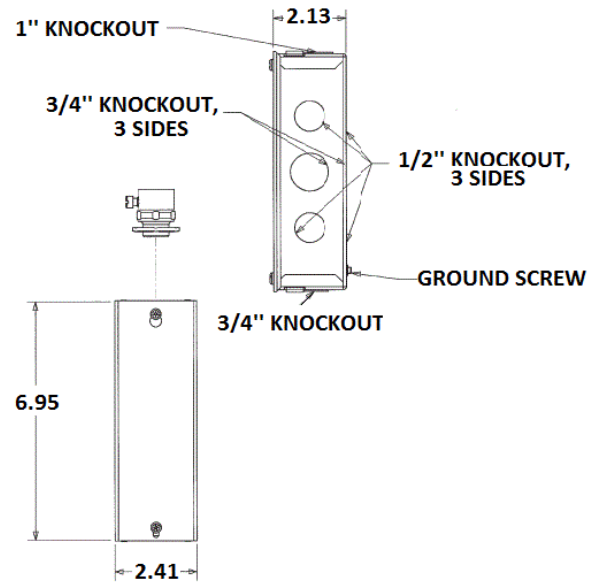
Cover load rating	1000 lbs. static load through 3" diameter mandral
Access cover material	Die cast aluminum
Fire Rating	1 - 2 Hour Fire Rating

### Accessories

6" Pre-Pour Tube, removed need for core hold drilling **S1R6PPT**

### Online Resources

Customer Use Drawing  
eCatalog  
Installation Instructions



Dimensions in Inches (mm)

Hubbell Wiring Device-Kellems • Hubbell Incorporated (Delaware) • 40 Waterview Drive • Shelton, CT 06484

Phone (800) 288-6000 • Fax (800) 255-1031 • Specifications subject to change without notice.

