

Straight Blade Devices

50A, 125/250V, 3 Pole, 4 Wire Grounding

Residential Single Receptacle

HUBBELL

Features

- Sequenced contacts assure protection
- Catalog number, ratings and certifications molded in face
- One piece design power and ground contacts

Ordering Information

Description	Color	UPC Number	Catalog Number
Flush Mount Receptacle	White	883778100765	RR450FW

Listings

UL Listed
NEMA Rating 14-50R

Specifications

Housing	Plastic
Contacts	Brass
Ground Shunt	Brass
Mounting Plate	Zinc-Plated Steel
Box Terminals	Tin-Plated Aluminum

Performance

Electrical	
Current Interrupting	Certified for current interrupting at full rated current
Dielectric Voltage	Withstands 2000V AC minimum for 1 minute

Mechanical

Product Identification	Ratings are a permanent part of the device
Terminal Accommodation	#10 AWG through #4 AWG copper wire only
Terminal Identification	Terminals identified in accordance with UL 498 and CSA

Environmental

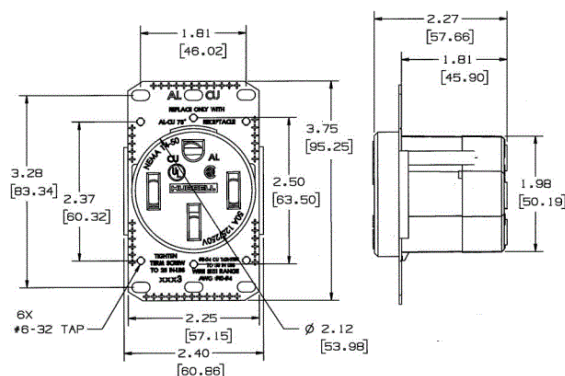
Flammability	UL 94 V-0
IP Suitability	IP20
Operating Temperature	Maximum continuous 75°C; minimum -40°C (w/o impact)

Complementary Products

Wallplate or Weatherproof Cover 2.48"
Opening

Online Resources

eCatalog



Dimensions in Inches (mm)

Hubbell Wiring Device-Kellems • Hubbell Incorporated (Delaware) • 40 Waterview Drive • Shelton, CT 06484

Phone (800) 288-6000 • Fax (800) 255-1031 • Specifications subject to change without notice.

