

H-MOSS® Controls
Protective enclosure for passive infrared ceiling
mount sensor
Ceiling Accessories

HUBBELL

Features

- NEMA 4X enclosure
- Designed to provide protection from foreign materials and water

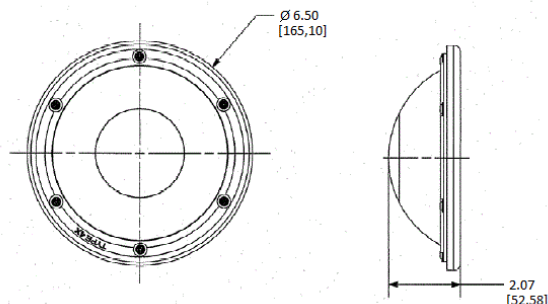
Ordering Information

Description	Device Color	UPC Number	Catalog Number
Ceiling sensor infrared NEMA 4X enclosure	Office White	783585158594	ACIPE



Specifications

Base	Plastic
Dimensions	6.5" diameter, 2" height



Online Resources

Customer Use Drawing
eCatalog

Dimensions in Inches (mm)

Hubbell Wiring Device-Kellems • Hubbell Incorporated (Delaware) • 40 Waterview Drive • Shelton, CT 06484

Phone (800) 288-6000 • Fax (800) 255-1031 • Specifications subject to change without notice.

