

CATALOG NO	ACCOMMODATES		FIG	DIMENSIONS						INSTALLATION TOOLING (# CRIMPS)					DIELESS (# CRIMPS)	WIRE STRIP LENGTH	
	AL: CLASS B CU: CLASS B, C	COPPER FLEX		B	LL	L	O.D	O.D.P	P	DIE INFORMATION		HYDRAULIC		MECHANICAL			
										COLOR CODE	DIE INDEX	35, 750 SERIES	46 SERIES	DIE INDEX			MD6
AYP6	#6 AWG	#8 AWG CLASS I, DLO	1	1.00 [25]	2.03 [52]	1.85 [47]	0.60 [15]	0.23 [6]	0.69 [17]	TAN	296	U25ART (1)	241	W241 (2)	644 (1) 444 (1) 81KFT (1)	1-1/16"	
AYP4	#4 AWG	#6 AWG CLASS I, DLO	1														
AYP2	#2 AWG	#4 AWG CLASS I, DLO	1														
AYP1	#1 AWG	#2 AWG CLASS I, DLO	1														
AYP1/0	1/0 AWG	#1 AWG CLASS I, DLO	1														
AYPO2/0	2/0 AWG	1/0 AWG CLASS I, DLO	2	1.11 [28]	2.44 [62]	2.70 [69]	.86 [22]	0.23 [6]	1.09 [28]	WHITE	298	U28ART (2)	600	W660 (4)	644 (1) 444 (1) 81KFT (2)	1-1/8"	
AYPO3/0	3/0 AWG	2/0 AWG CLASS I, DLO	2														
AYPO4/0	4/0 AWG	3/0 AWG CLASS I, DLO	2														
AYP250	250 KCMIL	4/0 AWG, CLASS I, DLO	1														
AYPO250	250 KCMIL	4/0 AWG, CLASS I, DLO	2														
AYPO300	300 KCMIL	262 KCMIL DLO	2	1.07 [27]	2.88 [65]	3.08 [78]	1.10 [28]	0.53 [14]	1.34 [34]	BROWN	299	U31ART (2)	600	W660 (4)	644 (1) 444 (1) 81KFT (2)	1-1/8"	
AYP350	350 KCMIL	313 KCMIL DLO	1														
AYPO350	350 KCMIL	313 KCMIL DLO	2														
AYPO400	400 KCMIL	--	2														
AYP500	500 KCMIL	373 KCMIL DLO	1														
AYPO500	500 KCMIL	373 KCMIL DLO	2	1.59 [40]	4.06 [103]	3.79 [96]	1.46 [37]	0.81 [21]	1.76 [45]	YELLOW	936 HEX	U39ART (3)	600	W660 (4)	644 (1) 444 (1) 81KFT (3)	1-3/4"	
AYP750	750 KCMIL	535 KCMIL DLO	1														
AYPO750	900 KCMIL CMPT	535 KCMIL DLO	2														
AYPO600	600 KCMIL	444 KCMIL DLO	2														
AYPO900	900 KCMIL	--	2														
				2.17 [55]	4.12 [105]	4.27 [108]	1.50 [38]	0.91 [23]	1.82 [46]	GREY	303	U42ART (4)	600	W660 (4)	644 (2) 444 (2)		

REV	DATE	DESCRIPTION	ECO	BY	C'H'K.
A	08/23/2019	NEW DRAWING	51934	JL	BE

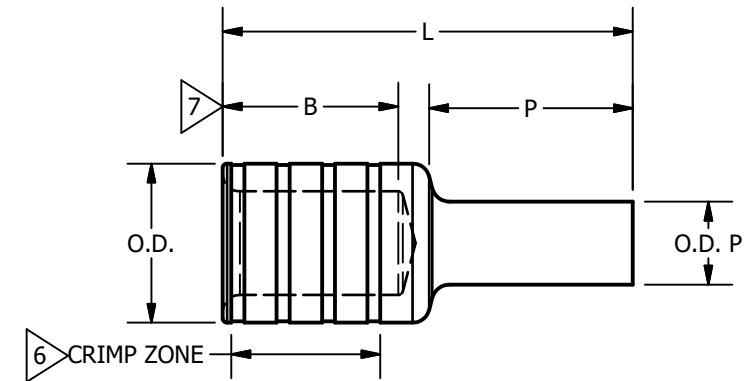


FIGURE 1

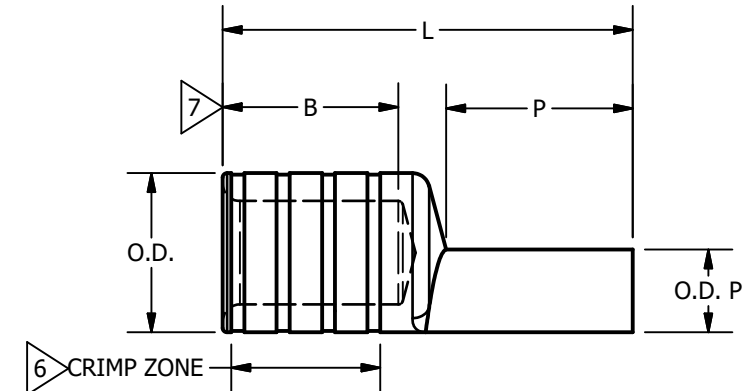
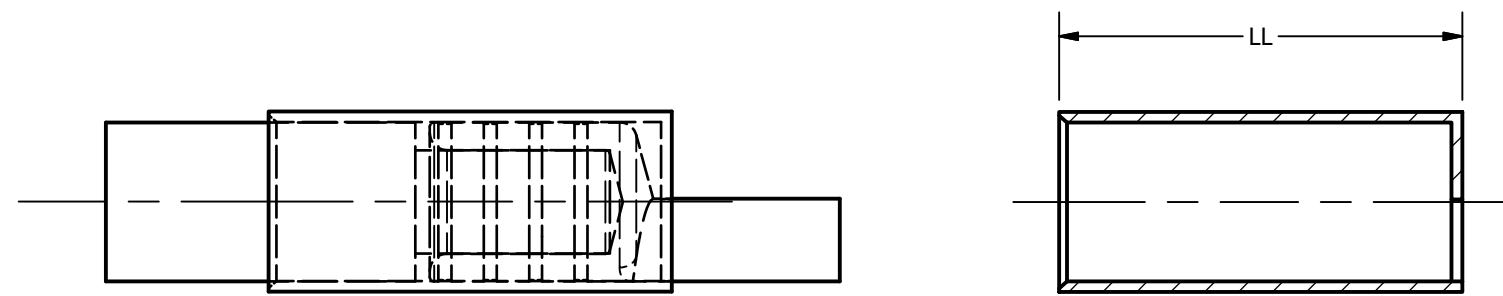


FIGURE 2



VIEW AFTER INSTALLATION

NOTES:

- MATERIAL: CONNECTOR - ALUMINUM
INSULATION COVER -
AYP6 - AYP500 = E.P.D.M (SEE SA76839)
AYPO600 - AYPO900 = SANTOPRENE
- FINISH: TIN PLATED (CONNECTOR ONLY)
- BARREL IS PARTIALLY FILLED WITH PENETROX A13™
- SCRATCH BRUSHING OF ALL CONDUCTORS BEFORE MAKING INSTALLATION IS RECOMMENDED
- CATALOG # PUADP-1 ADAPTOR IS REQUIRED TO USE "U" DIES IN Y46 SERIES TOOLS
- OVERLAP CRIMPS SO THAT COMPRESSION COVERS ENTIRE CRIMP ZONE
- CONDUCTOR INSERTION LENGTH MINIMUM
- DIMENSIONS IN BRACKETS [] ARE IN MILLIMETERS ROUNDED OFF TO THE NEAREST MILLIMETER, UNLESS OTHERWISE NOTED, AND ARE FOR REFERENCE ONLY
- NOT CSA APPROVED FOR USE WITH COPPER CONDUCTOR
- NOT UL LISTED OR CSA CERTIFIED WITH THIS TOOLING
- USE PAT644 OR PAT444 SERIES DIELESS HYPRESS™ WHEN INSTALLING 900 KCMIL COMPACT ALUMINUM

TO ORDER BURNDY® PRODUCTS CALL		HYPLUG™, COMPRESSION EQUIPMENT ADAPTOR	
UNITED STATES 1-800-346-4175 (LONDONDERRY, NH)		ITEM NO: N/A	
CANADA: 1-800-361-6975 (QUEBEC) 1-800-387-6487 (ALL OTHER PROVINCES)		CAT. NO: AYP/ AYPO (SEE TABLE)	
FOR PRODUCT INFO: http://www.burndy.com		DRAWN BY: JL BERGERON 8/23/2019	
		CHECKER: B. ELLIS 8/23/2019	
		DSN APRVL: R. ROMAN 9/30/2019	
		MFG APRVL: []	
		QA APRVL: T. WATTS 9/26/2019	
		MKT APRVL: B. MICHAUD 9/26/2019	
		PROD FAM: []	
		DRAWING NO	
		50103891	
		REV	
		A	