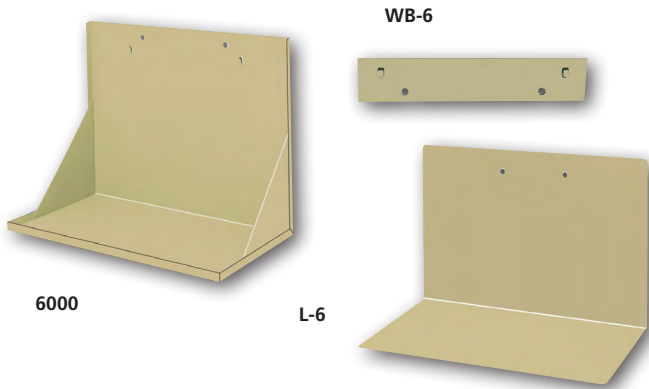


# UNITS ACCESSORIES

BATTERY PACKS

## Mounting Brackets and Shelves

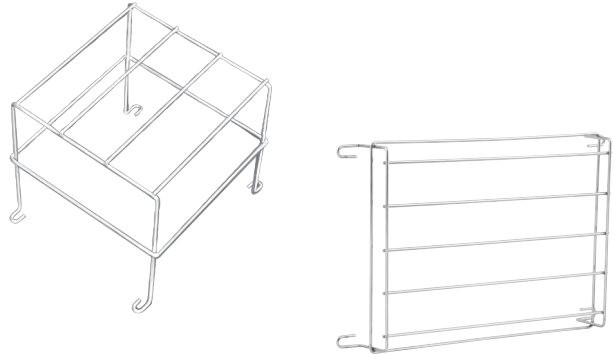
For mounting of AS Series industrial emergency lighting units.



MOUNTING BRACKETS AND SHELVES		
CAT. NO.	TYPE	DIMENSIONS
WB-6	Bracket: use with any AS model	--
6000	Shelf: use with AS180 through AS360	11" H x 14" L x 8 1/8" D
L-6	Shelf: use with AS80 or AS130 only	11" H x 14" L x 8 1/8" D

## Wire Guards

Offered for most Dual-Lite emergency lights and exits. Constructed of heavy gauge steel, all wire guards are standard with chrome plating. Order as separate line item.



WIRE GUARDS		
CAT. NO.	FOR USE WITH	DIMENSIONS (INSIDE)
WGLZ	LZ Series (except High-Capacity models).	6 1/4" H x 14" L x 4" D
S6WG	Single remote heads.	8" H x 8" L x 8" D
WGEL	EZ-2, EZ-2R, LZ25D and LZ30 and CV Series units. Twin remote heads.	8" H x 20" L x 8" D
40G	LM Series with top mounted heads and NYXC tandem exits. AS Series, N4X Series and CVEC Series (15 and 30 watt models) units.	18 1/2" H x 20" L x 12" D
41G	Delite Cylinder Series and CVEC Series (50 and 100 watt models)	21" H x 23" L x 15" D
WGLX	EXT-122-EM-K units. Wall mount LX, LED and Sempra Series exits.	10" H x 14" L x 2 1/4" D
WGLXC	Ceiling mount LX, LED and Sempra exits	10 3/4" H x 13 3/4" L x 3 1/2" D
WGLXE	End mount LX, LED and Sempra exits	10 1/2" H x 14 1/2" L x 3 1/2" D
WGTW	Wall mount LT, Freedom LED, HCX, NYDC and NYX Series exits	16" H x 20" L x 7 7/8" D
WGTCE	Ceiling or end mount LT, HCX and Freedom LED Series exits. Ceiling mount NYDC and NYX Series exits	20" H x 15 1/2" L x 8" D
WG-MLT	Lite2 Series units. CMX Series exits	11 5/8" H x 13 5/8" L x 7" D

## Vandal Resistant Shields

For protection against vandalism or accidental damage. Prevents tampering with mountings and lamps.



VANDAL SHIELDS		
CAT. NO.	FOR USE WITH	DIMENSIONS
VRS VRS-4X*	EZ-2, EZ-2R, LZ, LZ High Capacity, and EXT-122-EM-K Series units.	20" L x 10 1/2" H x 7 3/4" D
VRS3	LX and Sempra Series exits.	15 1/2" L x 11 1/2" H x 4 1/2" D

\* VRS-4X supplied with a neoprene wall gasket