

Raceway  
Non-Metallic Raceway  
PB2 BaseTrak® Cover

# HUBBELL

## Features

- Cover allows access to multiple channels.
- Available in 5 ft. (1.5m) and 10 ft. (3m) lengths.

## Ordering Information

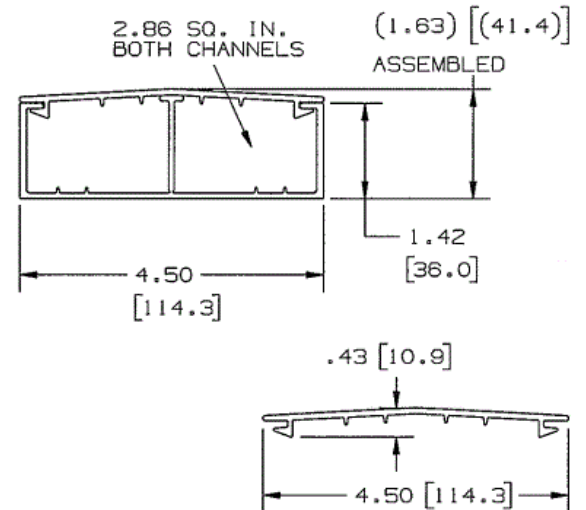
Description	Color	UPC Number	Catalog Number
Cover	Office White	783585310022	PB2C10

## Listings

UL Listed  
CSA Certified

## Specifications

Height	0.20"
Width	4.50"
Length	10'



## Online Resources

Customer Use Drawing  
eCatalog  
Installation Instructions

Dimensions in Inches (mm)

Hubbell Wiring Device-Kellems • Hubbell Incorporated (Delaware) • 40 Waterview Drive • Shelton, CT 06484

Phone (800) 288-6000 • Fax (800) 255-1031 • Specifications subject to change without notice.

