

Kellems® Wire Management Products
 Strain Relief for Liquidtight Conduit
 Liquidtight Conduit Grips

HUBBELL

Features

- Helps prevent conduit pull-out and damage at fitting
- Reduces equipment downtime

Ordering Information

| Description | Style | UPC | Catalog Number |
|---|-----------|--------------|----------------|
| Liquidtight Conduit, 45° Angle With Male Fitting | 45 Degree | 783585331850 | 074093446 |

Listings

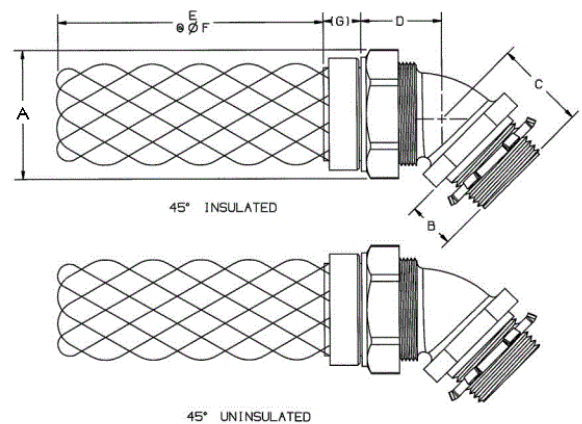
UL Listed
 CSA Certified

Specifications

| | |
|---------|-------------------|
| Strand | Stainless Steel |
| Body | Zinc plated iron |
| Seal | Nylon |
| Ferrule | Zinc plated steel |
| Locknut | Zinc plated steel |

Performance

| Environmental | |
|-----------------------|--|
| Flammability | UL 94-HB and UL 94-V2 |
| Hazardous Location | Suitable for use in hazardous locations per Class I, Div. 2, Class II, Div. 1 & 2, Class III, Div. 1 & 2 |
| Operating Temperature | -30°F to +225°F (-34°C to +107°C) |



Online Resources

Customer Use Drawing
 eCatalog

Dimensions in Inches (mm)

Hubbell Wiring Device-Kellems • Hubbell Incorporated (Delaware) • 40 Waterview Drive • Shelton, CT 06484

Phone (800) 288-6000 • Fax (800) 255-1031 • Specifications subject to change without notice.

