

Raceway
Non-Metallic Raceway
PW1 WallTrak® Low Profile (Latching)
External Elbow Cover

HUBBELL

Features

- For outside surfaces at right angles

Ordering Information

Description	Color	UPC Number	Catalog Number
External Elbow Cover	Office White	783585092041	PW1EE

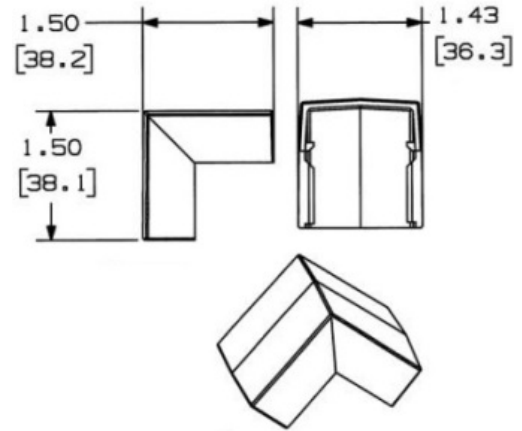


Listings

UL Listed
CSA Certified

Specifications

Height	1.43"
Width	1.50"
Length	1.50"



Online Resources

[Customer Use Drawing](#)
[eCatalog](#)
[Installation Instructions](#)

Dimensions in Inches (mm)

Hubbell Wiring Device-Kellems • Hubbell Incorporated (Delaware) • 40 Waterview Drive • Shelton, CT 06484

Phone (800) 288-6000 • Fax (800) 255-1031 • Specifications subject to change without notice.

