

H-MOSS® Controls Dual (Ultrasonic and Passive Infrared) Wall Mount Sensors

HUBBELL

Features

- Dual (ultrasonic and passive infrared), low voltage sensor with photo cell and isolated relay
- Coverage 1600 sq. ft.
- Adaptive technology - "Install and forget" operation
- 110° coverage provides complete room sensing when corner mounted
- Swivel mounting bracket included for wall or ceiling mounting

Ordering Information

Description	Device Color	UPC Number	Catalog Number
Low voltage sensor 32kHz with photocell and isolated relay	Office White	783585349213	ATD1600WRP

Listings

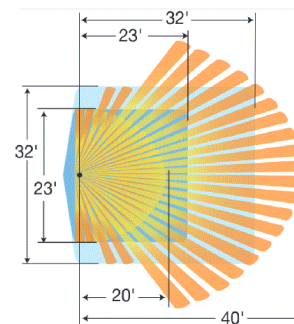
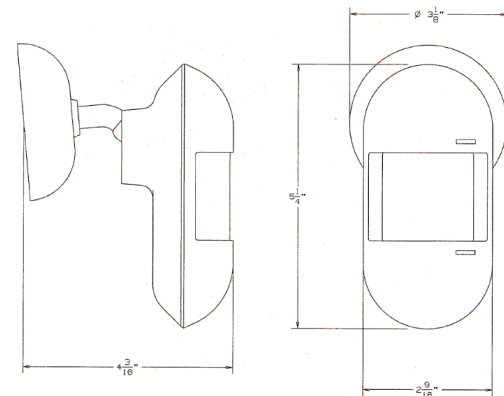
cULus listed to UL 244A
CEC Title 24 compliant
ASHRAE 90.1 compliant

Specifications

Housing	Flame retardant UL 94 V-0 ABS
Lens	Polyethylene
Dimensions	6"H x 2"W x 1.5"D
Mounting Height	8 to 12 feet

Performance

Controls	
Ambient Light	1 to 1000 foot candles
Sensitivity	Adaptive 0 to 100%
Time Delay	Test (8 seconds), adaptive 8 to 40 minutes
Electrical	
Isolated Relay	Normally open and normally closed, terminals available
Power Requirements	24V DC nominal, 33mA from Hubbell CU series control unit
Environmental	
Operating Temperature	32°F to 104°F (0°C to 40°C) with rate of change not exceeding 20°F (11°C) per hour
Storage Temperature	-20°F to 150°F (-29°C to 65°C); 0% to 95% non-condensing relative humidity
Sensing Indicators	
Passive Infrared	Red LED
Ultrasonic	Green LED



Minor Motion: ■ Ultrasonic ■ PIR Major Motion: ■ Ultrasonic ■ PIR

Complementary Products

CU300A	Control Unit Manual-ON
CU300M	Control Unit, HD, Latching, Auto/Manual-ON
CU300HD	Wall Switch Wire Guard

Online Resources

Customer Use Drawing
eCatalog
Installation Instructions

Dimensions in Inches (mm)

Hubbell Wiring Device-Kellems • Hubbell Incorporated (Delaware) • 40 Waterview Drive • Shelton, CT 06484

Phone (800) 288-6000 • Fax (800) 255-1031 • Specifications subject to change without notice.

