

Raceway
Non-Metallic Raceway
PW2 WallTrak® (Latching) Tee Base and
Cover

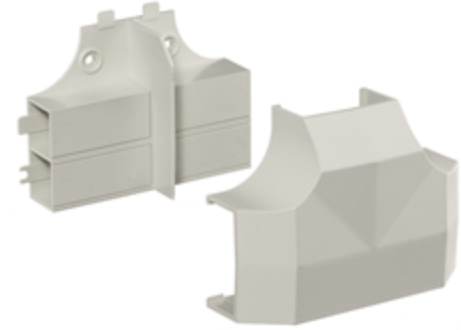
HUBBELL

Features

- Full capacity 1¼ in. bend radius external elbow.

Ordering Information

| Description | Color | UPC Number | Catalog Number |
|--------------------|--------------|--------------|----------------|
| Tee Base and Cover | Office White | 783585090740 | PW2TCBC |

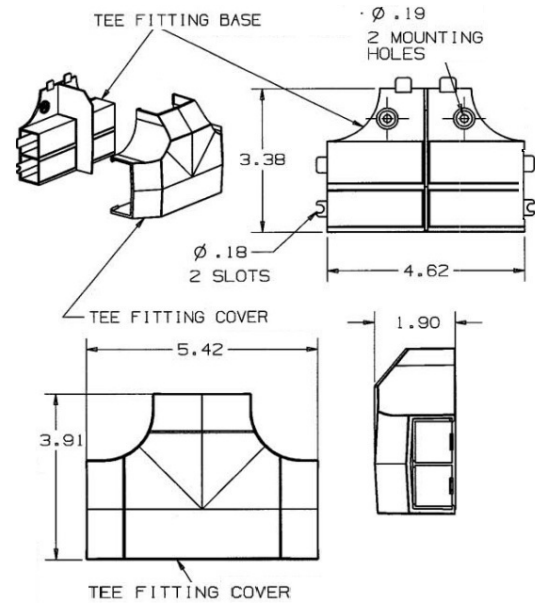


Listings

UL Listed
 CSA Certified

Specifications

| | |
|--------|-------|
| Height | 3.91" |
| Width | 5.42" |
| Length | 1.90" |



Online Resources

Customer Use Drawing
 eCatalog
 Installation Instructions

Dimensions in Inches (mm)

Hubbell Wiring Device-Kellems • Hubbell Incorporated (Delaware) • 40 Waterview Drive • Shelton, CT 06484

Phone (800) 288-6000 • Fax (800) 255-1031 • Specifications subject to change without notice.

