

Floor Boxes

Hubbell SystemOne Flush Systems

4 Inch Core Through Floor Fittings

HUBBELL

Features

- Available with integral power junction box
- Delivers power, voice, data and multimedia
- Excellent solution for retrofit and new construction

Ordering Information

Description	Device Color	UPC	Catalog Number
4X4 Through Floor	Aluminum	783585371399	S1PT4X4FIT

Listings

UL E31999 Listed
UL R8429 Listed

Specifications

Mounting	4 in. (101.6) cored concrete Dia. through hole
Min. floor thickness	2 1/4 in. (57.2)
Cover and flange	Powder coat cast aluminum
Approval	Approved for use in the City of Chicago

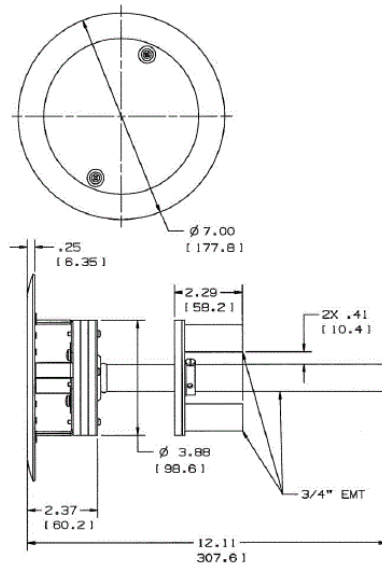
Performance

Electrical

Fire Resistance Rating 4-Hrs. (D900)

Mechanical

Max. Cu Cross Section 3/4 in. Power EMT .0307 sq. in.



Online Resources

Customer Use Drawing
eCatalog
Installation Instructions